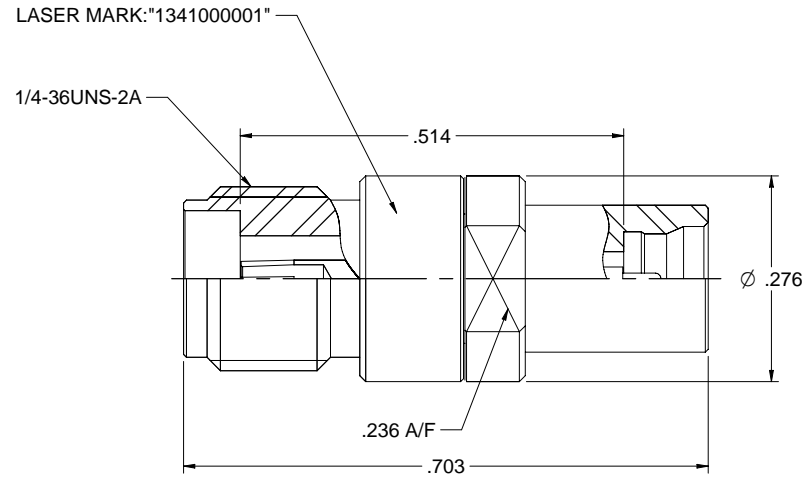


MODEL NO.	PACKAGING
134-1000-001	ONE PCS PER BAG

REV	ECO	DATE
001	ECO-11-0032	11/28/2017



NOTES: UNLESS OTHERWISE SPECIFIED

1. MATERIAL & FINISH:

- 1.1 BODY & CONTACT BODY: PASSIVATED STAINLESS STEEL
- 1.2 CONTACT PIN : GOLD PLATED BERYLLIUM COPPER
- 1.3 INSULATOR: PEEK NATURAL

2. ELECTRICAL:

- 2.1 IMPEDANCE: 50 OHMS
- 2.2 FREQUENCY RANGE: 0-40 GHz
- 2.3 VOLTAGE STANDING WAVE RATIO: 1.25 MAX
- 2.4 DIELECTRIC WITHSTANDING VOLTAGE: 500 VRMS MIN
- 2.5 CONTACT RESISTANCE:
  - 2.5.1 CENER CONTACT: 6 MILLIOHM MAX
  - 2.5.2 OUTER CONTACT: 2 MILLIOHM MAX
- 2.6 INSULATOR RESISTANCE: 5000 MEGOHM MIN

3. MECHANICAL:

- 3.1 ENGAGEMENT FORCE: 0.23NM MAX (SMK), 45 N MAX (SMP)
- 3.2 DISENGAGEMENT FORCE: 0.23NM MAX (SMK), 9N MIN (SMP)
- 3.3 CONTACT RETENTION: 22N MIN
- 3.4 DURABILITY: 500 CYCLES MIN.

4. ENVIRONMENT:

- 4.1 THERMAL SHOCK: MIL-STD-202, METHOD 107, CONDITION B.
- 4.2 OPERATING TEMPERATURE: -55TO 125°C
- 4.3 SALT SPRAY: MIL-STD-202, METHOD 101, CONDITION B
- 4.4 SHOCK: MIL-STD-202, METHOD 213, CONDITION I
- 4.5 VIBRATION: MIL-STD-202, METHOD 204, CONDITION D
- 4.6 MOISTURE RESISTANCE: MIL-STD-202, METHOD 106

	Model No. 134-1000-001	<b>Johnson</b>	
		Type: ADAPTER ASSEMBLY, SMP(Z:32mm) JACK TO SMP PLUG (LIMITED DETENT)	
	Drawing No. 134-1000-001	Rev. 001	Date: 10/10/2017
XXXX - 02 XXXXX - 01 ANGLES: 45°	Size C	DO NOT SCALE DRAWINGS	NONE