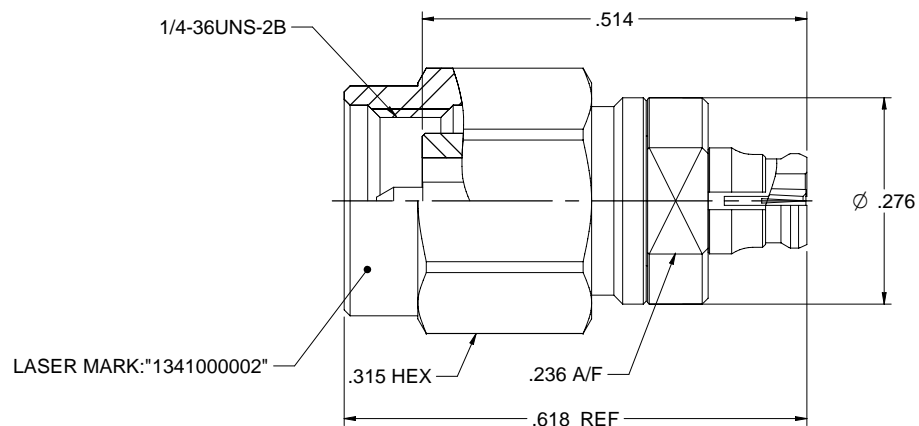


| REV | ECO | DATE |
|-----|------------|------------|
| 001 | ECO-17-002 | 11/28/2017 |
| | | |

| MODEL NO. | PACKAGING |
|--------------|-----------------|
| 134-1000-002 | ONE PCS PER BAG |



NOTES: UNLESS OTHERWISE SPECIFIED

1. MATERIAL & FINISH:

- 1.1 BODY & SHELL: PASSIVATED STAINLESS STEEL
- 1.2 RING, CONTACT PIN & CONTACT BODY : GOLD PLATED BERYLLIUM COPPER
- 1.3 INSULATOR: PEEK NATURAL
- 1.4 C RING: BERYLLIUM COPPER
- 1.5 GASKET: SILICONE RED

2. ELECTRICAL:

- 2.1 IMPEDANCE: 50 OHMS
- 2.2 FREQUENCY RANGE: 0-40 GHz
- 2.3 VOLTAGE STANDING WAVE RATIO: 1.25 MAX
- 2.4 DIELECTRIC WITHSTANDING VOLTAGE: 500 VRMS MIN
- 2.5 CONTACT RESISTANCE:
 - 2.5.1 CENTER CONTACT: 6 MILLIOHM MAX
 - 2.5.2 OUTER CONTACT: 2 MILLIOHM MAX
- 2.6 INSULATOR RESISTANCE: 5000 MEGOHM MIN

3. MECHANICAL:

- 3.1 ENGAGEMENT FORCE: FULL DETENT 68 N MAX, LIMITED DETENT 45 N MAX, SMOOTH BORE 9 N MAX (SMP)
0.23 NM MAX (SMK)
- 3.2 DISENGAGEMENT FORCE: FULL DETENT 22 N MIN, LIMITED DETENT 9 N MIN, SMOOTH BORE 2.2 N MIN (SMP)
0.23 NM MAX (SMK)
- 3.3 COUPLING NUT RETENTION: 267 N MIN
- 3.4 COUPLING PROOF TORQUE: 1.7 NM MIN
- 3.5 CONTACT RETENTION: 22 N MIN
- 3.6 DURABILITY: 500 CYCLES MIN (SMK)
FULL DETENT 100 CYCLES MIN, LIMITED DETENT 500 CYCLES MIN, SMOOTH BORE 1000 CYCLES MIN (SMP)

4. ENVIRONMENT:

- 4.1 THERMAL SHOCK: MIL-STD-202, METHOD 107, CONDITION B.
- 4.2 OPERATING TEMPERATURE: -55TO 125°C
- 4.3 SALT SPRAY: MIL-STD-202, METHOD 101, CONDITION B
- 4.4 SHOCK: MIL-STD-202, METHOD 213, CONDITION I
- 4.5 VIBRATION: MIL-STD-202, METHOD 204, CONDITION D
- 4.6 MOISTURE RESISTANCE: MIL-STD-202, METHOD 106

| | | | |
|---------------------------------------|---|---|--------------------------|
| | Model No. 134-1000-002 | Johnson | |
| | RoHS2 201165EU <small>REACH SVHC Compliant REACH SVHC Content REACH SVHC Declaration REACH SVHC Exemption REACH SVHC Information REACH SVHC Labeling REACH SVHC Reporting REACH SVHC Testing REACH SVHC Verification REACH SVHC Withdrawal REACH SVHC Amendment REACH SVHC Revocation REACH SVHC Suspension REACH SVHC Termination REACH SVHC Cancellation REACH SVHC Deletion REACH SVHC Archiving REACH SVHC Purging REACH SVHC Destruction REACH SVHC Disposal REACH SVHC Recycling REACH SVHC Reuse REACH SVHC Recovery REACH SVHC Remediation REACH SVHC Restoration REACH SVHC Rehabilitation REACH SVHC Renovation REACH SVHC Reconstruction REACH SVHC Reconstruction REACH SVHC Reconstruction</small> | Title: ADAPTER ASSEMBLY,SMK(2.92mm) PLUG TO SMP JACK | Drawing No. 134-1000-002 |
| Drawn by Betty.Yu Date: 10/10/2017 | Size C DO NOT SCALE DRAWING | Rev 001 | Sheet 1 of 1 |