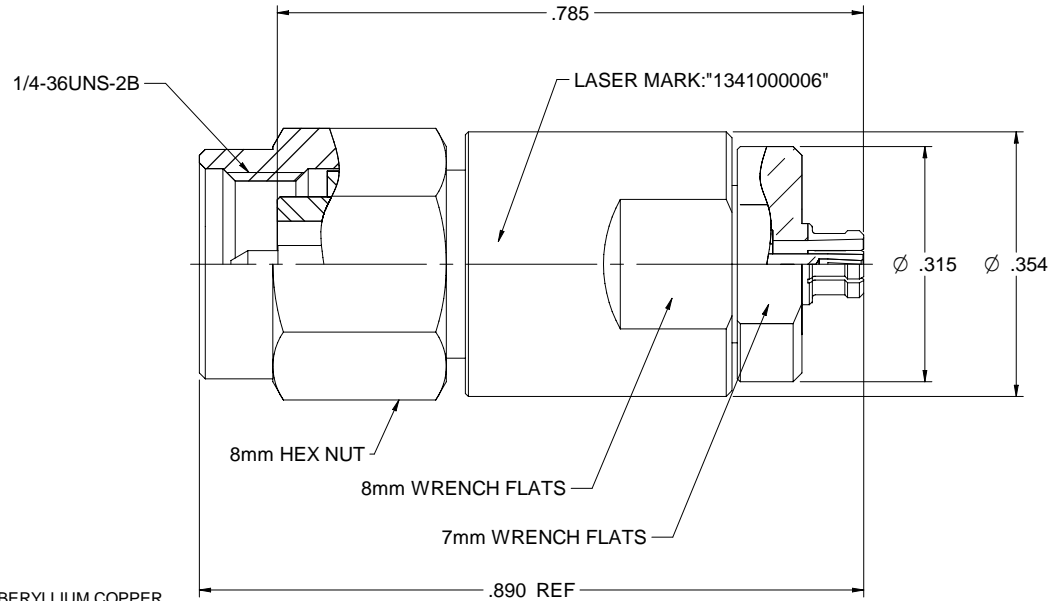


MODEL NO.	PACKAGING
134-1000-006	ONE PCS PER BAG

REV	ECO	DATE
001	ECO-19-002	11/28/2017
002	ECO-18-003	08/21/2018



NOTES: UNLESS OTHERWISE SPECIFIED

1. MATERIAL & FINISH:
 - 1.1 BODY & SHELL: PASSIVATED STAINLESS STEEL
 - 1.2 CONTACT PIN & CONTACT BODY: GOLD PLATED BERYLLIUM COPPER
 - 1.3 INSULATOR1: ULTEM1000 AMBER
 - 1.4 INSULATOR2: PTFE WHITE
 - 1.5 C RING: BERYLLIUM COPPER
 - 1.6 GASKET: SILICONE RED
2. ELECTRICAL:
 - 2.1 IMPEDANCE: 50 OHMS
 - 2.2 FREQUENCY RANGE: DC-40 GHZ
 - 2.3 VOLTAGE STANDING WAVE RATIO: 1.3 MAX
 - 2.4 DIELECTRIC WITHSTANDING VOLTAGE: 325 VRMS MIN
 - 2.5 CONTACT RESISTANCE:
 - 2.5.1 CENTER CONTACT: 6 MILLIOHM MAX
 - 2.5.2 OUTER CONTACT: 2 MILLIOHM MAX
 - 2.6 INSULATOR RESISTANCE: 5000 MEGOHM MIN
3. MECHANICAL:
 - 3.1 ENGAGEMENT FORCE: 0.23 NM MAX (2.92MM)
FULL DETENT 19 N MAX, SMOOTH BORE 11 N MAX (SMPM)
 - 3.2 DISENGAGEMENT FORCE: 0.23 NM MAX (2.92MM)
FULL DETENT 29 N MAX, SMOOTH BORE 11N MAX (SMPM)
 - 3.3 COUPLING PROOF TORQUE: 1.7 NM MIN.(2.92MM)
 - 3.4 COUPLING NUT RETENTION: 267N MIN
 - 3.5 CONTACT RETENTION: 22 N MIN
 - 3.6 DURABILITY: 500 CYCLES MIN (2.92MM)
FULL DETENT 100 CYCLES MIN, SMOOTH BORE 500 CYCLES MIN (SMPM)
4. ENVIRONMENT:
 - 4.1 THERMAL SHOCK: MIL-STD-202, METHOD 107, CONDITION B.
 - 4.2 OPERATING TEMPERATURE: -65 TO 165°C
 - 4.3 SHOCK: MIL-STD-202, METHOD 213, CONDITION I
 - 4.4 VIBRATION: MIL-STD-202, METHOD 204, CONDITION D
 - 4.5 MOISTURE RESISTANCE: MIL-STD-202, METHOD 106

	Model No.	134-1000-006	
	RoHS2	2011/65/EU	
XXXX - 02 XXXX - 01 ANGLES: 45°	Date: 08/21/2018 Size: C Do NOT SCALE DRAWING	Design By: Betty Yu Drawing No: 134-1000-006 Rev: 002	Sheet 1 of 1