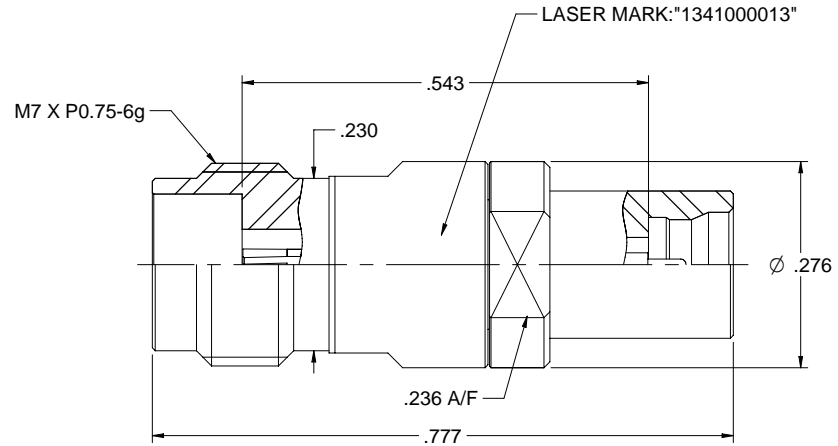


| MODEL NO. | PACKAGING |
|--------------|-----------------|
| 134-1000-013 | ONE PCS PER BAG |

| REV | ECO | DATE |
|-----|------------|------------|
| 001 | ECO-17-002 | 11/28/2017 |



NOTES: UNLESS OTHERWISE SPECIFIED

1. MATERIAL & FINISH:

- 1.1 BODY & CONTACT BODY: PASSIVATED STAINLESS STEEL
- 1.2 CONTACT PIN : GOLD PLATED BERYLLIUM COPPER
- 1.3 INSULATOR: ULTEM 1000 AMBER

2. ELECTRICAL:

- 2.1 IMPEDANCE: 50 OHMS
- 2.2 FREQUENCY RANGE: 0-40 GHz
- 2.3 VOLTAGE STANDING WAVE RATIO: 1.25 MAX
- 2.4 CONTACT RESISTANCE: CENTER CONTACT: 6 MILLIOHMS MAX
OUTERR CONTACT: 2.5 MILLIOHMS MAX
- 2.5 DIELECTRIC WITHSTANDING VOLTAGE: 500VRMS MIN
- 2.6 INSULATION RESISTANCE: 5000 MOHM MIN

3. MECHANICAL:

- 3.1 FORCE TO ENGAGE / DISENGAGE: 0.23 NM MAX (2.4MM)
45 N MAX (SMP) / 9 N MIN (SMP)
- 3.2 CONTACT RETENTION: 20 N MIN
- 3.3 DURABILITY: 500 CYCLES MIN

4. ENVIRONMENT:

- 4.1 THERMAL SHOCK: MIL-STD-202, METHOD 107, CONDITION B.
- 4.2 OPERATING TEMPERATURE: -55 TO 125°C
- 4.3 SALT SPRAY: MIL-STD-202, METHOD 101, CONDITION B
- 4.4 SHOCK: MIL-STD-202, METHOD 213, CONDITION I
- 4.5 VIBRATION: MIL-STD-202, METHOD 204, CONDITION D
- 4.6 MOISTURE RESISTANCE: MIL-STD-202, METHOD 106

| | | | |
|--|------------------------|----------------------|---|
| | Model No. 134-1000-013 | Johnson | |
| | | | Title: ADAPTER ASSEMBLY 2.4mm JACK TO SMP PLUG (LIMITED DETENT) |
| | Date: 10/27/2017 | Drawn by: Betty Yu | Drawing No. 134-1000-013 |
| | Size: C | DO NOT SCALE DRAWING | Rev: 001 |
| | ANGLE: 45° | NONE | Sheet 1 of 1 |