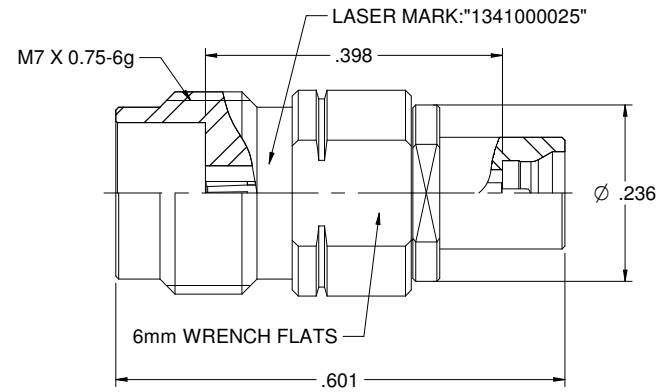


MODEL NO.	PACKAGING
134-1000-025	ONE PCS PER BAG

REV	ECO	DATE
001	ECO-17-0003	12/18/2017



NOTES: UNLESS OTHERWISE SPECIFIED

1. MATERIAL & FINISH:

- 1.1 BODY & CONTACT BODY: PASSIVATED STAINLESS STEEL
- 1.2 CONTACT PIN: GOLD PLATED BERYLLIUM COPPER
- 1.3 INSULATOR: ULTEM 1000 AMBER

2. ELECTRICAL:

- 2.1 IMPEDANCE: 50 OHMS
- 2.2 FREQUENCY RANGE: 0-67 GHz
- 2.3 VOLTAGE STANDING WAVE RATIO: 1.25 MAX
- 2.4 CONTACT RESISTANCE: CENTER CONTACT: 6 MILLIOHMS MAX
OUTER CONTACT: 2.5 MILLIOHMS MAX
- 2.5 DIELECTRIC WITHSTANDING VOLTAGE: 325VRMS MIN
- 2.6 INSULATION RESISTANCE: 5000 MOHM MIN

3. MECHANICAL:

- 3.1 ENGAGEMENT FORCE: 0.23 NM MAX (1.85MM)
FULL DETENT: 19 N MAX (SMPM)
- 3.2 DISENGAGEMENT FORCE: 0.23 NM MAX (1.85MM)
FULL DETENT: 29 N MAX (SMPM)
- 3.3 CONTACT RETENTION: 20 N MIN
- 3.4 DURABILITY: 500 CYCLES MIN

4. ENVIRONMENT:

- 4.1 THERMAL SHOCK: MIL-STD-202, METHOD 107, CONDITION B.
- 4.2 OPERATING TEMPERATURE: -55 TO 125°C
- 4.3 SALT SPRAY: MIL-STD-202, METHOD 101, CONDITION B
- 4.4 SHOCK: MIL-STD-202, METHOD 213, CONDITION I
- 4.5 VIBRATION: MIL-STD-202, METHOD 204, CONDITION D
- 4.6 MOISTURE RESISTANCE: MIL-STD-202, METHOD 106

	Model No. 134-1000-025	Johnson	
	RoHS2 2011/65/EU REACH 1907/2006/EC XXXX + 02 XXXXX - 01 ANGLE: 45°	Title: ADAPTER ASSEMBLY, 1.85mm JACK TO SMPM PLUG (FULL DENTED) Drawing No. 134-1000-025	Rev. 001
APPROVED DRAWING IN ACCORDANCE WITH MIL-STD-883C THE DATE	Date: 12/12/2017 Size: C DO NOT SCALE DRAWING	INTERPRETED BY: NONE	Sheet 1 of 1