

PART NUMBER
134-1000-037

REV	ECO	DATE
1	INITIAL RELEASE	04SEP2020

NOTES:

1. MATERIAL AND FINISH:

- 1.1 BODY: STAINLESS STEEL, PASSIVATED
- 1.2 CONTACT: BERYLLIUM COPPER, GOLD PLATE
- 1.3 INSULATOR: ULTEM 1000, AMBER
- 1.4 GASKET: SILICONE, RED

2. ELECTRICAL SPECIFICATIONS:

- 2.1 IMPEDANCE: 50 OHMS NOMINAL
- 2.2 FREQUENCY RANGE: DC~50 GHz
- 2.3 VSWR: 1.30 MAX
- 2.4 DIELECTRIC WITHSTANDING VOLTAGE: 250 VRMS MIN
- 2.5 INSULATION RESISTANCE: 3500 MEGOHM MIN
- 2.6 CONTACT RESISTANCE:
  - 2.6.1 CENTER CONTACT - 6.0 MILLIOHM MAX
  - 2.6.2 OUTER CONDUCTOR - 2.0 MILLIOHM MAX

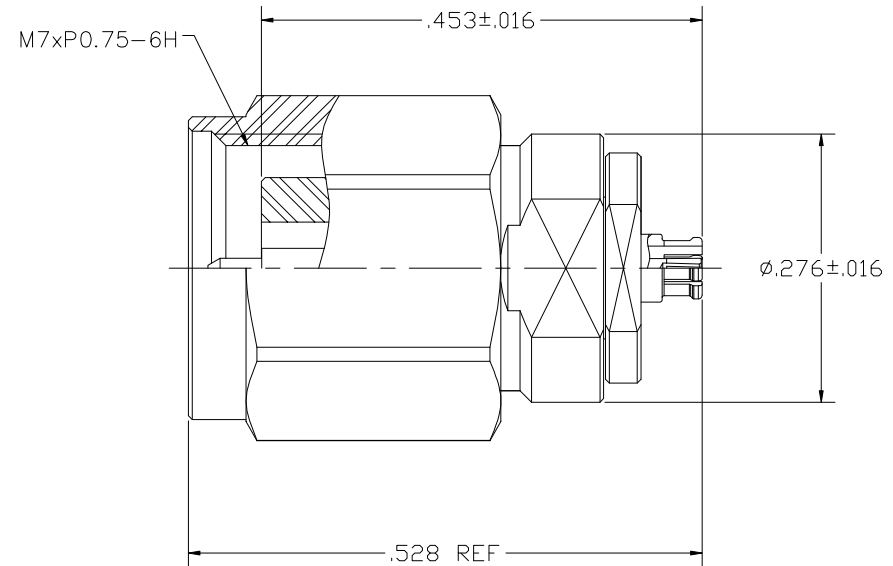
3. MECHANICAL SPECIFICATIONS:

- 3.1 ENGAGE/DISENGAGE FORCE: 0.23 Nm MAX (2.4MM)  
2.5 LBS MAX/4.5 LBS MAX (SMP3 FULL DETENT)  
1.2 LBS MAX/1 LBS MAX (SMP3 SMOOTH BORE)
- 3.2 COUPLING NUT RETENTION: 267 N MIN
- 3.3 COUPLING PROOF TORQUE: 1.65 Nm MIN
- 3.4 CONTACT RETENTION: 20 N MIN
- 3.5 DURABILITY: 500 CYCLES MIN (2.4MM)  
100 CYCLES MIN (SMP3 FULL DETENT)  
500 CYCLES MIN (SMP3 SMOOTH BORE)

4. ENVIRONMENTAL:

(MEETS OR EXCEEDS THE APPLICABLE PARAGRAPH OF MIL-PRF-39012)

- 4.1 THERMAL SHOCK: MIL-STD-202, METHOD 107, CONDITION B
- 4.2 OPERATING TEMPERATURE: -65°C TO 165°C
- 4.3 MOISTURE RESISTANCE: MIL-STD-202, METHOD 106
- 4.4 MECHANICAL SHOCK: MIL-STD-202, METHOD 213, CONDITION I
- 4.5 VIBRATION: MIL-STD-202, METHOD 204, CONDITION D



<p>This PROPRIETARY Document is property of Cinch Connectivity Solutions. It is confidential in nature, non-transferable, and leased with the clear understanding that it is not traced or copied without permission and is returnable upon demand.</p> <p>INTERPRET DRAWING IN ACCORDANCE WITH ASME Y14.5-2009.</p>	Model No:	134-1000-037		JOHNSON	
	RoHS <input checked="" type="checkbox"/>	Cage Code	Title: ADAPTER ASSEMBLY, 2.4MM MALE TO SMP3 FEMALE		
	(EU)/2015/863 COMPLIANT	3RD ANGLE PROJECTION	Drawing No.		REV.
	UNLESS OTHERWISE SPECIFIED UNITS: INCH		134-1000-037		1
	Drawn by:	TOMMY REN		Size	DO NOT SCALE DRAWING
	Date:	09/04/2020		Workmanship Std:	NONE
		ANGLES ±5°		Sheet	1 OF 1