

**FEATURES:** • 30% Smaller than SMB • Rugged snap-on mating design • Captivated contact  
**ELECTRICAL RATINGS:** • Impedance: 50Ω • Frequency Range: 0-6GHz • Working Voltage at sea level: 335 VRMS; 250 VRMS (J531-ND and J532-ND).  
**MECHANICAL RATINGS:** • Engage/Disengage Force: 5.6 pounds maximum engagement/8 pounds typical disengagement • Contact Retention Force: 2.3 pounds minimum axial force • Durability: 500 cycles minimum

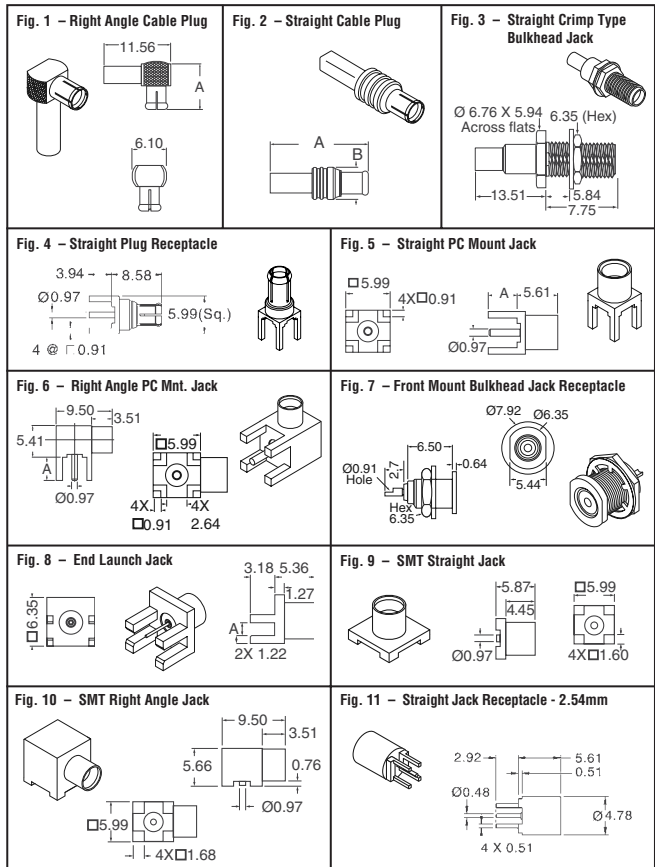


Fig.	Cable Type	Plating	Dimensions (mm)		Digi-Key Part No.	Price Each			Johnson Part No.
			A	B		1	10	100	
<b>50 Ohm</b>									
1	RG 178	Gold	11.58	—	J531-ND	6.20	5.44	4.68	4.01
	RG 316	Gold	11.58	—	J535-ND	5.87	5.16	4.43	3.80
	RG 178	Nickel	11.58	—	J532-ND	5.99	5.25	4.52	3.87
	RG 316	Nickel	11.58	—	J536-ND	5.65	4.97	4.27	3.66
1	RG 188, RG 316	Nickel	7.90	—	J720-ND	5.65	4.97	4.27	3.66
	RG 188, RG 316	Gold	7.90	—	J721-ND	5.87	5.16	4.43	3.80
2	RG 316	Gold	15.19	4.98	J533-ND	4.90	4.30	3.70	3.17
	RG 316	Nickel	15.19	4.98	J534-ND	4.57	4.01	3.45	2.96
4	—	Gold	—	—	J612-ND	8.07	7.08	6.09	5.22
5	—	Gold	3.94	—	J537-ND	4.46	3.91	3.37	2.89
	—	Nickel	3.94	—	J538-ND	4.42	3.88	3.34	2.86
	—	Gold	2.79	—	J539-ND	4.64	4.07	3.50	3.00
	—	Nickel	2.79	—	J540-ND	4.42	3.88	3.34	2.86
6	—	Gold	3.94	—	J541-ND	10.18	8.93	7.68	6.58
	—	Nickel	3.94	—	J542-ND	9.96	8.74	7.51	6.44
	—	Gold	2.79	—	J543-ND	10.43	9.15	7.86	6.74
	—	Nickel	2.79	—	J544-ND	10.18	8.93	7.68	6.58
7	—	Gold	—	—	J545-ND	8.05	7.07	6.08	5.21
	—	Nickel	—	—	J546-ND	7.79	6.83	5.88	5.04
8	—	Gold	1.73	—	J547-ND	5.85	5.14	4.42	3.79
9	—	Gold	—	—	J548-ND	6.66	5.85	5.03	4.31
10	—	Gold	—	—	J549-ND	10.89	9.55	8.21	7.04
11	—	Gold	—	—	J611-ND	5.29	4.64	3.99	3.42
<b>75 Ohm</b>									
1	RG-179	Gold	7.98	—	J643-ND	6.77	5.95	5.11	4.38
	RG-179DS	Gold	7.98	—	J644-ND	6.77	5.95	5.11	4.38
2	RG-179	Gold	20.47	5.94	J645-ND	11.31	9.93	8.53	7.31
3	RG-179	Gold	—	—	J647-ND	13.62	11.95	10.27	8.81
5	—	Gold	3.80	—	J649-ND	9.61	8.43	7.25	6.21
	—	Gold	2.70	—	J650-ND	6.08	5.33	4.58	3.93
6	—	Gold	3.80	—	J651-ND	10.77	9.46	8.13	6.97
	—	Gold	2.70	—	J652-ND	10.77	9.46	8.13	6.97
8	—	Gold	1.73	—	J653-ND	6.25	5.49	4.72	4.04
9	—	Gold	—	—	J654-ND	6.90	6.05	5.21	4.46
<b>Non-Magnetic MCX Connectors</b>									
1	RG-316/u, 188, 174	Gold	7.90	11.56	J680-ND	10.35	9.09	7.81	6.70
	RG-316DS, 188DS	Gold	7.90	11.56	J681-ND	11.05	9.69	8.33	7.14
2	RG-316/u, 188, 174	Gold	15.19	4.98	J678-ND	13.18	11.56	9.94	8.52
	—	Gold	3.94	—	J682-ND	7.09	6.22	5.35	4.59
5	—	Gold	2.79	—	J683-ND	6.75	5.93	5.10	4.37
6	—	Gold	2.79	—	J685-ND	12.09	10.61	9.12	7.82
8	—	Gold	1.57	—	J686-ND	14.02	12.30	10.57	9.06
Prototype Crimp Tool .....					J574-ND	433.50/1			141-0000-908
Hand Crimp Tool (frame only) .....					J572-ND	121.82/1			140-0000-952
Die Set (RG178, 316) .....					J573-ND	147.92/1			140-0000-951

**A**

**Adapters**

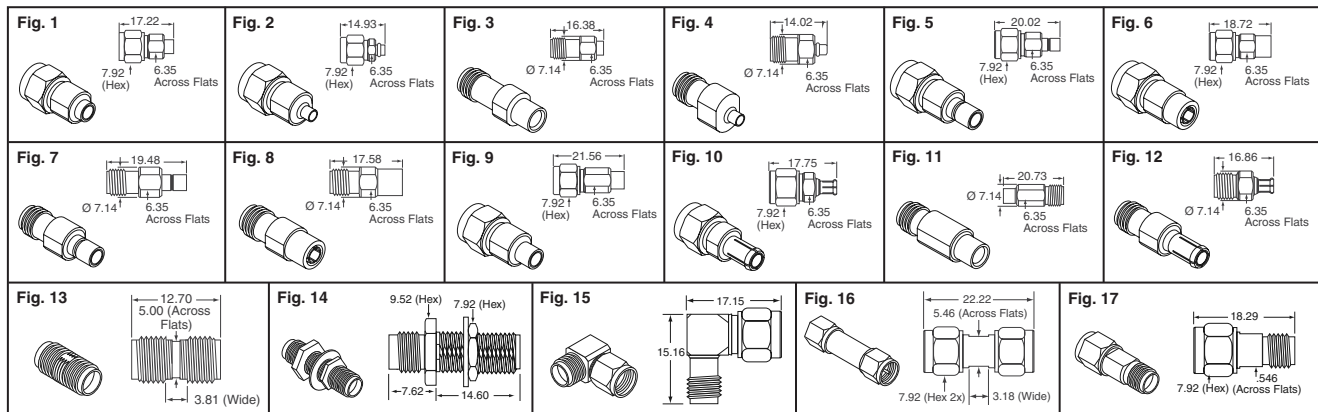


Fig.	Description	VSWR (GHz)	Frequency Range (GHz)	Digi-Key Part No.	Price Each 1 10	Johnson Part No.
1	SMA Plug to MMCX Jack	1.05+.05f	0-6	J617-ND	43.50 36.11	134-1019-151
2	SMA Plug to MMCX Plug	1.05+.05f	0-6	J618-ND	47.12 39.12	134-1019-161
3	SMA Jack to MMCX Jack	1.05+.05f	0-6	J619-ND	39.88 33.10	134-1019-171
4	SMA Jack to MMCX Plug	1.05+.05f	0-6	J620-ND	43.50 36.11	134-1019-181
5	SMA Plug to SMB Jack	1.05+.01f	0-4	J621-ND	39.88 33.10	134-1012-011
6	SMA Plug to SMB Plug	1.05+.01f	0-4	J622-ND	43.50 36.11	134-1012-021
7	SMA Jack to SMB Jack	1.05+.01f	0-4	J623-ND	39.88 33.10	134-1012-031
8	SMA Jack to SMB Plug	1.05+.01f	0-4	J624-ND	39.88 33.10	134-1012-041
9	SMA Plug to MCX Jack	1.03+.03f	0-6	J625-ND	39.88 33.10	134-1018-001

Fig.	Description	VSWR (GHz)	Frequency Range (GHz)	Digi-Key Part No.	Price Each 1 10	Johnson Part No.
10	SMA Plug to MCX Plug	1.03+.03f	0-6	J626-ND	43.50 36.11	134-1018-011
11	SMA Jack to MCX Jack	1.03+.03f	0-6	J627-ND	39.88 33.10	134-1018-021
12	SMA Jack to MCX Plug	1.03+.03f	0-6	J628-ND	39.88 33.10	134-1018-031
13	SMA Jack to SMA Jack	1.05+.005f	0-18	J655-ND	15.33 13.44	142-0901-801
14	SMA Jack to SMA Bulkhead Jack	1.05+.01f	0-18	J659-ND	21.89 19.19	142-0901-401
15	SMA Jack to SMA Plug / Rt. Angle	1.035+.02f	0-18	J632-ND	19.83 17.39	142-0901-941
16	SMA Plug to SMA Plug	1.05+.01f	0-18	J633-ND	17.67 15.50	142-0901-811
17	SMA Plug to SMA Jack	1.05+.005f	0-18	J656-ND	15.66 13.74	142-0901-821

Note: All Adapters are Gold plated.

**All prices in Canadian dollars and include duty and brokerage fees.**

1-800-344-4539 • ca.digikey.com • 218-681-6674 • Fax: 218-681-3380