

REV	ECO	DATE
3	INITIAL RELEASE	20JUL2020

NOTES:

1. MATERIAL AND FINISH:

- 1.1 FRONT BODY (UMC END): BERYLLIUM COPPER, GOLD PLATE.
- 1.2 REAR BODY (SMA END): STAINLESS STEEL, PASSIVATION.
- 1.3 CONTACT: BERYLLIUM COPPER, GOLD PLATE.
- 1.4 INSULATOR: PTFE.

2. ELECTRICAL SPECIFICATIONS:

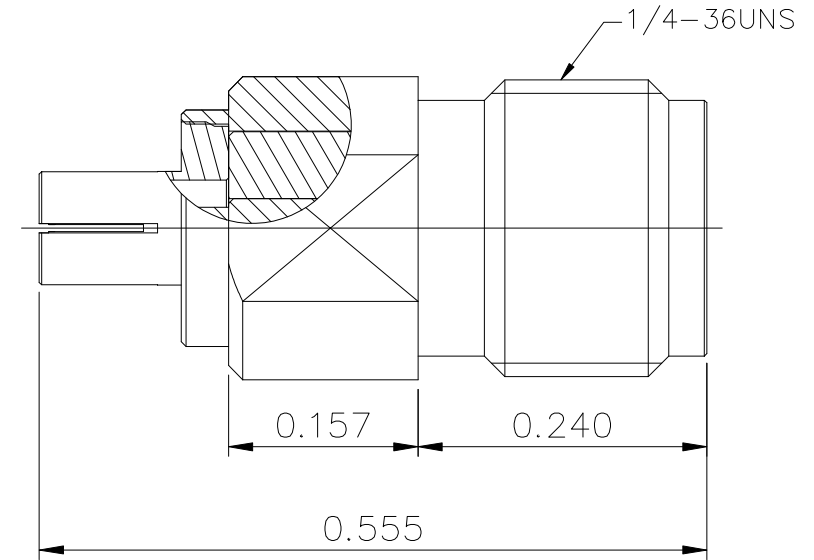
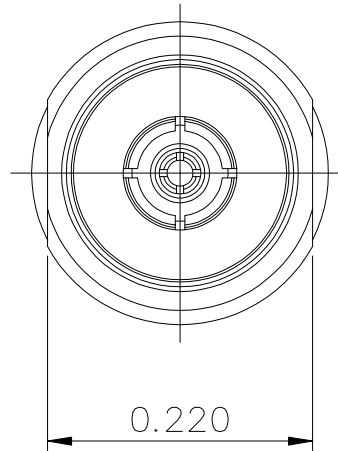
- 2.1 IMPEDANCE: 50 OHMS NOMINAL
- 2.2 FREQUENCY RANGE: DC~6 GHz
- 2.3 VSWR: 1.3 MAX.


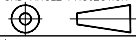
3. MECHANICAL SPECIFICATIONS (UMC):

- 3.1 COMPATIBILITY: MATES WITH U.FL SERIES
- 3.2 DISENGAGE FORCE: 0.15 N MIN
- 3.3 DURABILITY: 500 CYCLES MIN

4. ENVIRONMENTAL:

- 4.1 TEMPERATURE: -40°C TO 90°C



 <p>This PROPRIETARY Document is property of Cinch Connectivity Solutions. It is confidential in nature, non-transferable, and issued with the clear understanding that it is not traced or copied without permission and is returnable upon demand.</p> <p>INTERPRET DRAWING IN ACCORDANCE WITH ASME Y14.5-2009.</p>	Model No: 134-1019-371	JOHNSON		
	RoHS <input checked="" type="checkbox"/> (EU)/2015/863 COMPLIANT	Cage Code	Title: UMC PLUG TO SMA JACK CONVERSION ADAPTER	
	UNLESS OTHERWISE SPECIFIED UNITS: INCH	3RD ANGLE PROJECTION 	Drawing No. 134-1019-371	REV. 3
	.XX ±.008 .XXX ±.008 ANGLES ±5°	Drawn by: TOMMY REN Date: 07/20/2020	Size B	DO NOT SCALE DRAWING Workmanship Std: NONE Sheet 1 OF 1