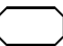
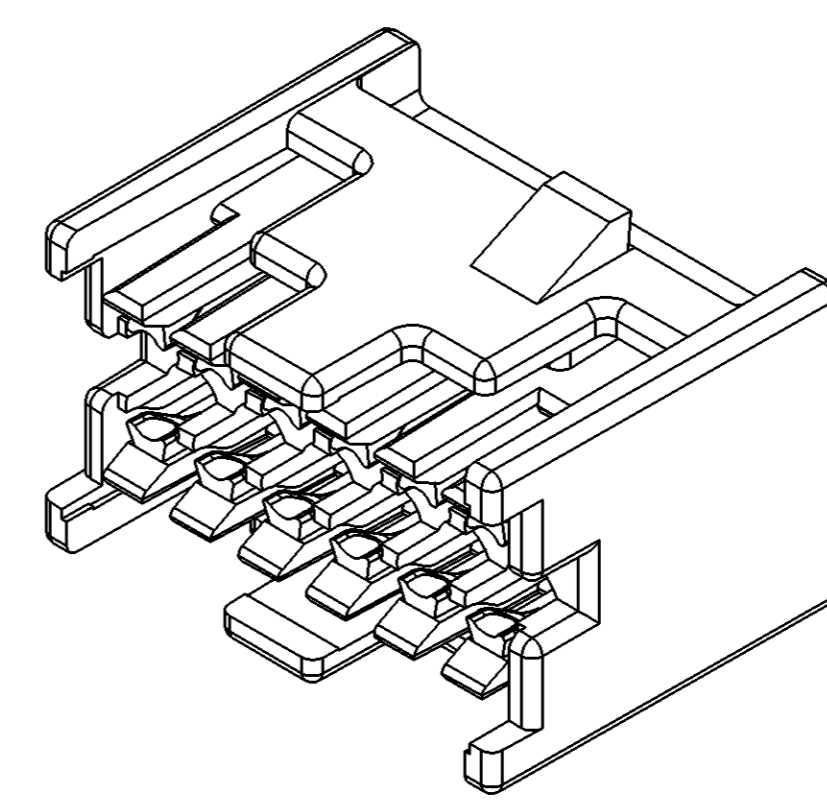
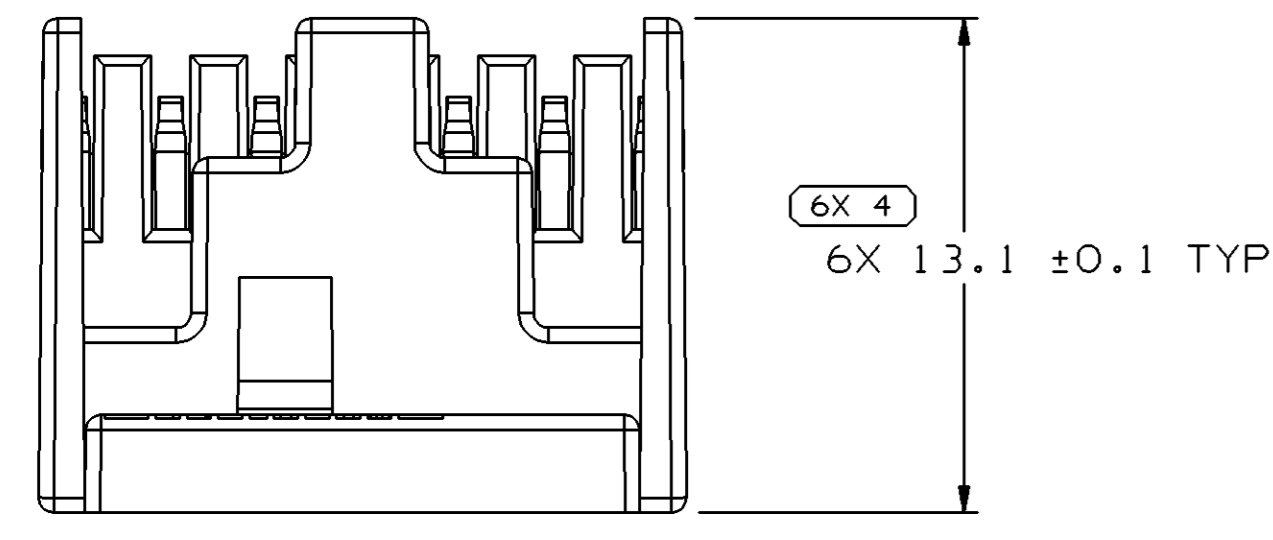
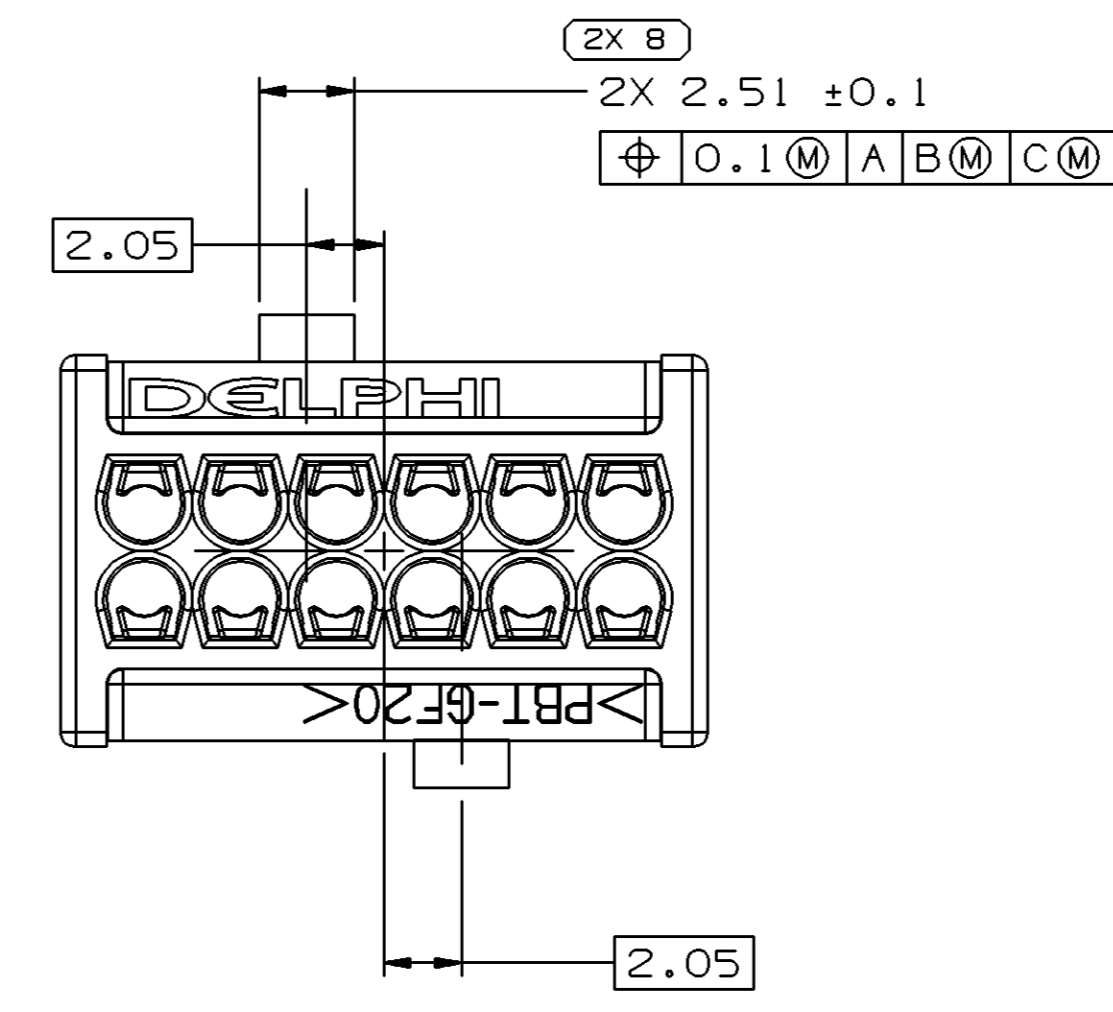
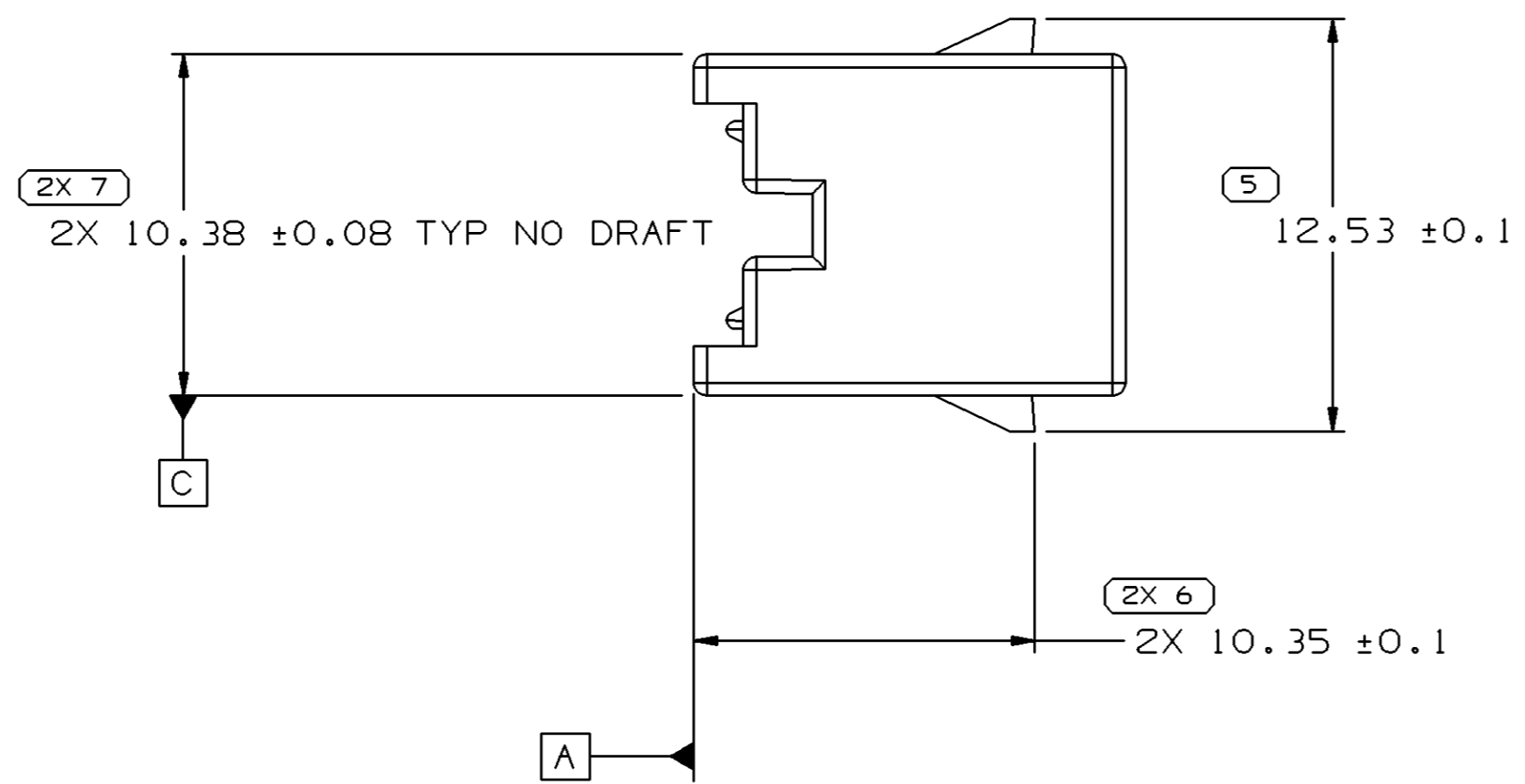
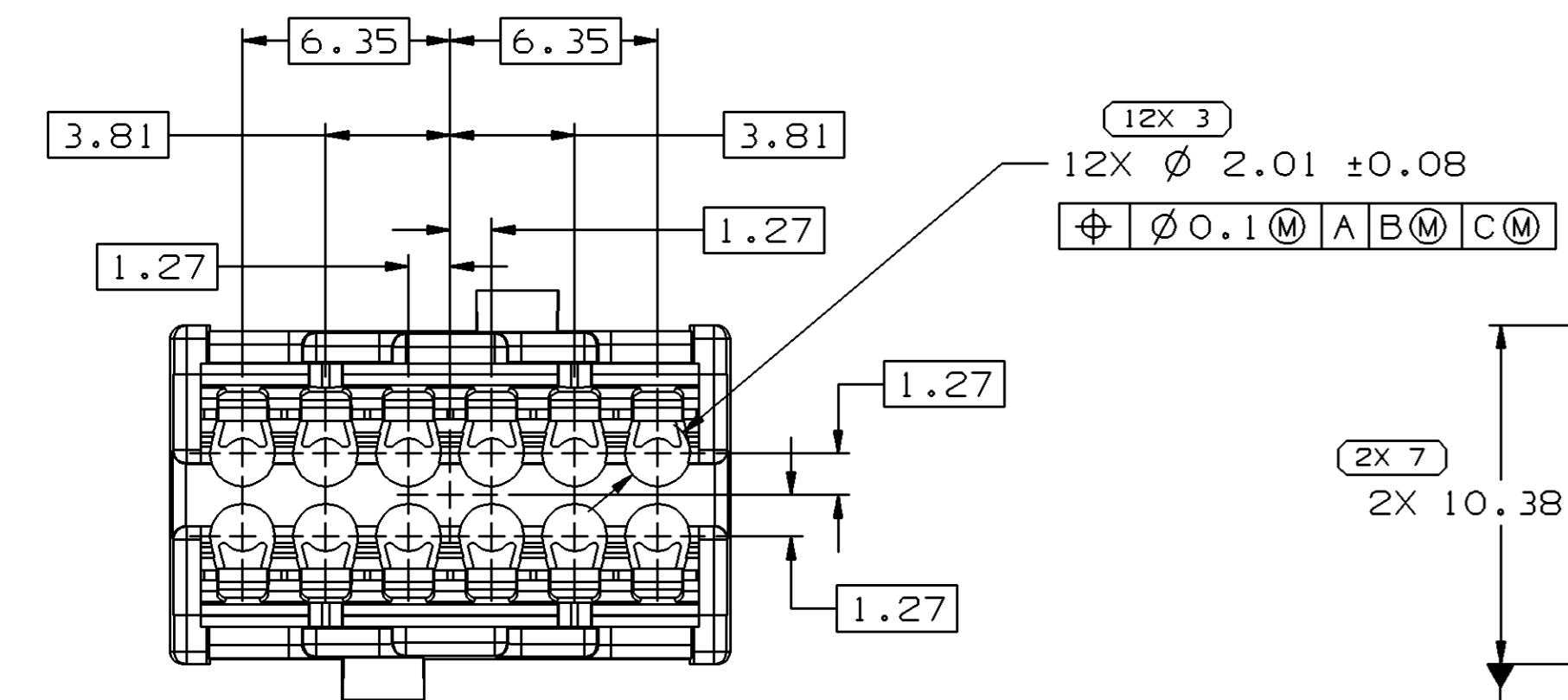
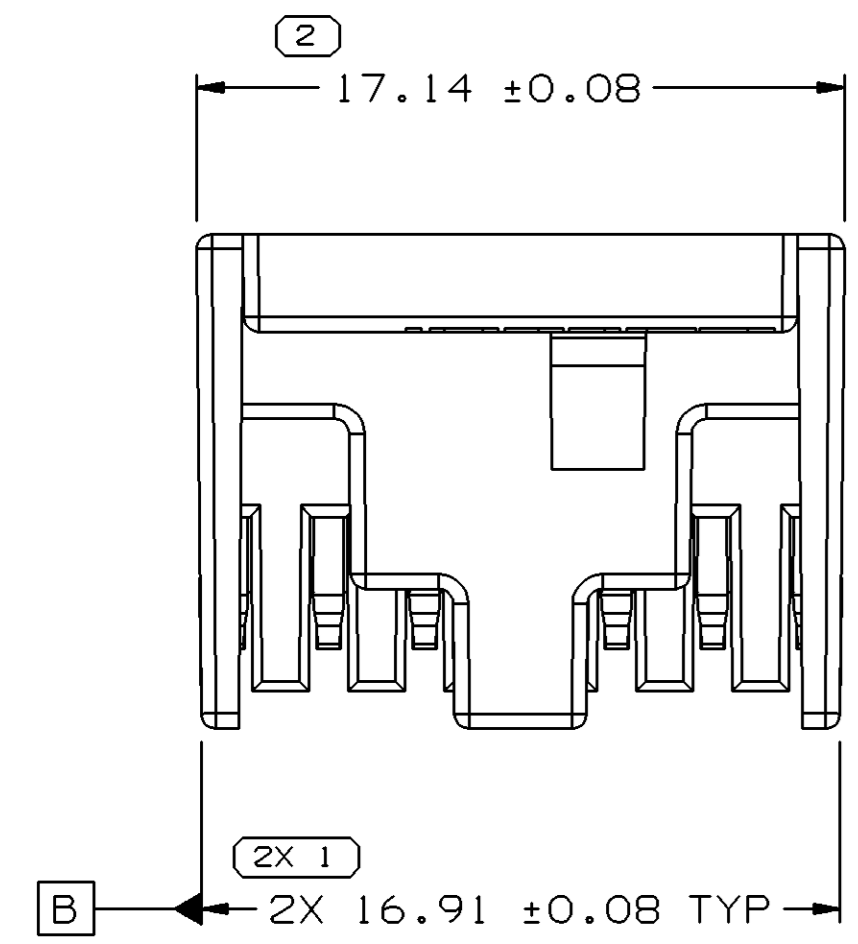


SYMBOL DEFINITION	
A DIMENSION WITHOUT AN INSPECTION REPORT SYMBOL  DOES NOT REQUIRE INSPECTION. IT MAY BE CONTROLLED ON THE INDIVIDUAL COMPONENT DRAWING.	TOTAL NO OF INSPECTIONS REQUIRED
	28
	LAST NO. USED
	8

MISSING SYMBOLS	
NO MISSING SYMBOL NUMBER	

DWG STATUS					ZONE	REVISION HISTORY	AUTH	DR	APVD 1	APVD 2
DATE	STG	REV	N/P	CHG						
180C04	R	01	-	-		WAS PE135103 AND RELEASED	260151	ADK	ADK	B
02MY05	R	01	AA	-		UPDATED ESD CAVITY, REMOVED SEALING NOTE, ADDED MAX CRIMP DIM TO NOTE 6, UPDATED NOTE 2 TO INCLUDE CAVITY ID INFORMATION	266390	CJP	CJP	BMD
16JN05	R	01	AB	-		REVISED NOTE 7	269181	DAD	DAD	BMD



NOTES

- UNLESS OTHERWISE SPECIFIED AND/OR INDICATED:
DIMENSIONS ARE TO FACE OF VIEW SHOWN AND AUTOMATICALLY ROUNDED BY COMPUTER FOR INSPECTION (SEE MATH MODEL FOR PRECISE DIMENSIONS). FOR ALL OTHER DIMENSIONS NOT SHOWN BUT REQUIRED FOR TOOL BUILD, SEE MATH MODEL FOR PRECISE TOOL PATH DATA.
- THIS PART USED IN ASSEMBY 15489498. SEE ASSEMBLY DRAWING FOR CAVITY IDENTIFICATION.
- MATERIAL RECYCLING CODE PER ISO 11469. (1.0)X(0.05) CHARACTERS AS SHOWN TO BE LOCATED ON ANY EXTERIOR SURFACE. OPTIONAL CONSTRUCTION TO BE NO RECYCLE CODE.
- THIS PART IS NOT CONTROLLED FOR AUTOMATIC FEEDING.
- REFERENCE MATING COMPONENTS OR EQUIVALENT:
CONNECTOR 15489490
TERMINAL POSITION ASSURANCE 15489491 (DELPHI P/N OR EQUIVALENT)
- THIS PART ACCEPTS THE FOLLOWING COMPONENTS OR EQUIVALENT:
TERMINAL 15489500, 15489501
MAX INSULATION CRIMP DIMENSION 2.05 X 2.05
- (1.0)X(0.05) DELPHI CORPORATE BRAND TO BE LOCATED ON ANY EXTERIOR SURFACE, PREFERABLY VISIBLE AT FINAL ASSEMBLY. OPTIONAL CONSTRUCTION FOR EXISTING TOOLING MAY BE "PED" OR NO LOGO.

DIMENSIONAL RANGE (MM)		CHART E1	
FROM	TO	TOLERANCE UNLESS OTHERWISE SPECIFIED	ANGULAR TOLERANCE ±2°
> 0	> 20	±0.15	
> 20	> 30	±0.2	
> 30	> 70	±0.3	
> 70	> 100	±0.4	
> 100	> 150	±0.5	
> 150	> 200	±0.6	
> 200	> 250	±1	
> 250	> 300	±1.2	
> 300	> 400	±1.5	

DWG TYPE	PART DRAWING
STYLE	2007 GMT-900
VOLUME (CM³)	0.972
DISTR CODE	D
UNLESS OTHERWISE SPECIFIED	
THIS DOCUMENT IS IN ACCORDANCE WITH ASME Y14.5M-1994 AS AMENDED BY THE GM GLOBAL DIMENSIONING AND TOLERANCING ADDENDUM - 1997. ALL GEOMETRIC TOLERANCES AND RELATED DATUMS APPLY RFS. RULE #1 PERFECT FORM AT MMC DOES NOT APPLY WHEN RELATIONSHIP BETWEEN FEATURES IS ESTABLISHED BY ORIENTATION OR LOCATION TOLERANCES. SEPARATE POSITION CALLOUTS MAY BE GAGED SEPARATELY, REGARDLESS OF DATUM REFERENCE. ALL DIMENSIONS ARE IN MILLIMETERS	
THIRD ANGLE PROJECTION	DO NOT SCALE
USE MATH DATA	UNIGRAPHICS

DELPHI
DELPHI PACKARD ELECTRIC SYSTEMS
WARREN, OH

DR	DATE
APVD1 ADAM D. KIMBERLIN	180C04
APVD2 ADAM D. KIMBERLIN	180C04
APVD3 BARRY DAGGETT	180C04
APVD4	
APVD5	

SUBSTANCES OF CONCERN AND RECYCLED CONTENT PER DELPHI 10949001

MATERIAL
M4629022 PBT 6F20 BLU DK

DRAWING NAME
LOCK INRCONNECT MICRO 64 BLU DK

DRAWING NUMBER
13509758

SIZE	SCALE	FRAME NO	SHEET NO	STG	REV	N/P	AB
A1	5:1	1 OF 1	1 OF 1	R	01	AB	