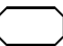
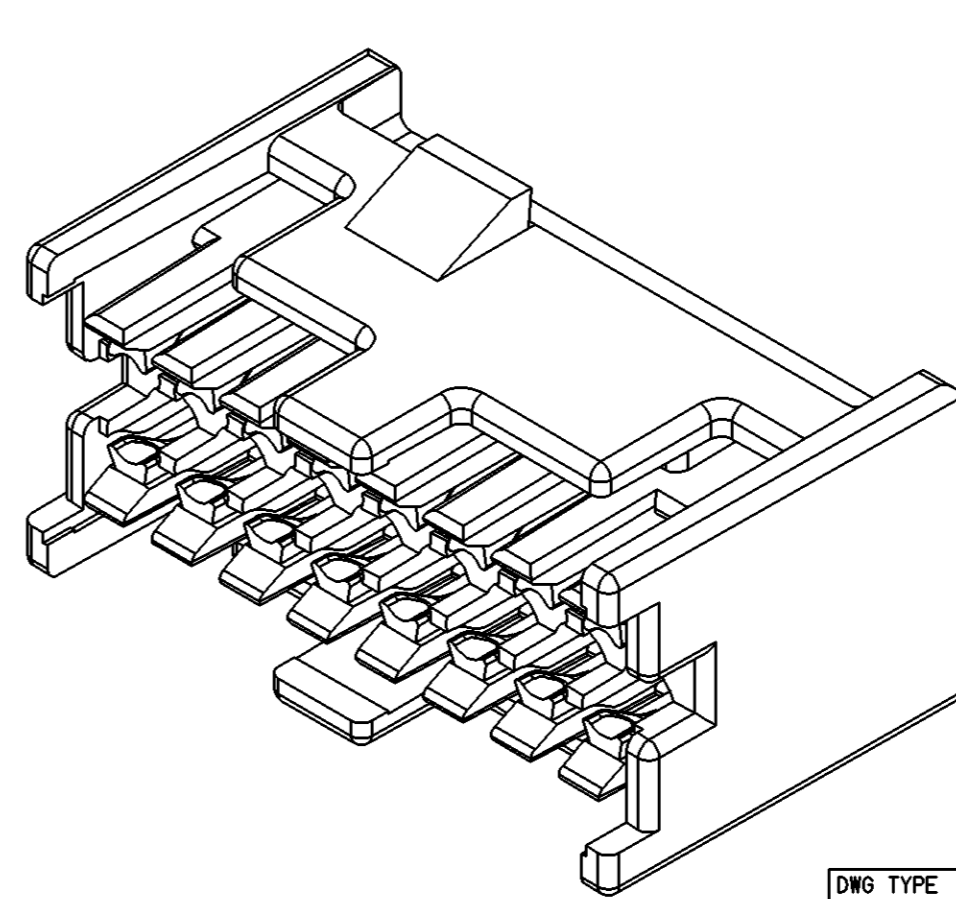
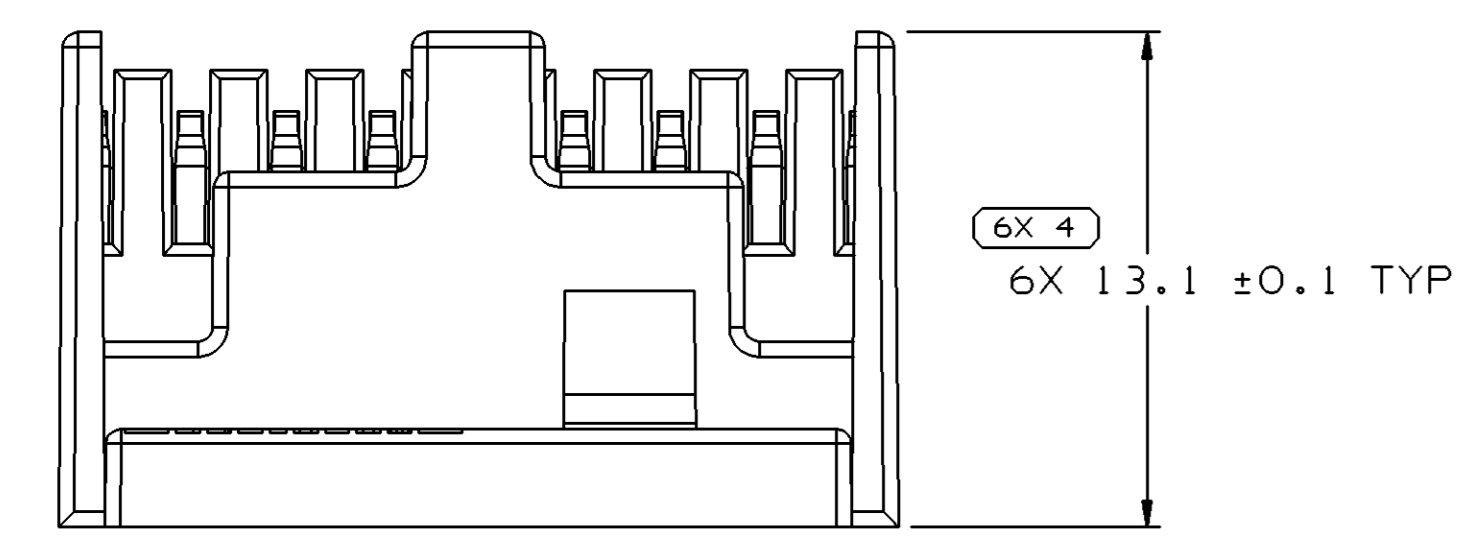
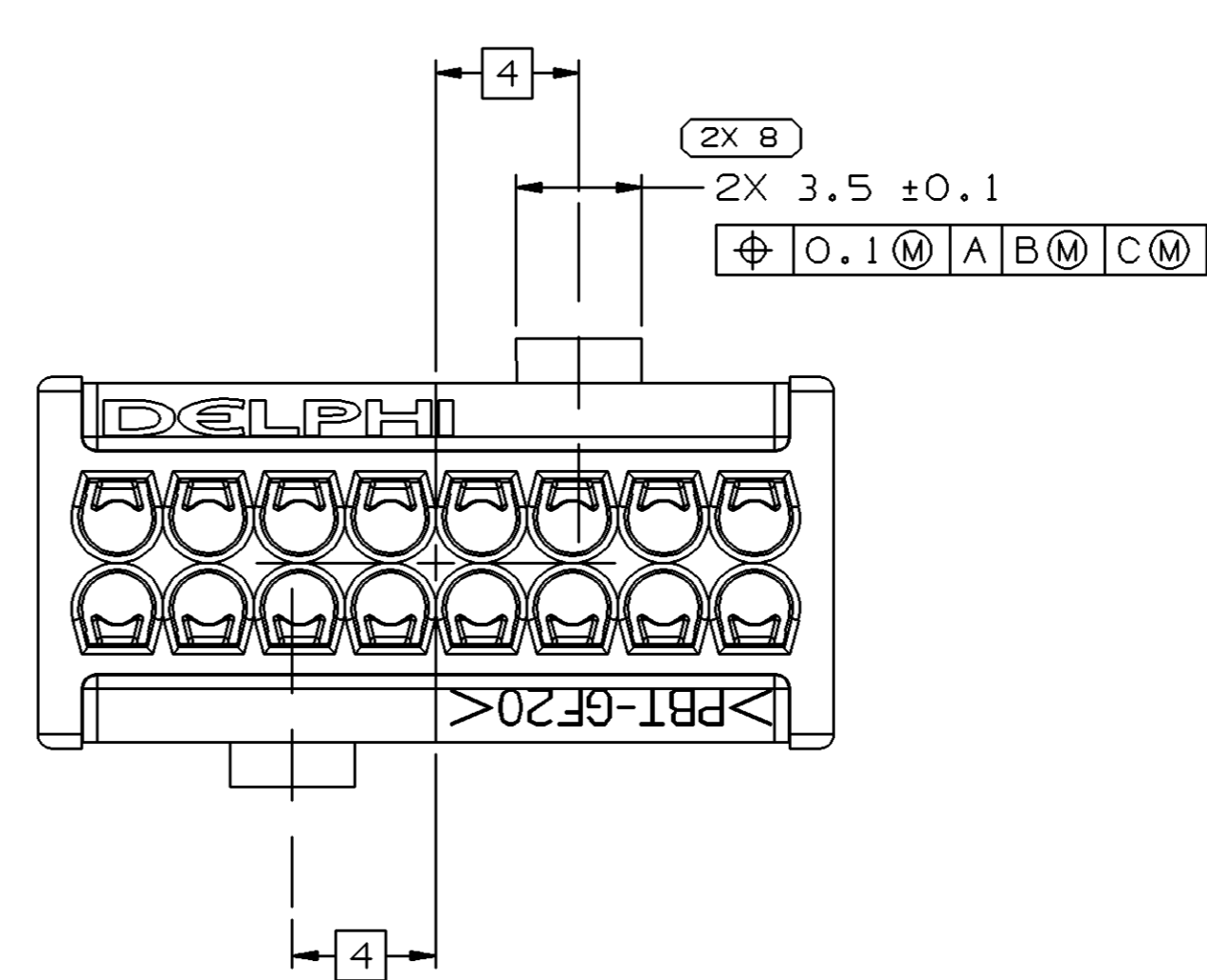
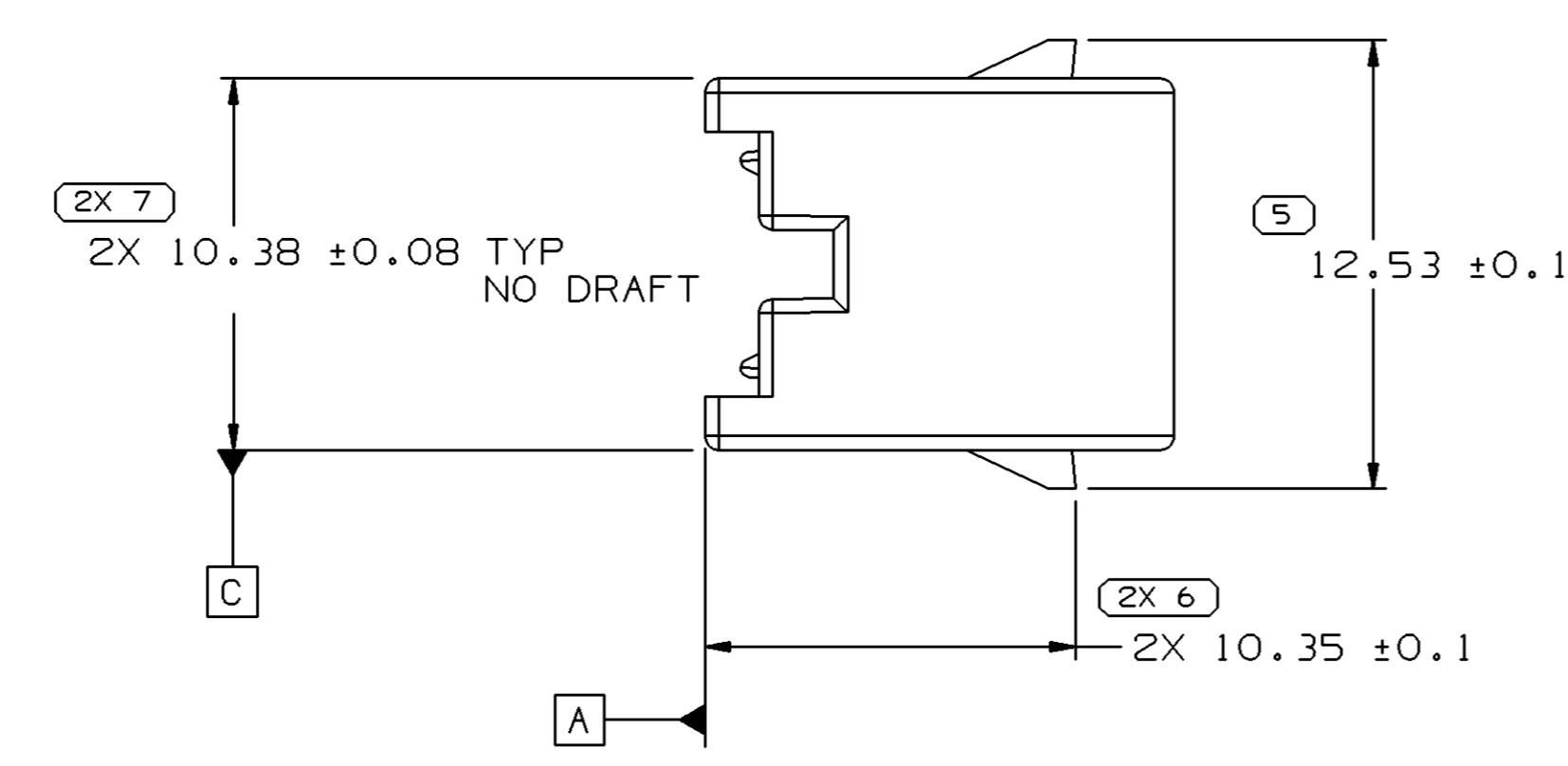
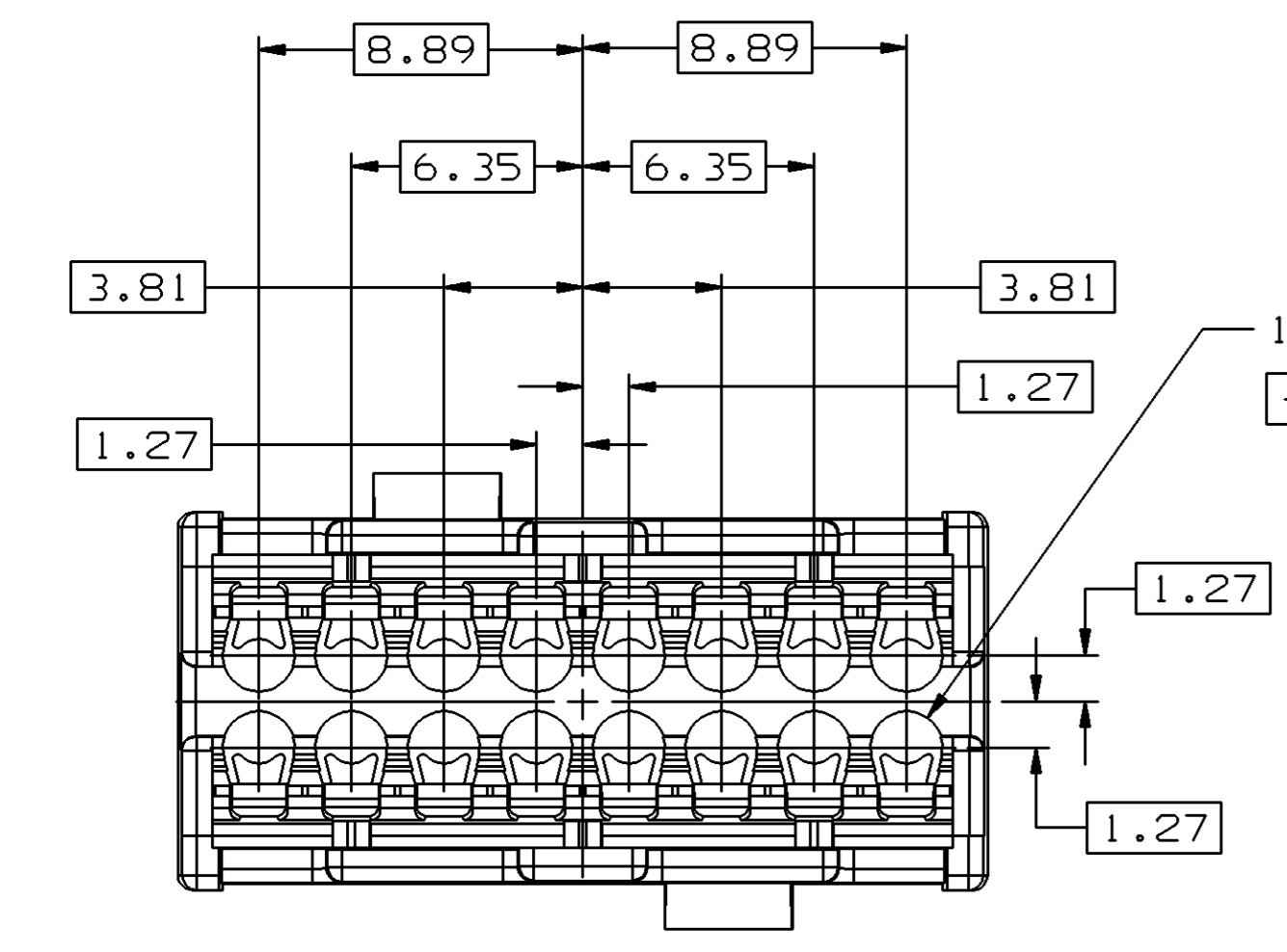
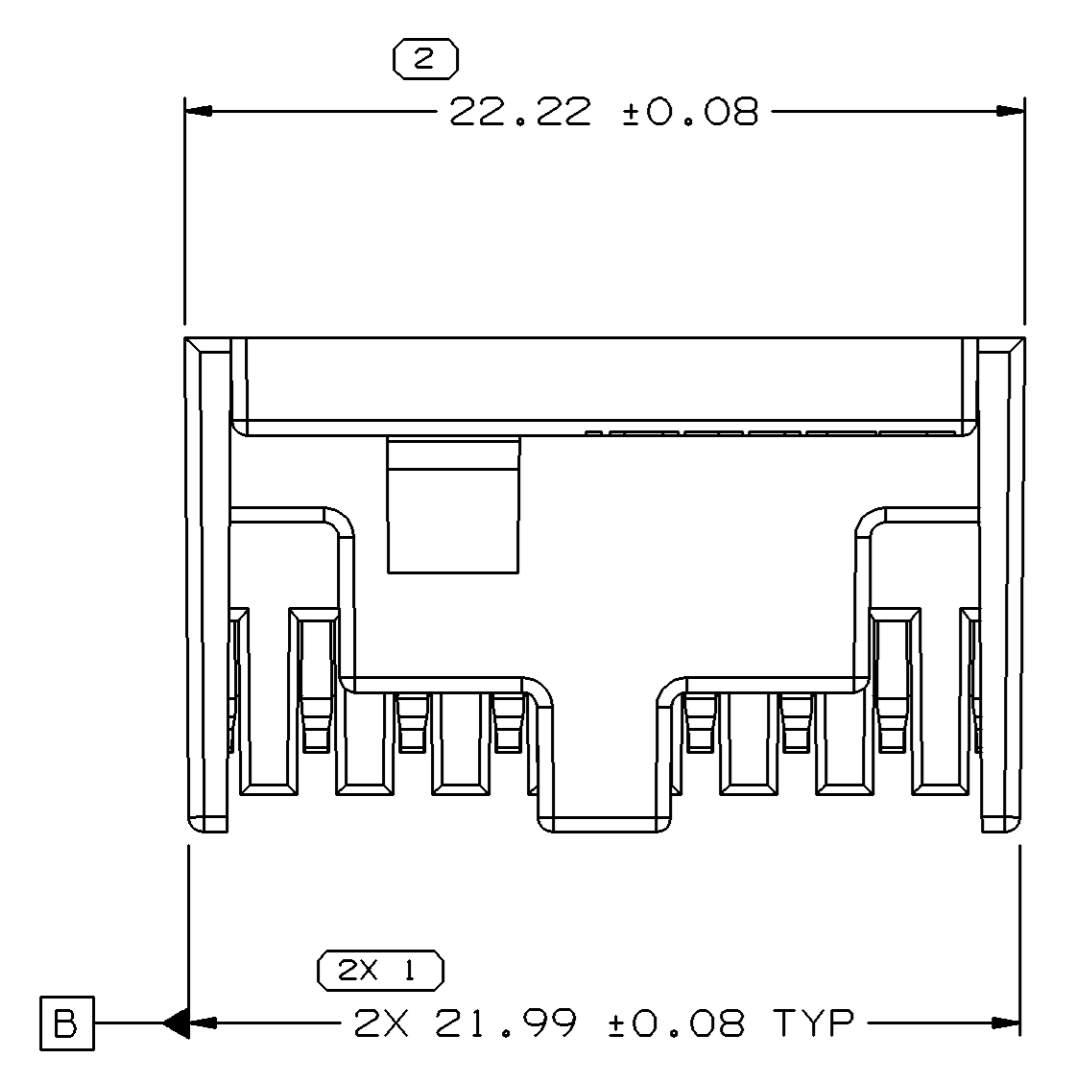


| SYMBOL DEFINITION | | MISSING SYMBOLS | |
|---|----------------------------------|--------------------------|----|
| A DIMENSION WITHOUT AN INSPECTION REPORT SYMBOL  DOES NOT REQUIRE INSPECTION. IT MAY BE CONTROLLED ON THE INDIVIDUAL COMPONENT DRAWING. | TOTAL NO OF INSPECTIONS REQUIRED | NO MISSING SYMBOL NUMBER | 32 |
| | LAST NO. USED | | 8 |

| DWG STATUS | | | | | ZONE | REVISION HISTORY | AUTH | DR | APVD 1 | APVD 2 |
|------------|-----|-----|-----|-----|------|--|--------|-----|--------|--------|
| DATE | STG | REV | N/P | CHG | | | | | | |
| 180C04 | R | 01 | - | - | | WAS PE135102 AND RELEASED | 260151 | ADK | ADK | BD |
| 02MY05 | R | 01 | AA | - | | UPDATED ESD CAVITY, REMOVED SEALING CODE NOTE, ADDED MAX CRIMP DIM TO NOTE 6, UPDATED NOTE 2 TO INCLUDE CAVITY ID INFO | 266390 | CJP | CJP | BMD |
| 16JN05 | R | 01 | AB | - | | REVISED NOTE 7 | 269181 | DAD | DAD | BMD |



- NOTES
- UNLESS OTHERWISE SPECIFIED AND/OR INDICATED:
DIMENSIONS ARE TO FACE OF VIEW SHOWN AND AUTOMATICALLY ROUNDED BY COMPUTER FOR INSPECTION (SEE MATH MODEL FOR PRECISE DIMENSIONS). FOR ALL OTHER DIMENSIONS NOT SHOWN BUT REQUIRED FOR TOOL BUILD, SEE MATH MODEL FOR PRECISE TOOL PATH DATA.
 - THIS PART USED IN ASSEMBLY 15489498. SEE ASSEMBLY DRAWING FOR CAVITY IDENTIFICATION.
 - MATERIAL RECYCLING CODE PER ISO 11469. (1.0)X(0.05) CHARACTERS AS SHOWN TO BE LOCATED ON ANY EXTERIOR SURFACE. OPTIONAL CONSTRUCTION TO BE NO RECYCLE CODE.
 - THIS PART IS NOT CONTROLLED FOR AUTOMATIC FEEDING.
 - REFERENCE MATING COMPONENTS OR EQUIVALENT:
CONNECTOR 15489490
TERMINAL POSITION ASSURANCE 15489491 (DELPHI P/N OR EQUIVALENT)
 - THIS PART ACCEPTS THE FOLLOWING COMPONENTS OR EQUIVALENT:
TERMINAL 15489500, 15489501
MAX INSULATION CRIMP DIMENSION 2.05 X 2.05
 - (1.0)X(0.05) DELPHI CORPORATE BRAND TO BE LOCATED ON ANY EXTERIOR SURFACE, PREFERABLY VISIBLE AT FINAL ASSEMBLY. OPTIONAL CONSTRUCTION TO BE "PED" OR NO LOGO.

| DIMENSIONAL RANGE (MM) | | CHART E1 | |
|------------------------|-------|--------------------------------------|-----------|
| FROM | TO | TOLERANCE UNLESS OTHERWISE SPECIFIED | REFERENCE |
| > 0 | > 20 | ±0.15 | ±1 |
| > 20 | > 30 | ±0.2 | ±1.2 |
| > 30 | > 70 | ±0.3 | ±1 |
| > 70 | > 100 | ±0.4 | ±1 |
| > 100 | > 150 | ±0.5 | ±1 |
| > 150 | > 200 | ±0.6 | ±1 |
| > 200 | > 250 | ±0.8 | ±1 |
| > 250 | > 300 | ±1 | ±1.2 |
| > 300 | > 400 | ±1.2 | ±1.2 |

| | | |
|--|--------------|---------------|
| DWG TYPE | PART DRAWING | |
| STYLE | 2007 GMT-900 | |
| VOLUME (CM³) | 1.232 | DISTR CODE |
| UNLESS OTHERWISE SPECIFIED | | |
| THIS DOCUMENT IS IN ACCORDANCE WITH ASME Y14.5M-1994 AS AMENDED BY THE GM GLOBAL DIMENSIONING AND TOLERANCING ADDENDUM - 1997. ALL GEOMETRIC TOLERANCES AND RELATED DATUMS APPLY RFS. RULE #1 PERFECT FORM AT MMC DOES NOT APPLY WHEN RELATIONSHIP BETWEEN FEATURES IS ESTABLISHED BY ORIENTATION OR LOCATION TOLERANCES. SEPARATE POSITION CALLOUTS MAY BE GAGED SEPARATELY, REGARDLESS OF DATUM REFERENCE. ALL DIMENSIONS ARE IN MILLIMETERS | | |
| THIRD ANGLE PROJECTION | DO NOT SCALE | USE MATH DATA |

DELPHI
DELPHI PACKARD ELECTRIC SYSTEMS
WARREN, OH

| | |
|-------------------------|--------|
| DR | DATE |
| APVD1 ADAM D. KIMBERLIN | 180C04 |
| APVD2 ADAM D. KIMBERLIN | 180C04 |
| APVD3 BARRY DAGGETT | 180C04 |
| APVD4 | |
| APVD5 | |

SUBSTANCES OF CONCERN AND RECYCLED CONTENT PER DELPHI 10949001

MATERIAL
M4629001 PBT GF20 NAT

DRAWING NAME
LOCK INRCONNECT MICRO 64 NAT

DRAWING NUMBER
13509759

| | | | | | | |
|------|-------|----------|----------|-----|-----|-----|
| SIZE | SCALE | FRAME NO | SHEET NO | STG | REV | N/P |
| A1 | 5:1 | 1 OF 1 | 1 OF 1 | R | 01 | AB |