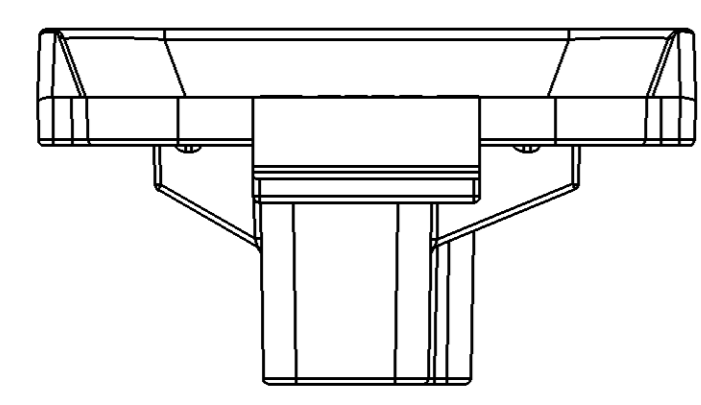
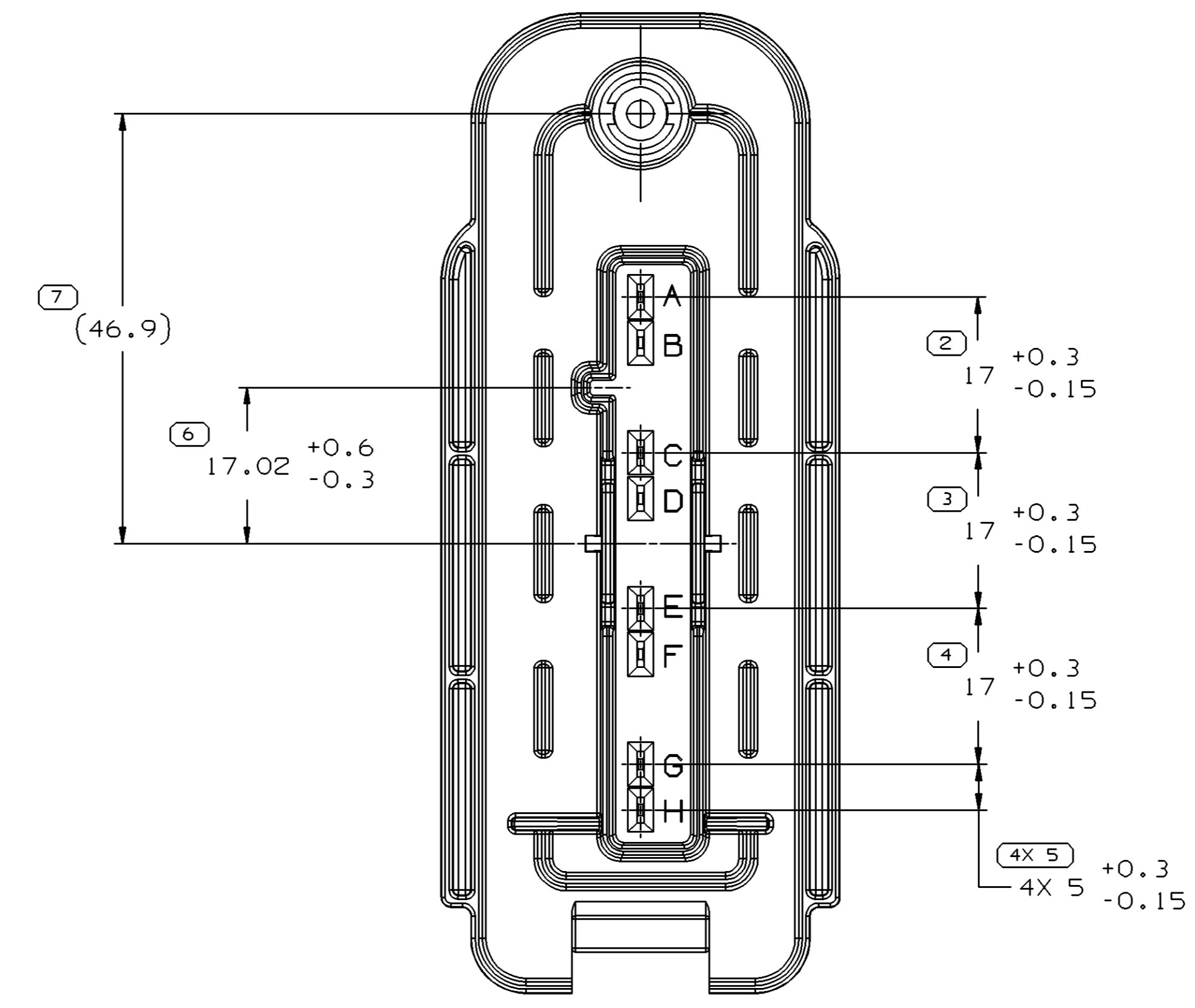
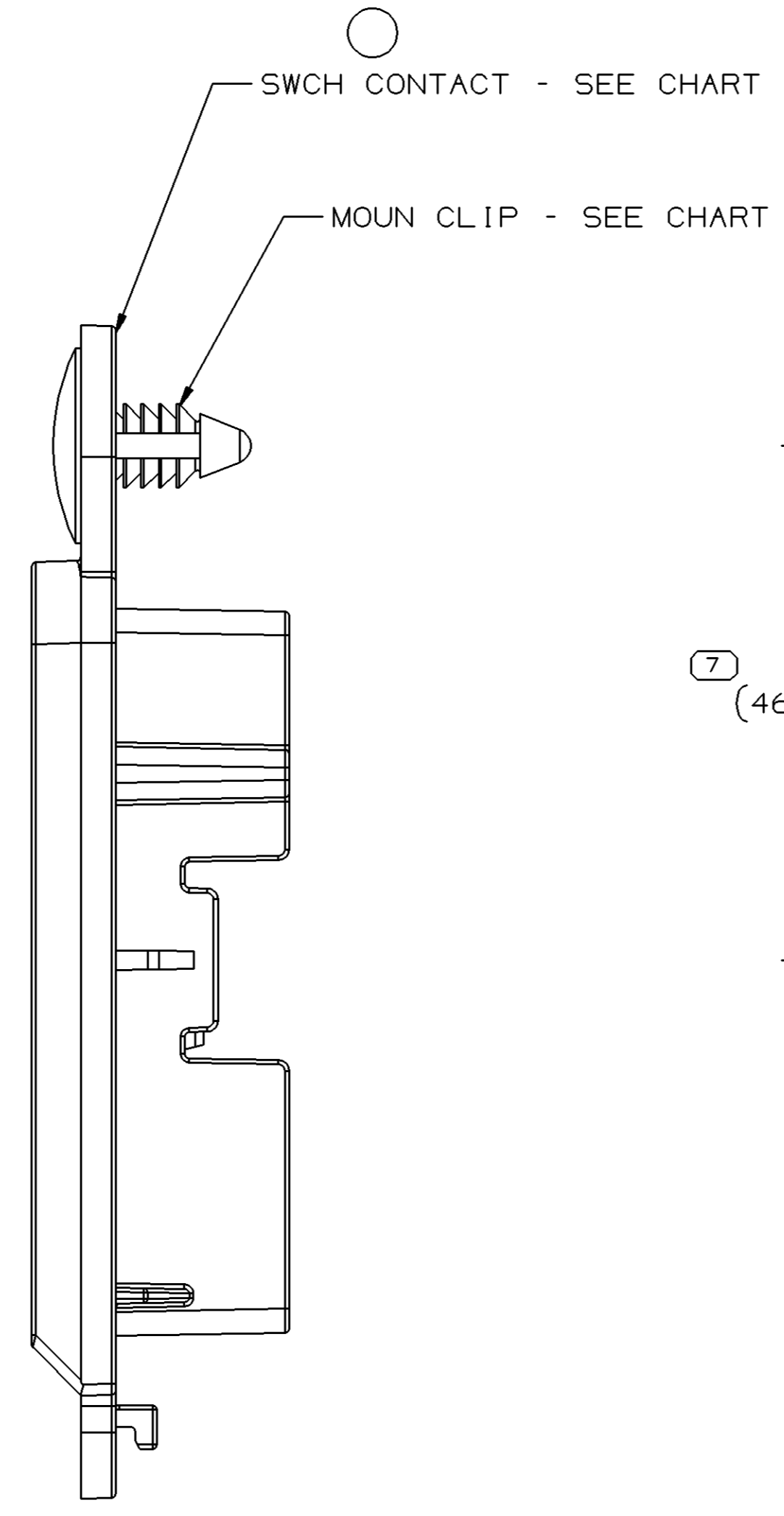
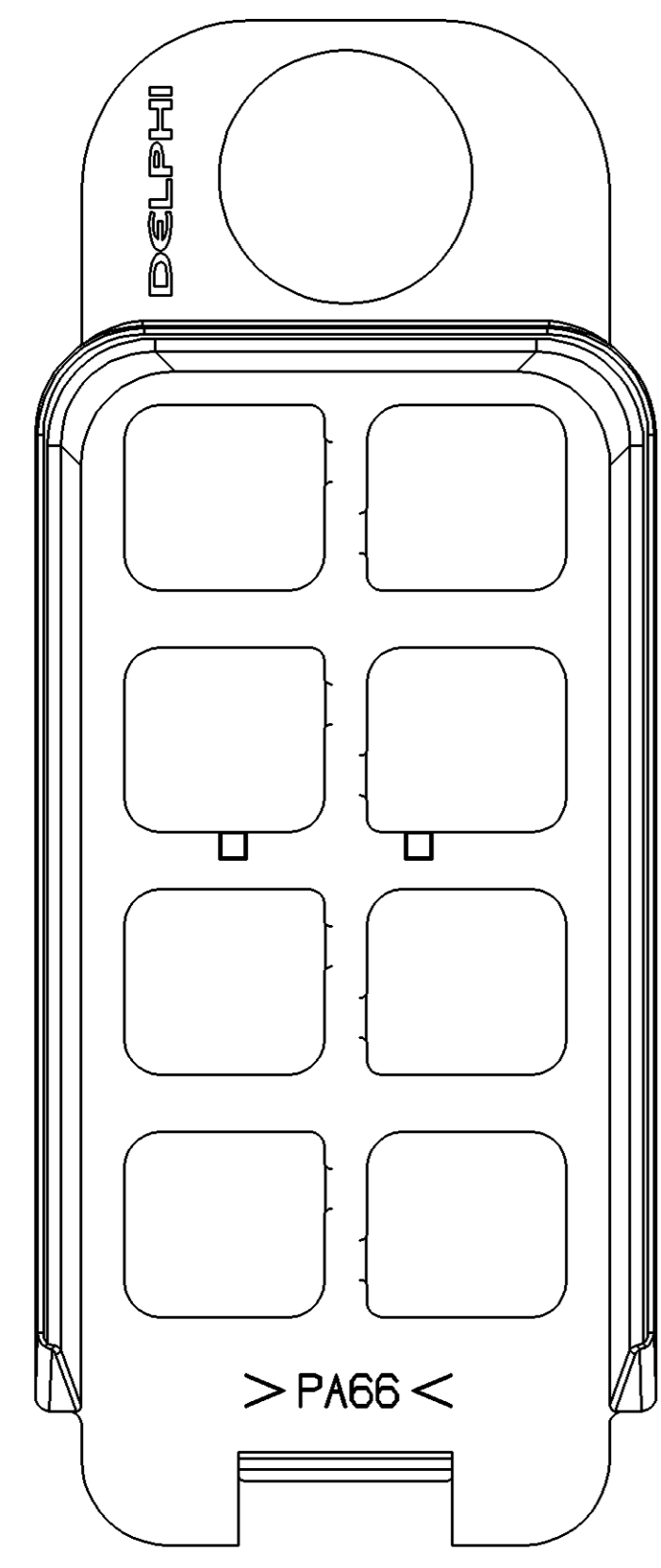
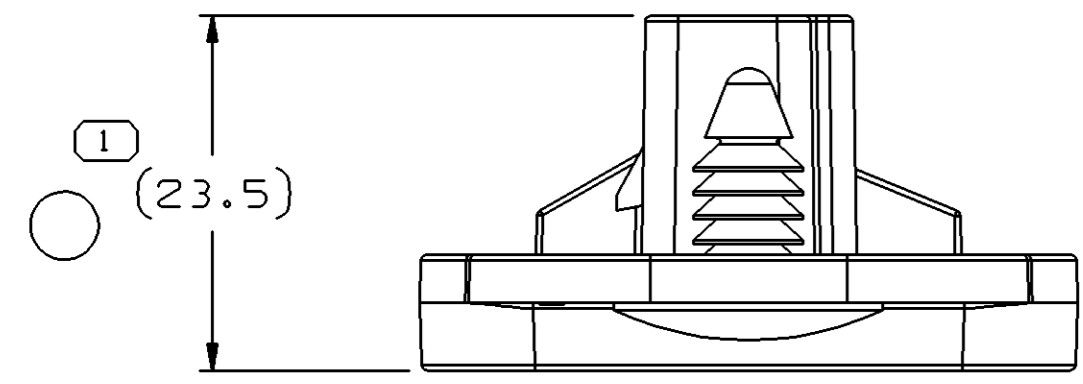


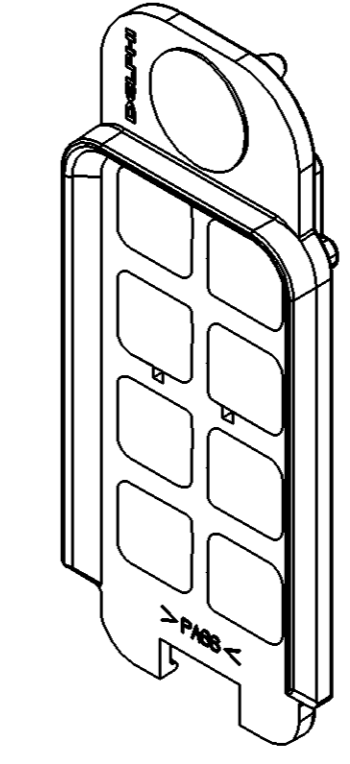
SYMBOL DEFINITION		MISSING SYMBOLS
A DIMENSION WITHOUT AN INSPECTION REPORT SYMBOL DOES NOT REQUIRE INSPECTION. IT MAY BE CONTROLLED ON THE INDIVIDUAL COMPONENT DRAWING.	TOTAL NO OF INSPECTIONS REQUIRED	NO MISSING SYMBOL NUMBER
	10	
	LAST NO. USED	
	7	

DWG STATUS					ZONE	REVISION HISTORY	AUTH	DR	APVD 1	APVD 2
DATE	STG	REV	N/P	CHG						
05JA05	R	01	-	-		WAS PE138236 - RELEASED	261892	RH	RH	TM
18FE05	R	01	AA	-		13512163 WAS 15312163, ADDED ASM CHART, REVISED NOTES, & REVISED PD TO LATEST DRAWING STANDARDS	264586	BRB	BRB	TM
10N005	R	01	AB	-		SWCH CONTACT WAS ASM SWCH AND (23.5) WAS 23.5	274573	J5	J5	TM



NOTES

- UNLESS OTHERWISE SPECIFIED AND/OR INDICATED:
DIMENSIONS ARE TO FACE OF VIEW SHOWN AND AUTOMATICALLY ROUNDED BY COMPUTER FOR INSPECTION (SEE MATH MODEL FOR PRECISE DIMENSIONS). FOR ALL OTHER DIMENSIONS NOT SHOWN BUT REQUIRED FOR TOOL BUILD, SEE MATH MODEL FOR PRECISE TOOL PATH DATA.
- MATERIAL RECYCLING CODE PER ISO 11469. (0.1)X(2.3) CHARACTERS AS SHOWN TO BE LOCATED ON ANY EXTERIOR SURFACE.
- REFERENCE MATING COMPONENTS OR EQUIVALENT:
CONNECTOR 12160716
ASM SW CONN 5W PLUNGER 15409887
ASM SW CONN 7W PLUNGER 15409888
- (0.1)X(1.5) DELPHI CORPORATE BRAND TO BE LOCATED ON ANY EXTERIOR SURFACE, PREFERABLY VISIBLE AT FINAL ASSEMBLY. OPTIONAL CONSTRUCTION TO BE "PED".
- REFERENCE VPS (B-156) CONTACT PAD: (P/N 13512162 & 13512163)



13512162	13512163	00332364
PART NO	SWCH CONTACT	MOUN CLIP

DIMENSIONAL RANGE (MM)		CHART E1	
FROM	TO	>70	>100
>0	>20	>30	>150
>20	>30	>100	>200
>30	>70	>150	>250
>70	>100	>200	>300
>100	>150	>250	>400

TOLERANCE UNLESS OTHERWISE SPECIFIED

±0.15	±0.2	±0.3	±0.4	±0.5	±0.6	±0.8	±1	±1.2
-------	------	------	------	------	------	------	----	------

ANGULAR TOLERANCE ±2°

DWG TYPE: PART DRAWING

STYLE: []

VOLUME (CM³): []

DISTR CODE: D

UNLESS OTHERWISE SPECIFIED

THIS DOCUMENT IS IN ACCORDANCE WITH ASME Y14.5M-1994 AS AMENDED BY THE GM GLOBAL DIMENSIONING AND TOLERANCING ADDENDUM-2001. SEPARATE PATTERNS OF FEATURES MAY BE GAGED SEPARATELY REGARDLESS OF DATUM REFERENCES.

ALL DIMENSIONS ARE IN MILLIMETERS

THIRD ANGLE PROJECTION

DO NOT SCALE

USE MATH DATA

UNIGRAPHICS

DELPHI

DELPHI PACKARD ELECTRIC SYSTEMS
WARREN, OH

DR	DATE
APVD1 ROBERT HURD	05JA05
APVD2 ROBERT HURD	05JA05
APVD3 T. MADDEN	07JA05
APVD4	
APVD5	

SUBSTANCES OF CONCERN AND RECYCLED CONTENT PER DELPHI 10949001

MATERIAL SEE DRAWING

DRAWING NAME: ASM SWCH CONTACT M/P 280 BLK

DRAWING NUMBER: 13512162

SIZE	SCALE	FRAME NO	SHEET NO	STG	REV	N/P	AB
A1	2:1	1 OF 1	1 OF 1	R	01	AB	