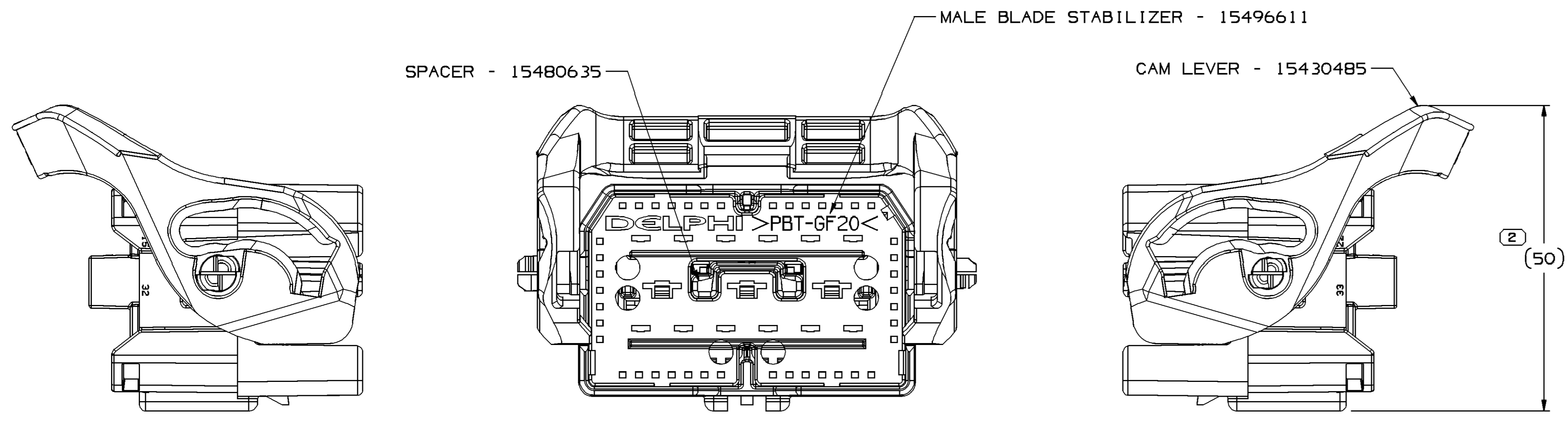
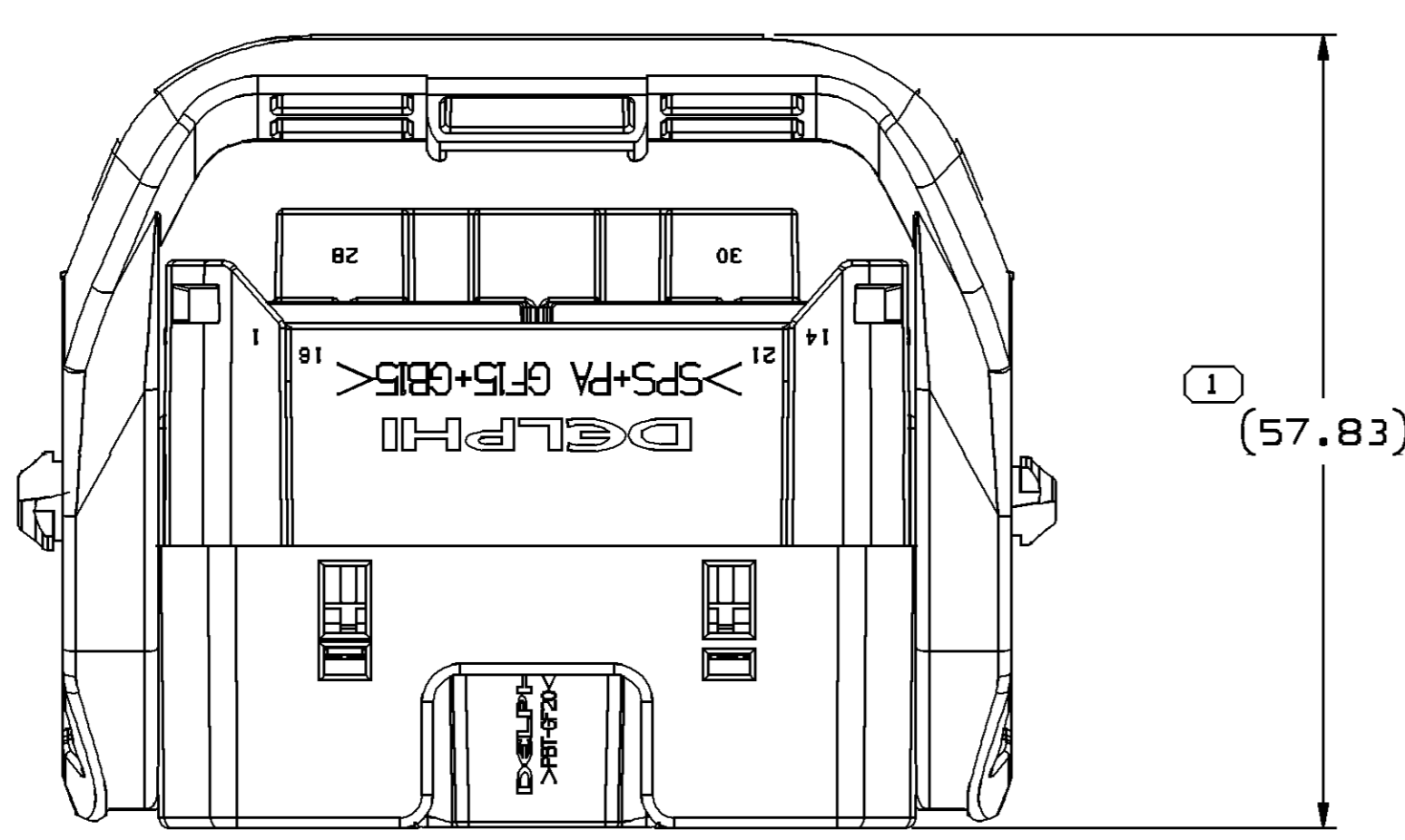
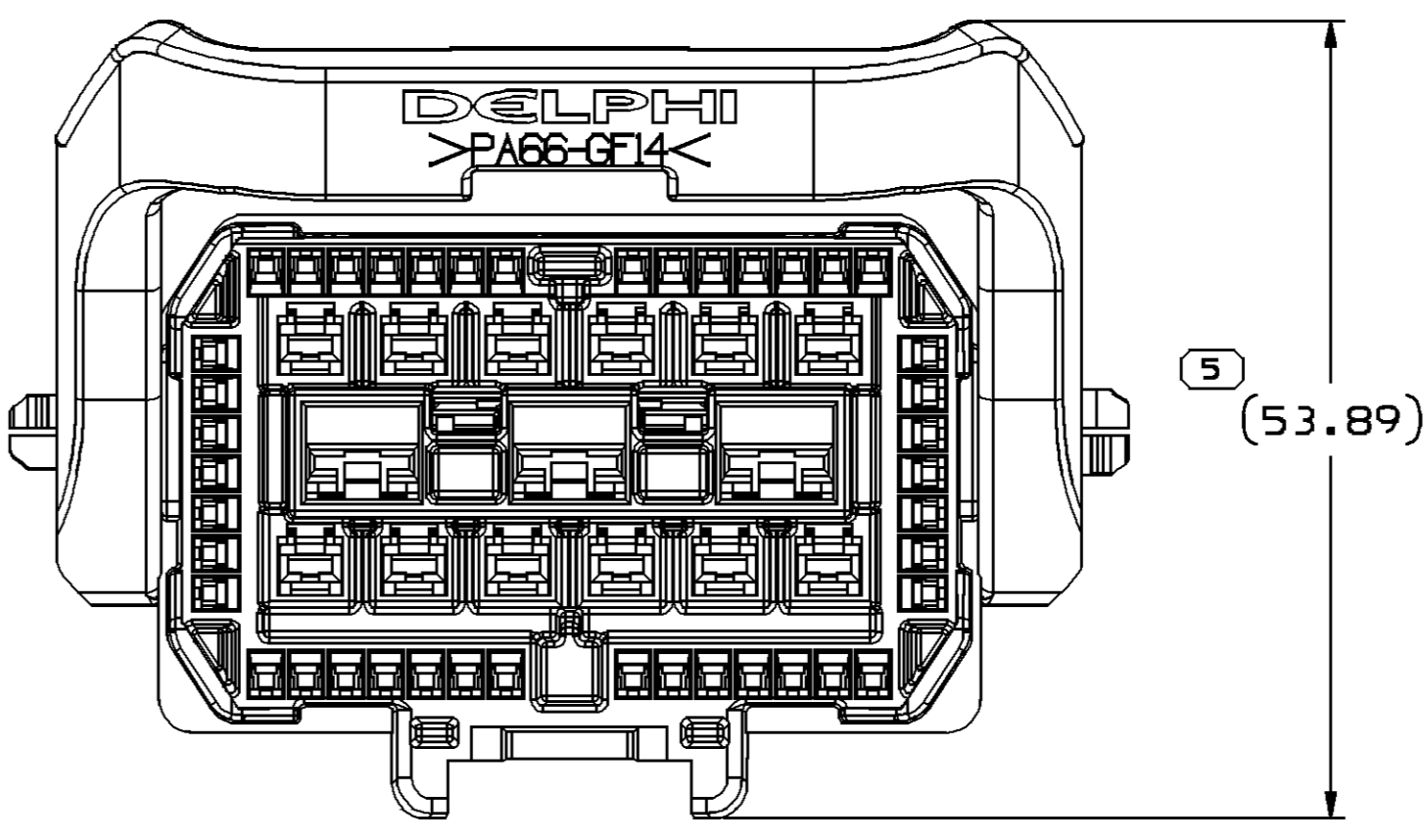
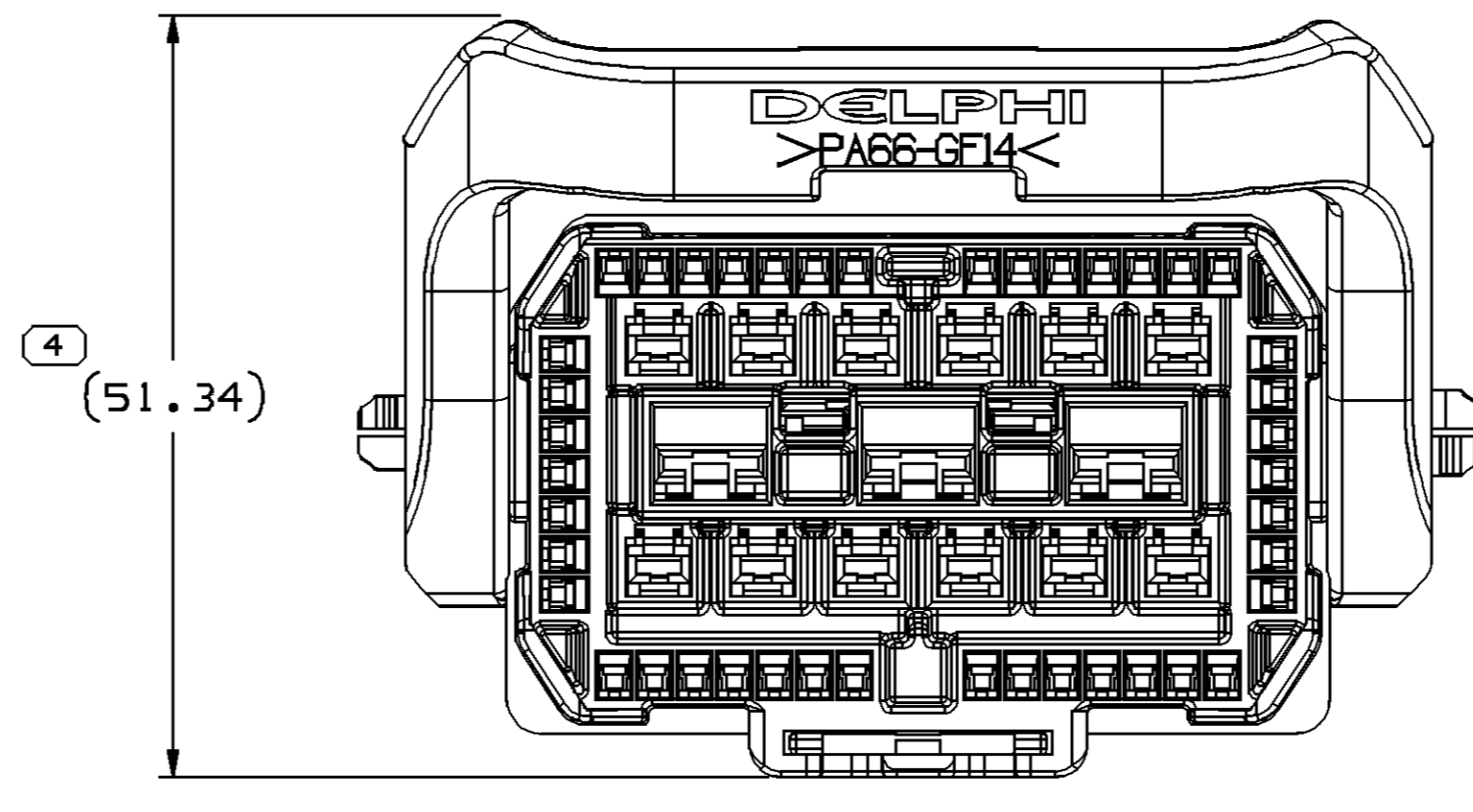
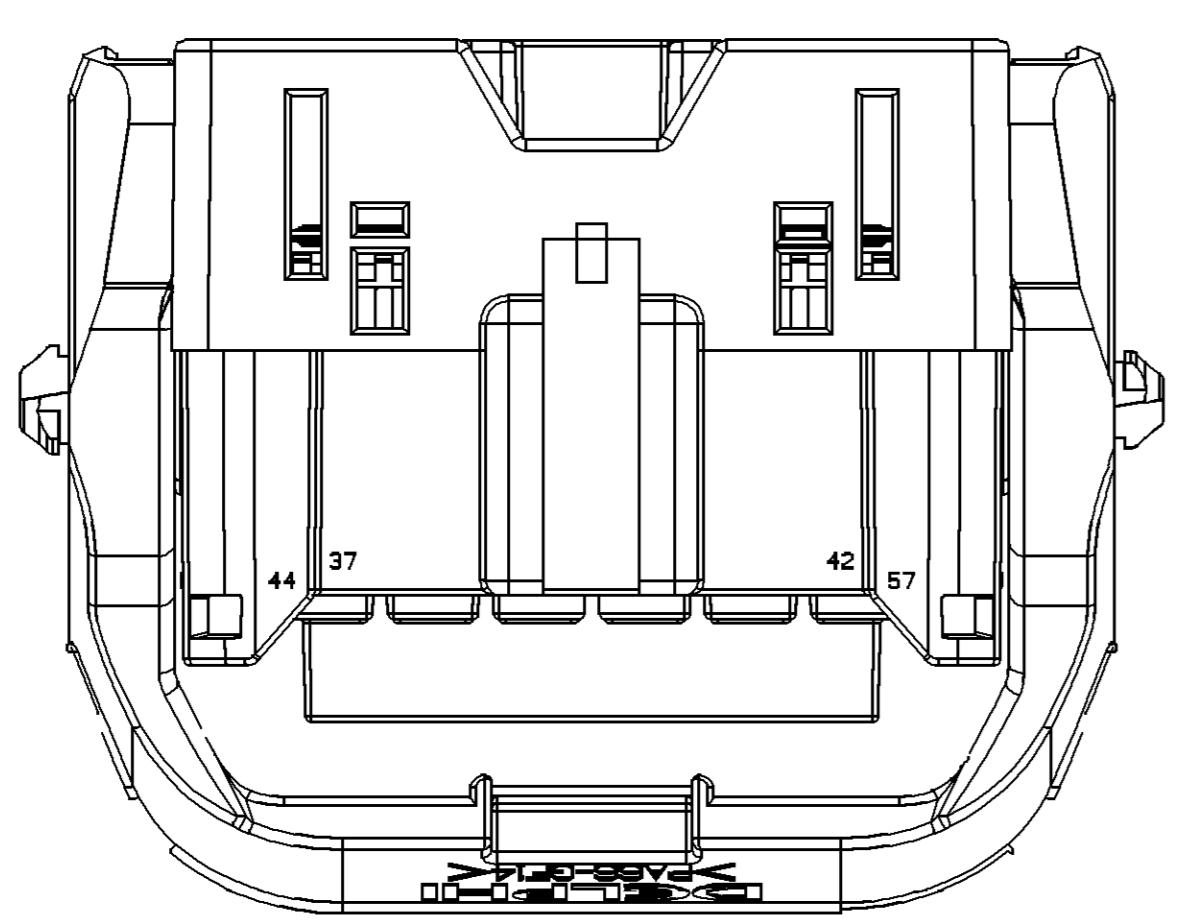
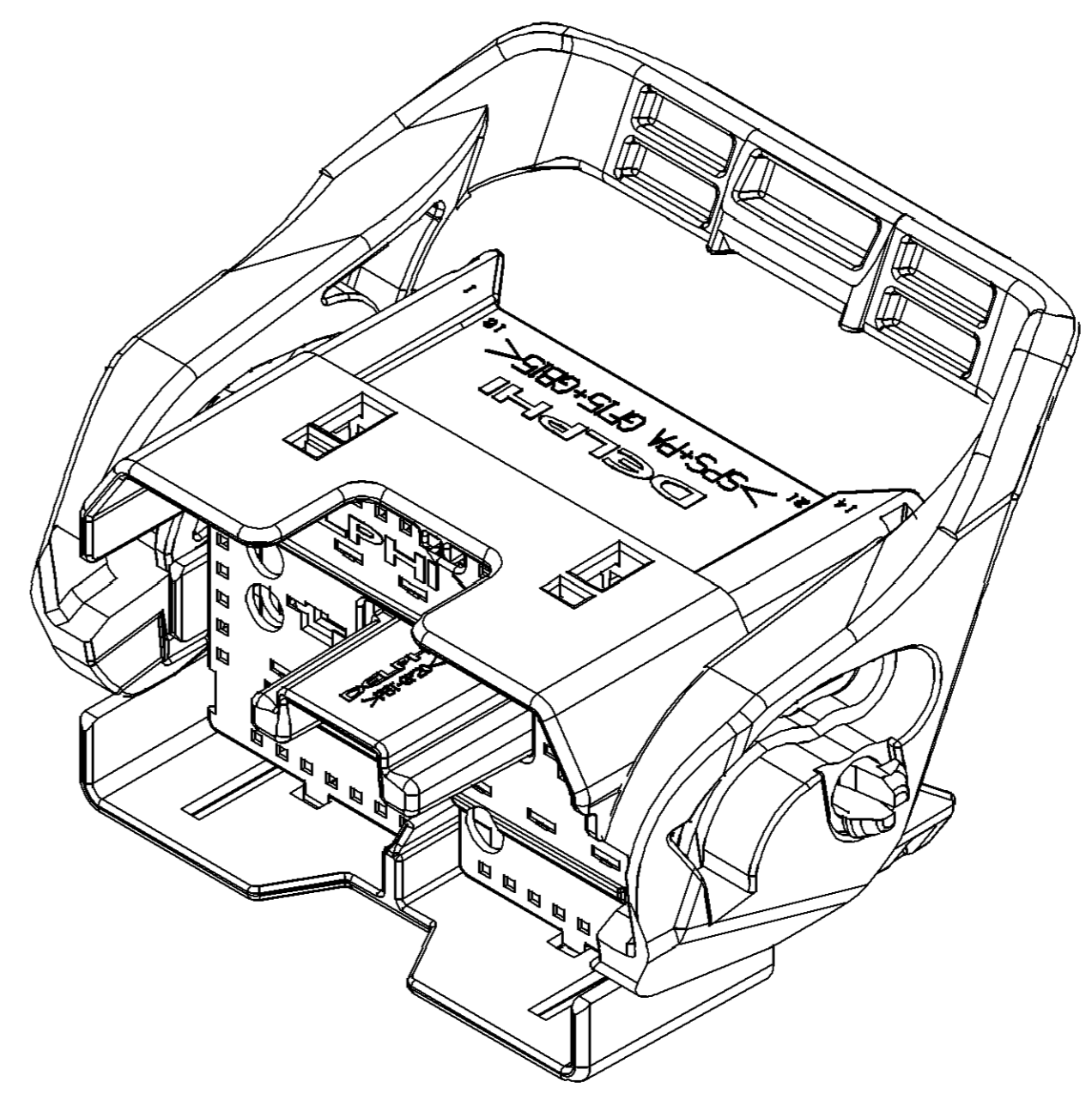
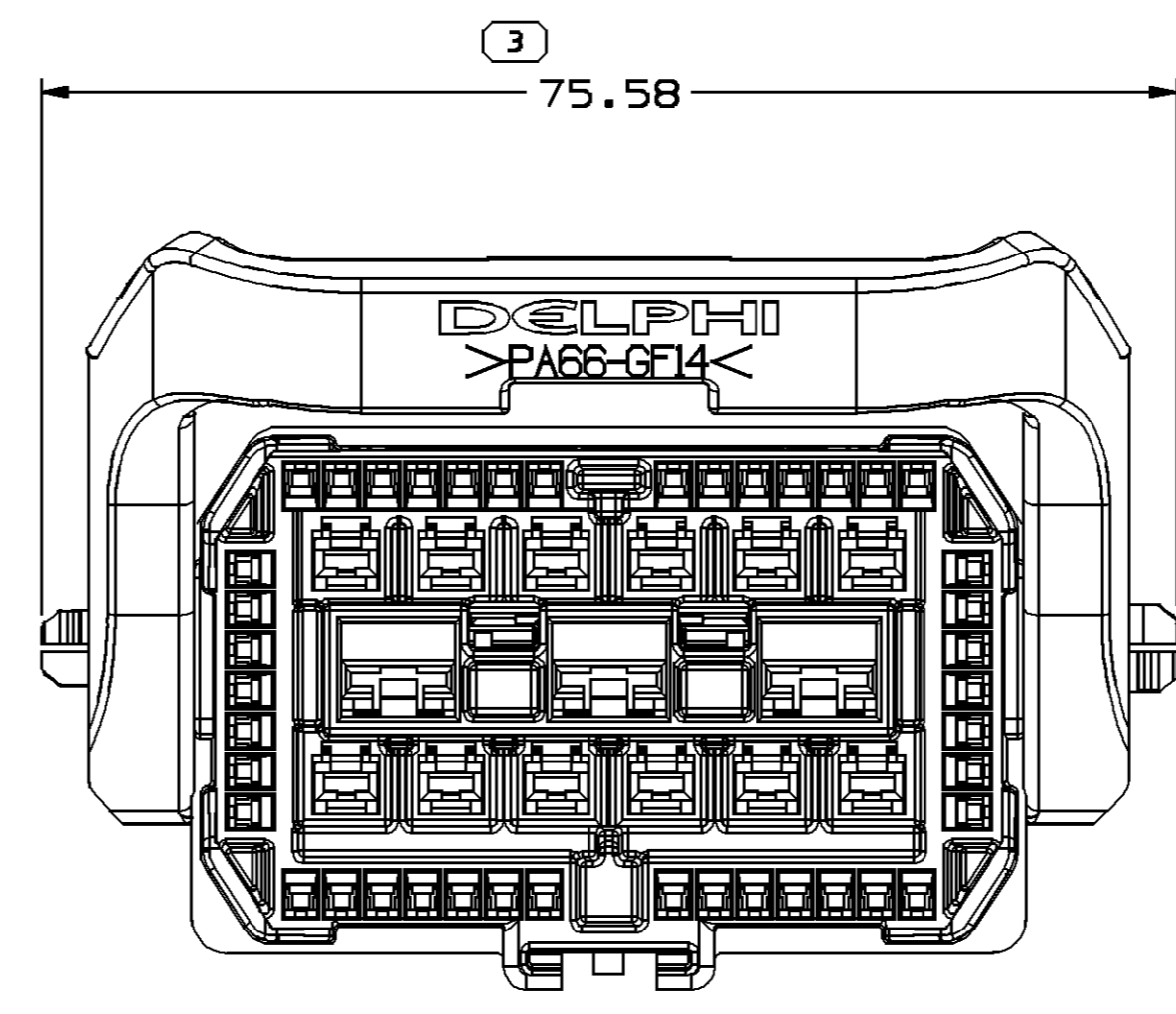


SYMBOL DEFINITION		TOTAL NO OF INSPECTIONS REQUIRED	MISSING SYMBOLS
A DIMENSION WITHOUT AN INSPECTION REPORT SYMBOL DOES NOT REQUIRE INSPECTION. IT MAY BE CONTROLLED ON THE INDIVIDUAL COMPONENT DRAWING.		5	NO MISSING SYMBOL NUMBER
		5	

DATE				REV		N/P		CHG		ZONE		REVISION HISTORY		AUTH		DR		AP/VD	
19N004	R	01	-	-	-	-	-	-	-	-	-	RELEASED	261194	EES	EES	RAP			
20JA05	R	02	-	-	-	-	-	-	-	-	-	ALL PARTS - REVISED BASE CONN GRAPHICS	263484	EES	EES	RAP			
09MR06	R	03	-	-	-	-	-	-	-	-	-	13575131 - RELEASED	277673	PCP	PCP	EJB			
16JA08	R	04	-	-	-	-	-	-	-	-	-	ALL PARTS REVISED DRAWING NOTES AND CREATED AD	403222	JS	JS	EJB			

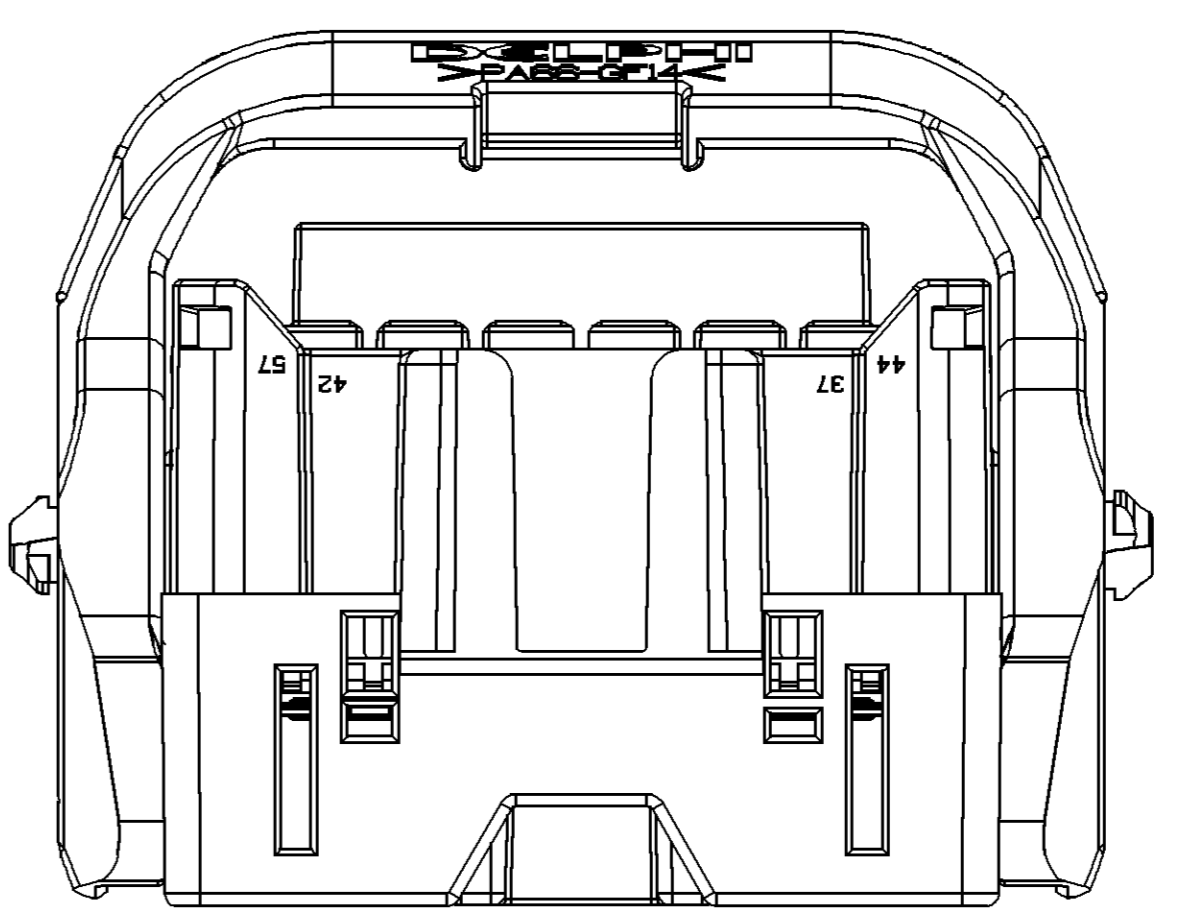
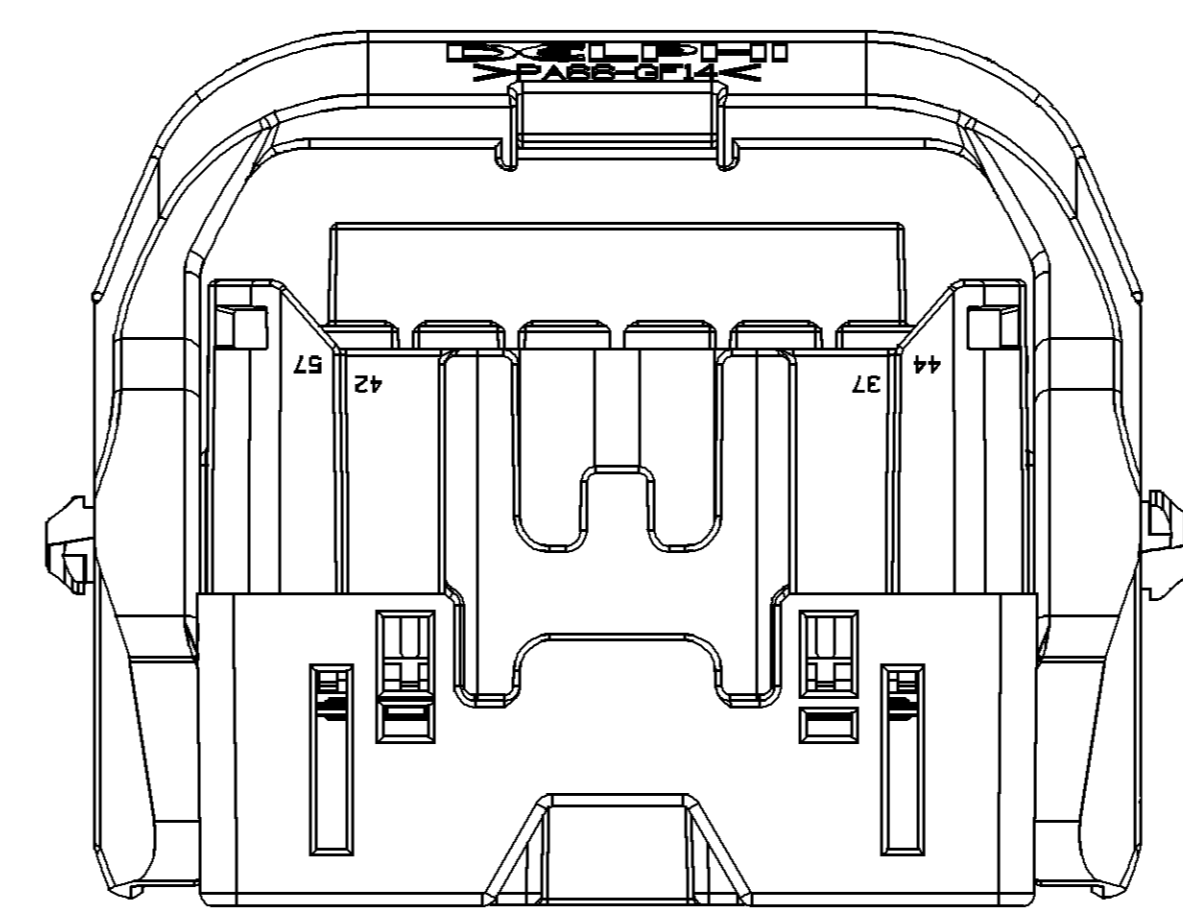


TYPE 101



TYPE 102  
SAME AS TYPE 101  
EXCEPT AS SHOWN

TYPE 103  
SAME AS TYPE 101  
EXCEPT AS SHOWN



- NOTES
- UNLESS OTHERWISE SPECIFIED AND/OR INDICATED:  
DIMENSIONS ARE TO FACE OF VIEW SHOWN AND AUTOMATICALLY ROUNDED BY COMPUTER FOR INSPECTION (SEE MATH MODEL FOR PRECISE DIMENSIONS). FOR ALL OTHER DIMENSIONS NOT SHOWN BUT REQUIRED FOR TOOL BUILD, SEE MATH MODEL FOR PRECISE TOOL PATH DATA.
  - SEALING CODE 0 - UNSEALED
  - PART DESIGNED TO BE USED WITH APPROPRIATE DELPHI PACKARD ELECTRIC SYSTEMS APPROVED HARNESS ASSEMBLY BUILD FIXTURES OR DELPHI APPROVED EQUIVALENT.
  - PART IS TO BE PROCESSED USING DELPHI PACKARD ELECTRIC SYSTEMS BEST PRACTICE METHOD OR DELPHI CUSTOMER ASSEMBLY INSTRUCTIONS. NEW APPLICATIONS REQUIRE DELPHI APPROVAL OF HARNESS MAKERS BUILD AND TEST FIXTURES.
  - THIS PRODUCT IS NOT CATEGORIZED AS AN APPEARANCE ITEM. MINOR IMPERFECTIONS INCLUDING, BUT NOT LIMITED TO, FLOW MARKS, COLOR BLEMISHES, GATE VESTIGE, AND SOFT FLASH THAT DO NOT AFFECT THE FIT, FORM, OR FUNCTION OF THE PART ARE PERMISSIBLE PER NAP 4.10-1B.
  - FOR APPLICATION DATA SEE THE INDIVIDUAL APPLICATION DRAWINGS.

PART NO	REV	N/P	STATUS	COLOR	TYPE	BASE CONNECTOR
13575131	01	AA	-	BLK	103	13575130
13515731	01	AB	-	NAT	103	13515727
13515730	01	AB	-	NAT	102	13515726
13515729	01	AB	-	NAT	101	13515725

DIMENSIONAL RANGE (MM)		SHORT ET
FROM	> 0	> 30
TO	> 20	> 70
	> 70	> 100
	> 100	> 150
	> 150	> 200
	> 200	> 250
	> 250	> 300
	> 300	> 400
	> 400	> 500
	> 500	> 600
	> 600	> 700
	> 700	> 800
	> 800	> 900
	> 900	> 1000

UNLESS OTHERWISE SPECIFIED  
TOLERANCE UNLESS OTHERWISE SPECIFIED:  
ANGULAR TOLERANCE 2°

THIRD ANGLE PROJECTION  
DO NOT SCALE  
USE MATH DATA

**DELPHI**  
DELPHI PACKARD ELECTRICAL/ELECTRONIC ARCHITECTURE  
HYBRID, DR

DR	DATE
APV01 E. SEIDEL	19N004
APV02 E. SEIDEL	19N004
APV03 RON PUHL	19N004
APV04	
APV05	

UNLESS OTHERWISE SPECIFIED  
THIS DOCUMENT IS IN ACCORDANCE WITH ASME Y14.5M-1994  
AS AMENDED BY THE 2003 DIMENSIONING AND TOLERANCE  
TELEPHONE NUMBER 1-800-4-A-DELPHI  
AND RELATED DATA APPL. RES. FILE # (PERFECT FORM AT  
MFG. DOES NOT IMPLY A RELATIONSHIP BETWEEN FEATURES  
IS ESTABLISHED BY ORIENTATION OR LOCATION TOLERANCES.  
SEPARATE POSITION CALLOUTS MAY BE SHOWN SEPARATELY,  
REGARDLESS OF DATUM REFERENCE.  
ALL DIMENSIONS ARE IN MILLIMETERS.

DRAWING NAME  
TAXI ASM CONN M HYBRID MIXED

DRAWING NUMBER  
**13515732**

SCALE: 2:1  
FRAME NO: 1 OF 2  
SHEET NO: 1 OF 1  
REV: R 04