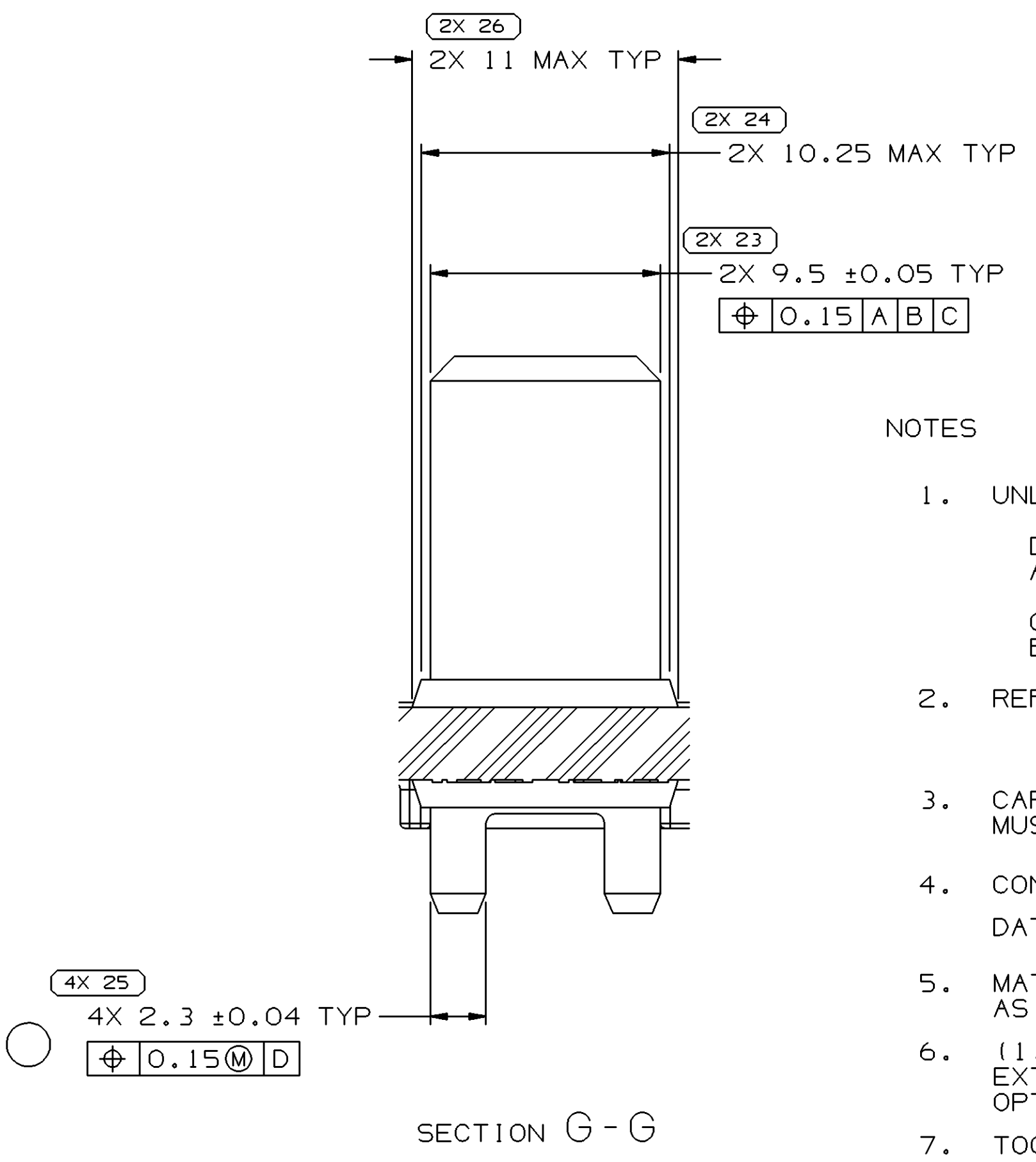
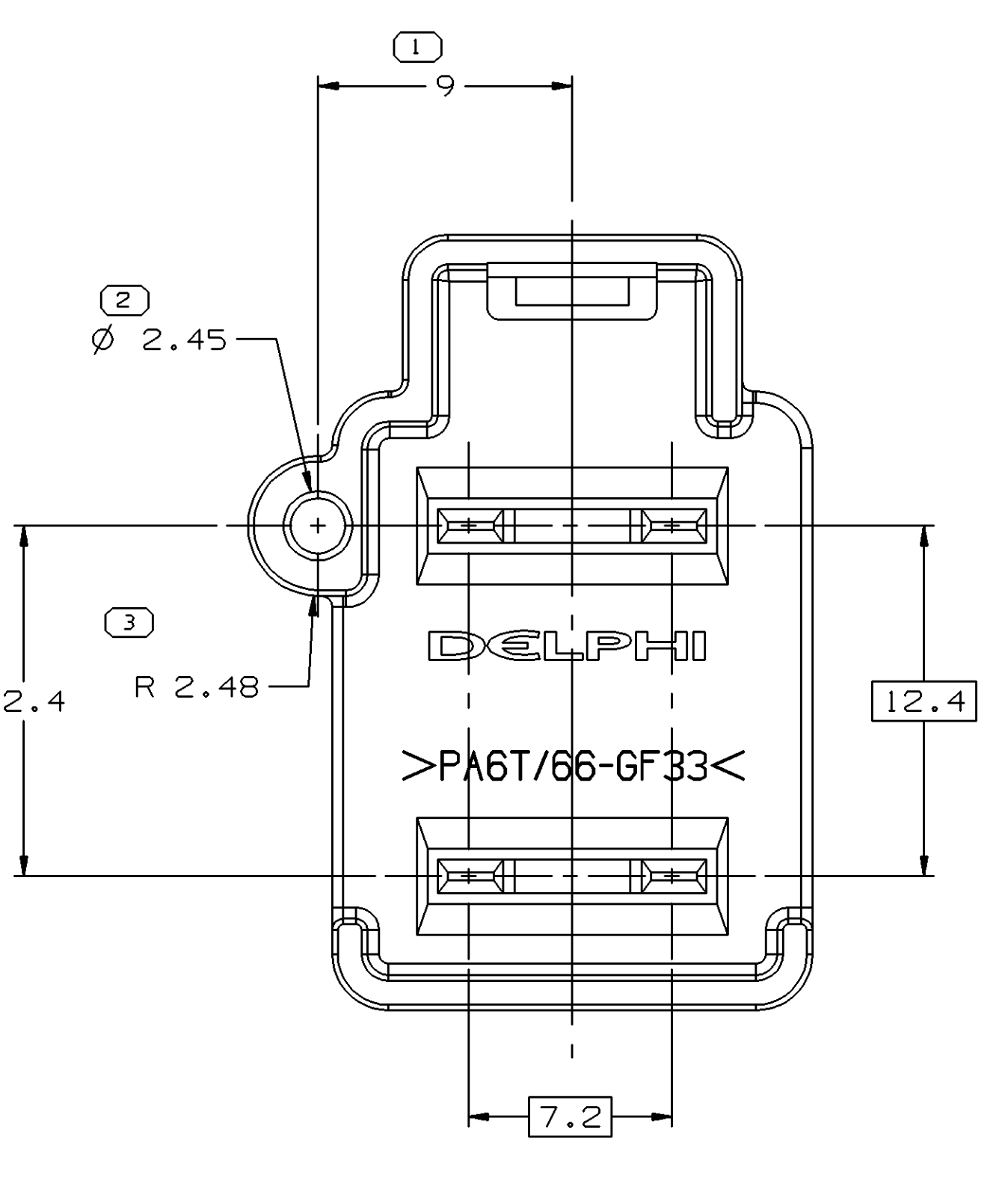
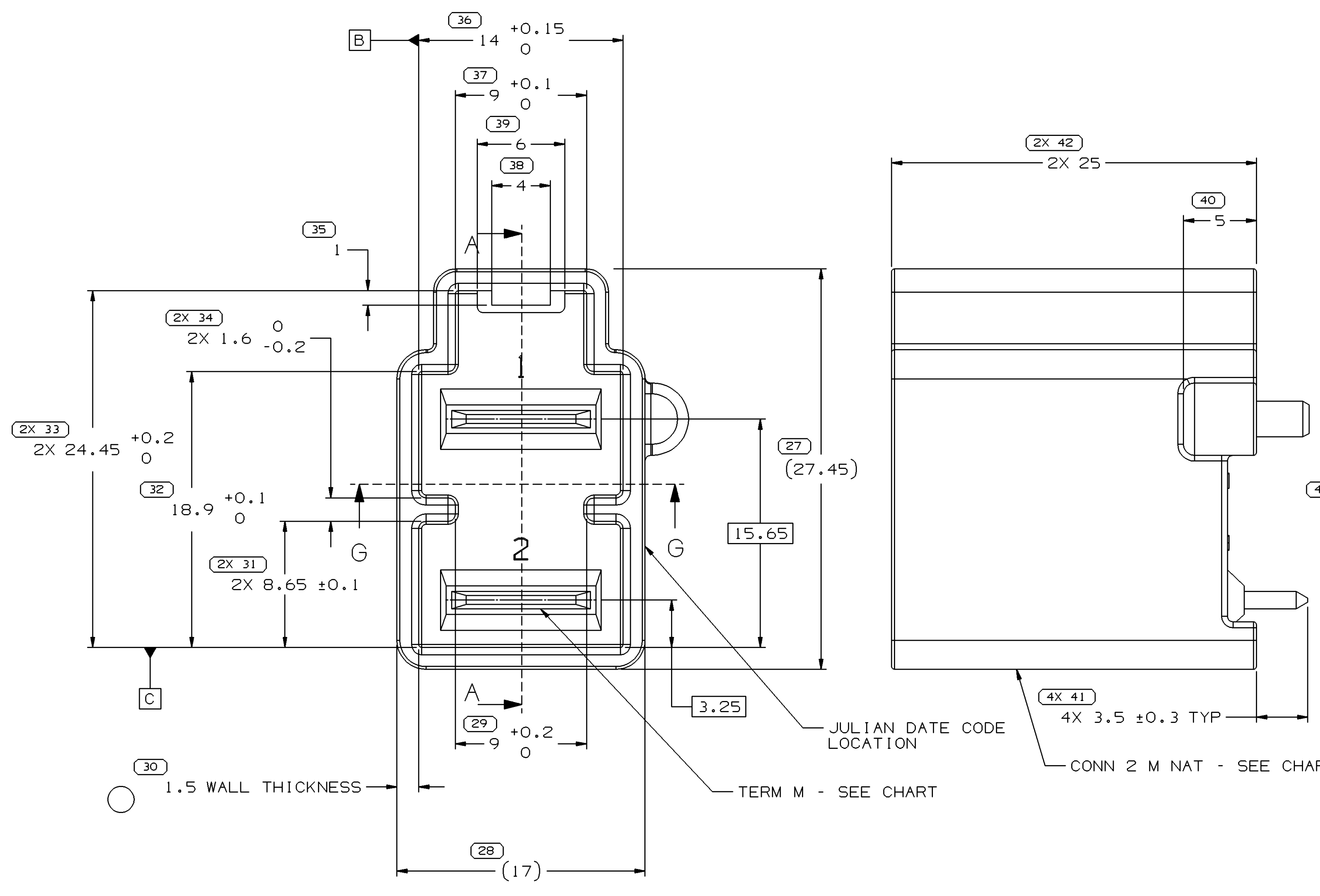
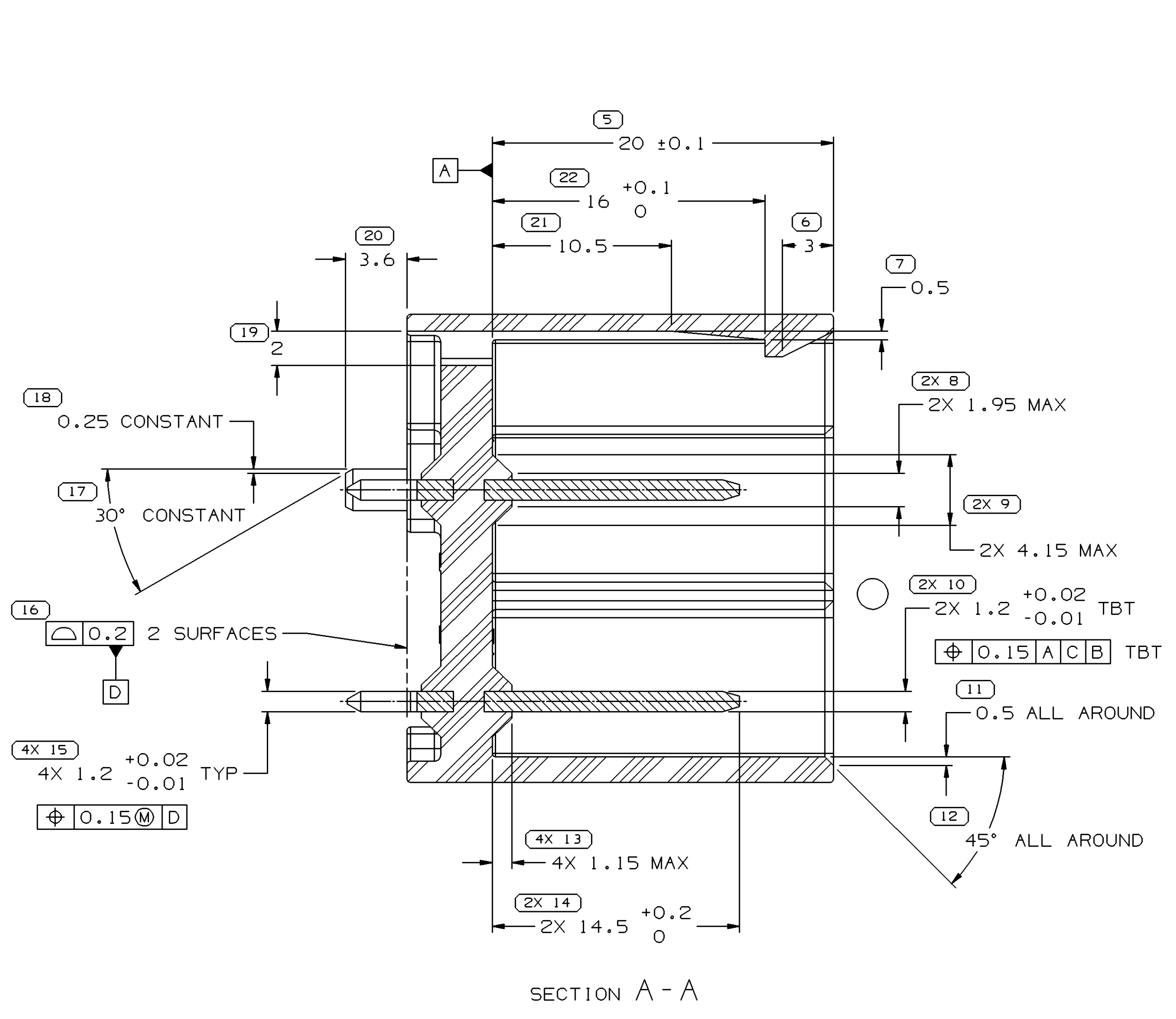
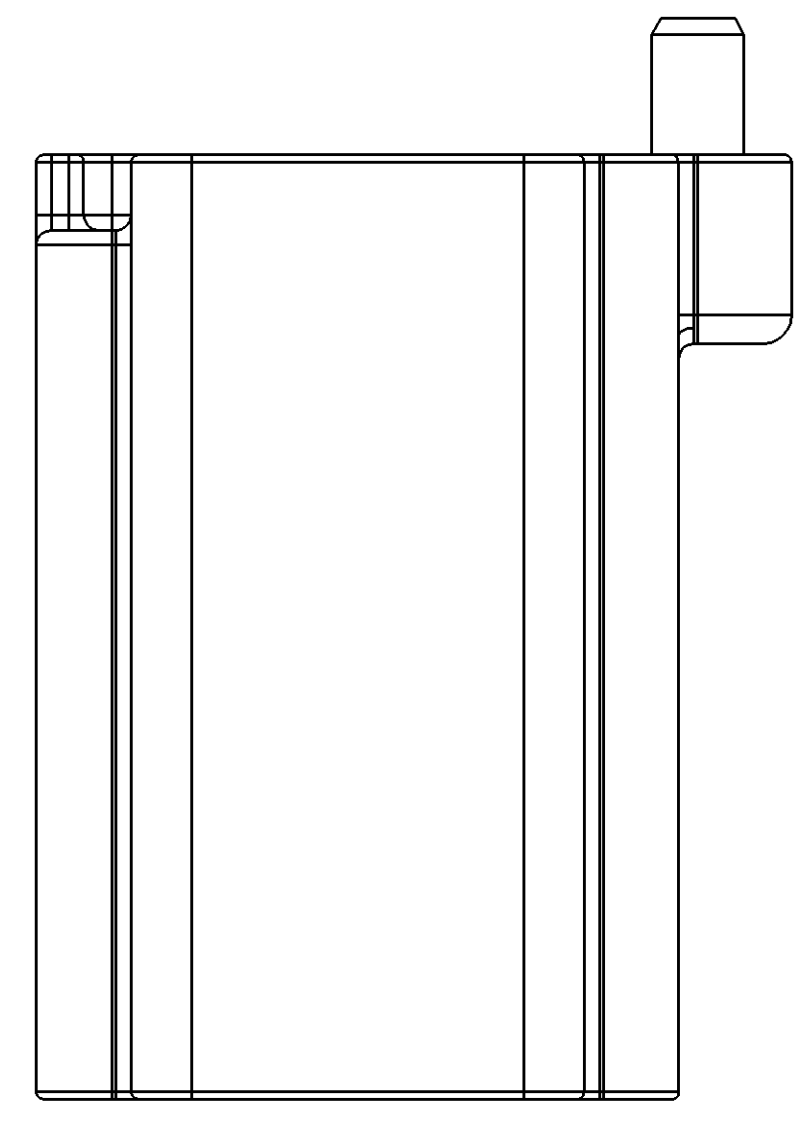


SYMBOL DEFINITION		TOTAL NO OF INSPECTIONS REQUIRED	MISSING SYMBOLS
A DIMENSION WITHOUT AN INSPECTION REPORT SYMBOL DOES NOT REQUIRE INSPECTION. IT MAY BE CONTROLLED ON THE INDIVIDUAL COMPONENT DRAWING.		65	NO MISSING SYMBOL NUMBER
	LAST NO. USED	42	

DWO STATUS				REVISION HISTORY			AUTH	DR	APVD
DATE	STG	REV	N/P	CHG	ZONE				
04MR05	R	01	-	-	-	WAS PE131325 AND RELEASED.	256054	JEB	JEB
07AP05	R	01	AA	-	-	ADDED NOTES 5,6, AND 7	265800	DAD	DAD
31MY05	R	01	AB	-	-	ADDED JULIAN DATE NOTE, REVISED NOTE 2	268408	RH	RH
24JN05	R	02	-	-	-	DIM #25 WAS 2X 2.3 +0.04/-0.01 TYP; REVISED DIMS #10 & #30	269574	JS	JS



- NOTES
- UNLESS OTHERWISE SPECIFIED AND/OR INDICATED: DIMENSIONS ARE TO FACE OF VIEW SHOWN AND AUTOMATICALLY ROUNDED BY COMPUTER FOR INSPECTION (SEE MATH MODEL FOR PRECISE DIMENSIONS). FOR ALL OTHER DIMENSIONS NOT SHOWN BUT REQUIRED FOR TOOL BUILD, SEE MATH MODEL FOR PRECISE TOOL PATH DATA.
  - REFERENCE MATING COMPONENTS OR EQUIVALENT: CONNECTOR YAZAKI 7123-4123-30.
  - CAPABILITY OF TERMINAL HEIGHT & TERMINAL TRUE POSITION MUST BE PROVIDED AT PPAP.
  - CONNECTOR INNER DIM 14 FROM DATUM [B] AND DIM 18.9 FROM DATUM [C] MUST BE PROVIDED AT PPAP.
  - MATERIAL RECYCLING CODE PER ISO 11469. (1.0)X(0.1) CHARACTERS AS SHOWN TO BE LOCATED ON ANY EXTERIOR SURFACE.
  - (1.0)X(0.1) DELPHI CORPORATE BRAND TO BE LOCATED ON ANY EXTERIOR SURFACE, PREFERABLY VISIBLE AT FINAL ASSEMBLY. OPTIONAL CONSTRUCTION FOR EXISTING TOOLING MAY BE "PED".
  - TOOL DRAFT PERMISSIBLE WITHIN DIMENSIONAL TOLERANCES SHOWN.

13522997		2		TERM M	
13522996		1		CONN 2 M NAT	
PART NO	QTY	DESCRIPTION			
		CONN 2 M NAT			

DIMENSIONAL RANGE (MM)		TOLERANCE UNLESS OTHERWISE SPECIFIED		CHART ET	
FROM	TO				
> 0	> 20	> 30	> 70	> 100	> 150
> 20	> 30	> 70	> 100	> 150	> 200
> 30	> 70	> 100	> 150	> 200	> 250
> 70	> 100	> 150	> 200	> 250	> 300
> 100	> 150	> 200	> 250	> 300	> 400
TOLERANCE UNLESS OTHERWISE SPECIFIED		TOLERANCE UNLESS OTHERWISE SPECIFIED		TOLERANCE UNLESS OTHERWISE SPECIFIED	
±0.15   ±0.2   ±0.3   ±0.4   ±0.5   ±0.6   ±0.8   ±1   ±1.2		±0.15   ±0.2   ±0.3   ±0.4   ±0.5   ±0.6   ±0.8   ±1   ±1.2		±0.15   ±0.2   ±0.3   ±0.4   ±0.5   ±0.6   ±0.8   ±1   ±1.2	
ANGULAR TOLERANCE ±2°		ANGULAR TOLERANCE ±2°		ANGULAR TOLERANCE ±2°	

**DELPHI**  
DELPHI PACKARD ELECTRIC SYSTEMS  
WARREN, OH

DR	DATE
APVD1 J. BANKSTON	04MR05
APVD2 J. BANKSTON	04MR05
APVD3 J. SCHNEIDER	04MR05
APVD4	

UNLESS OTHERWISE SPECIFIED  
THIS DOCUMENT IS IN ACCORDANCE WITH ASME Y14.5M-1994  
AS MODIFIED BY THE DIMENSIONAL DIMENSIONING AND TOLERANCING ADDENDUM-2001. SEPARATE PATTERNING OF FEATURES MAY BE OBTAINED SEPARATELY REGARDLESS OF REFERENCES.

ALL DIMENSIONS ARE IN MILLIMETERS

REFERENCE

DO NOT SCALE  
USE MATH DATA

THIRD ANGLE PROJECTION

UNSPRINTED

DRAWING NUMBER  
**13522996**

SIZE A0 SCALE 5:1 FRAME NO 1 OF 1 SHEET NO 1 OF 1 REV N/P 02