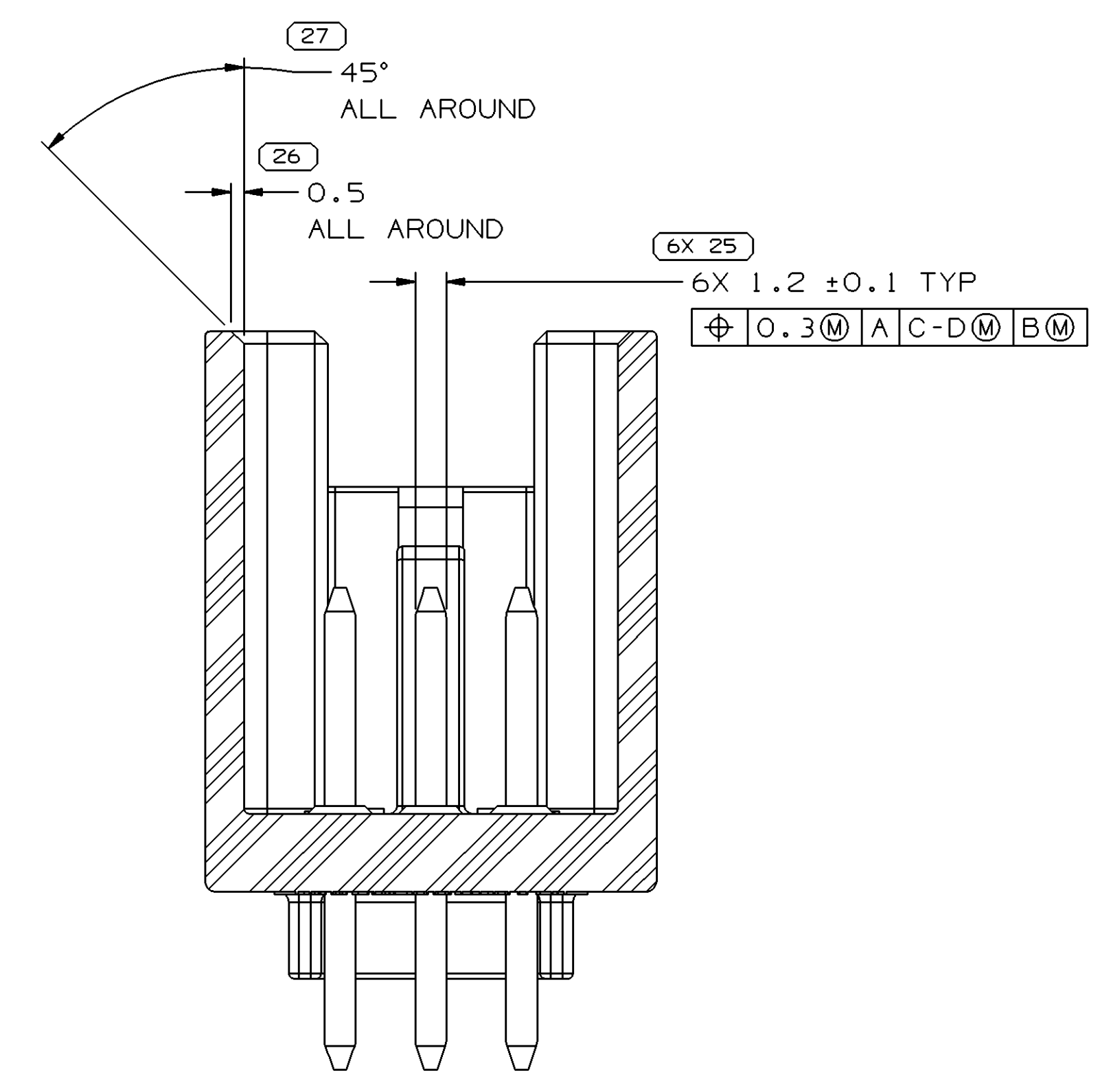
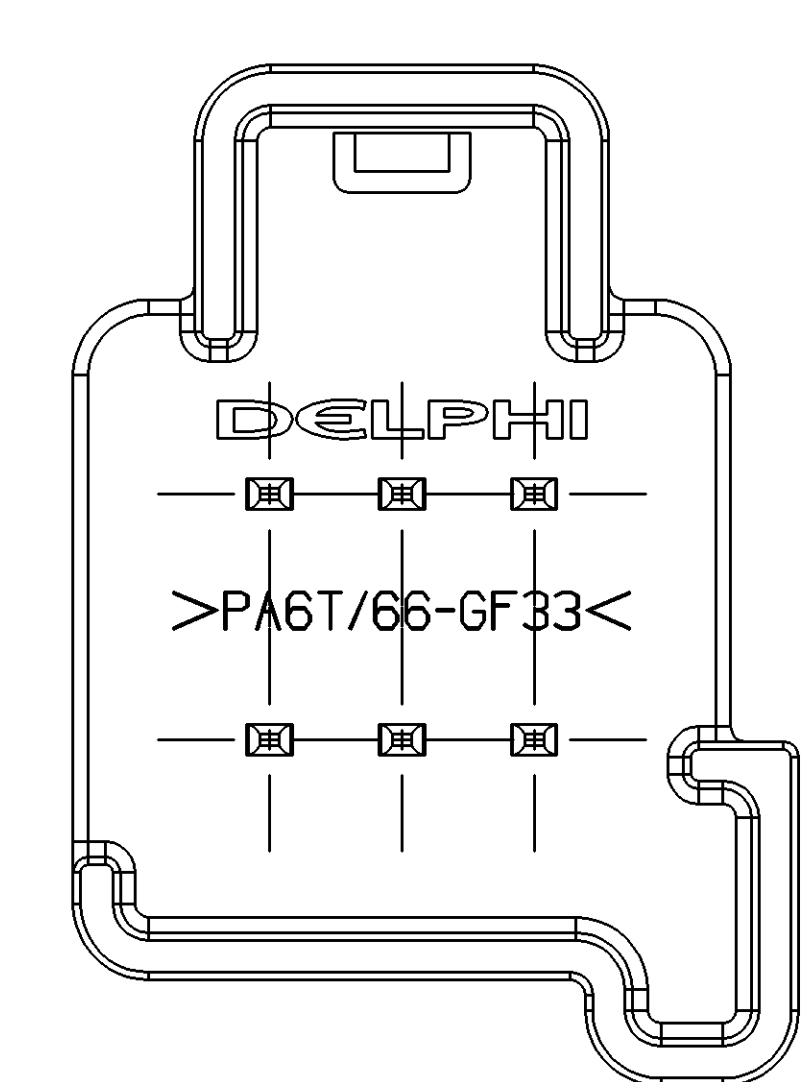
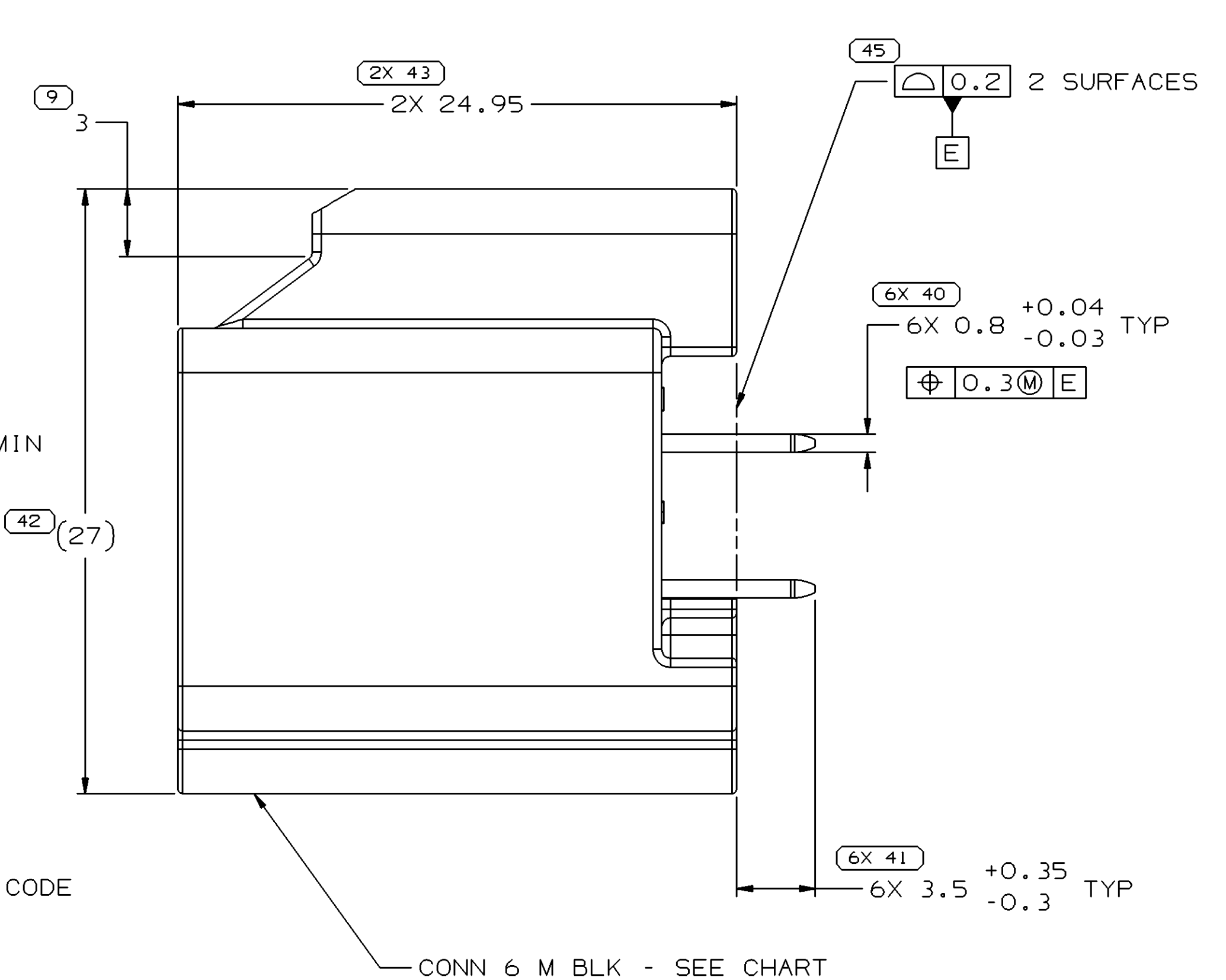
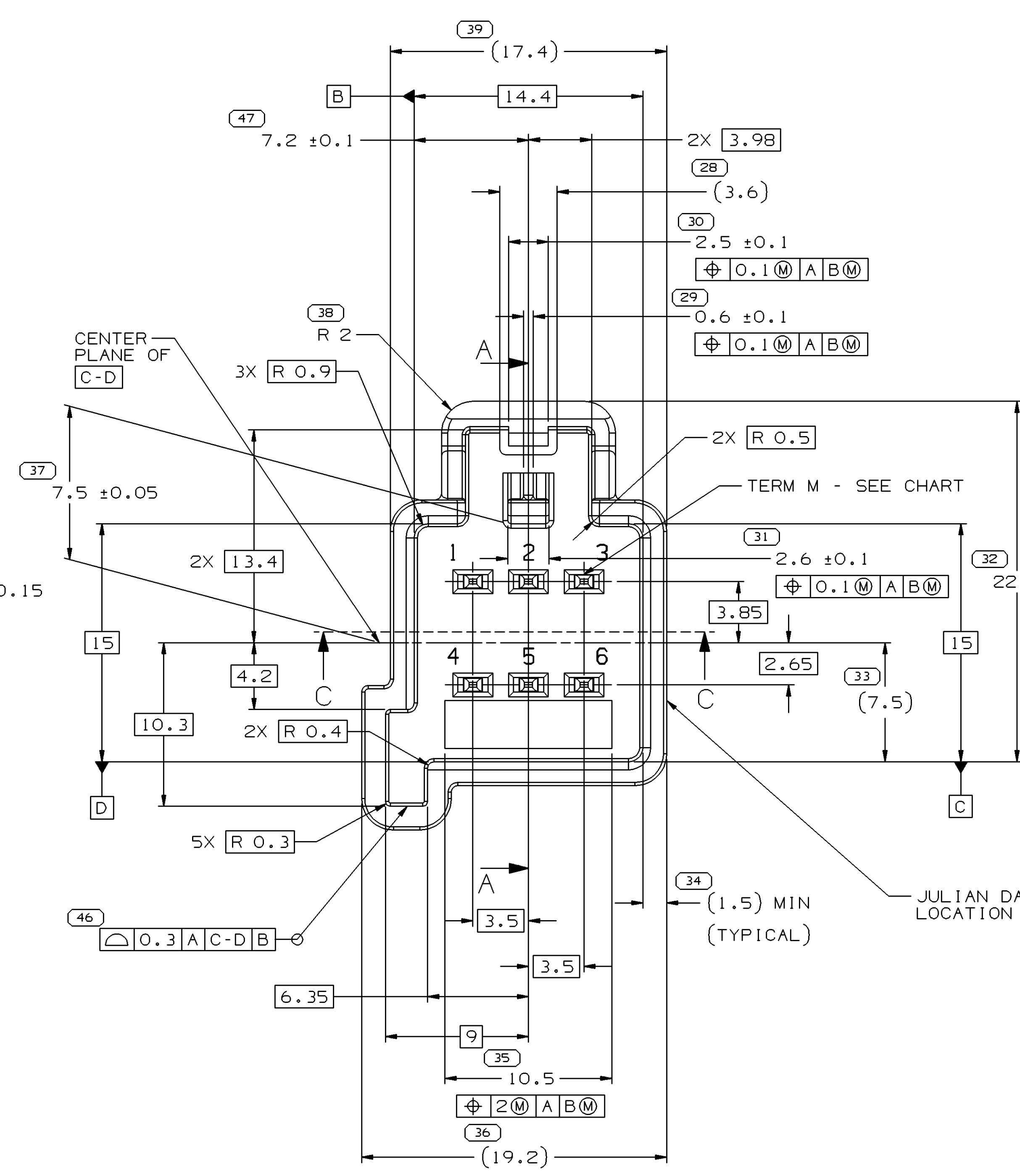
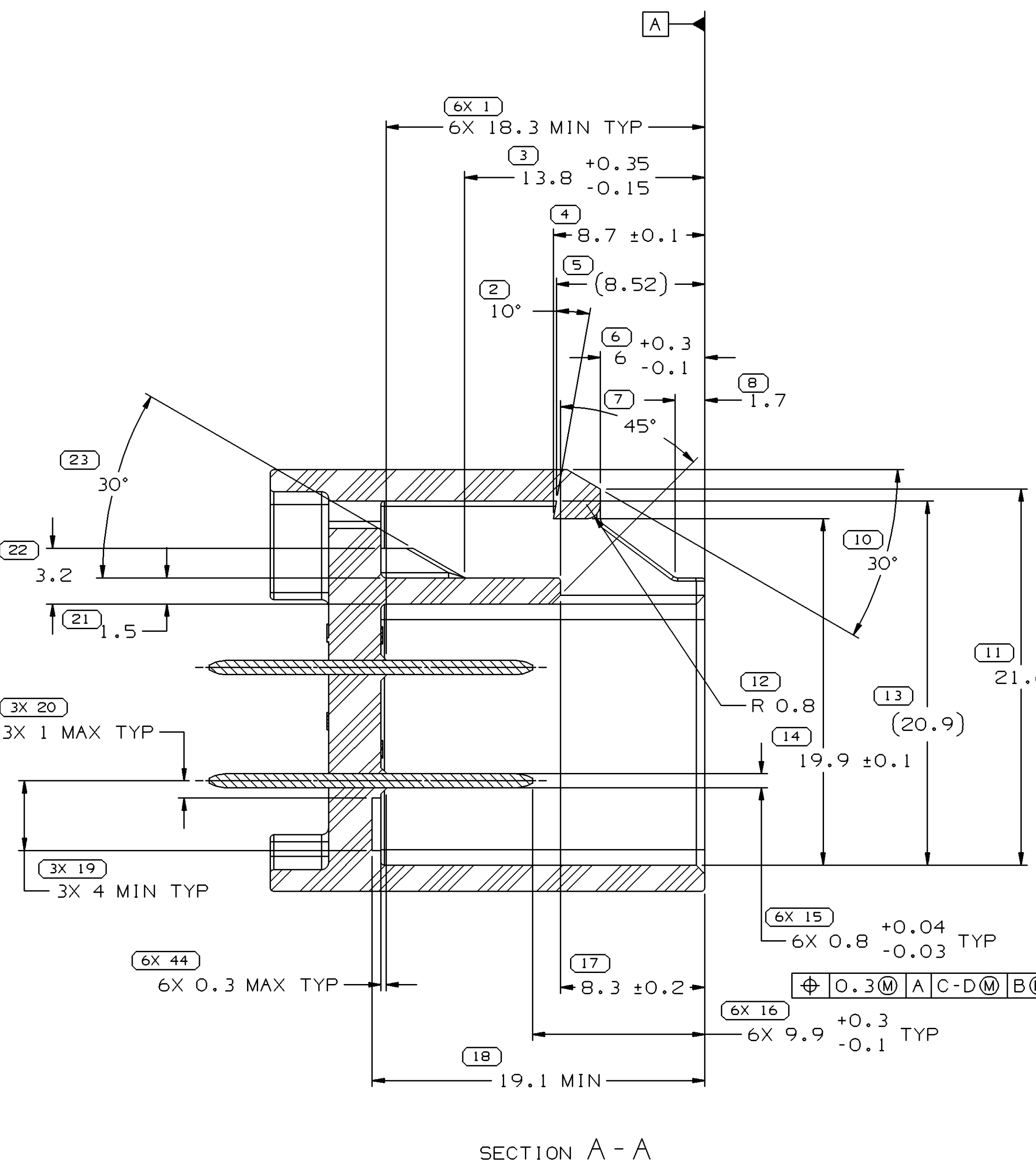
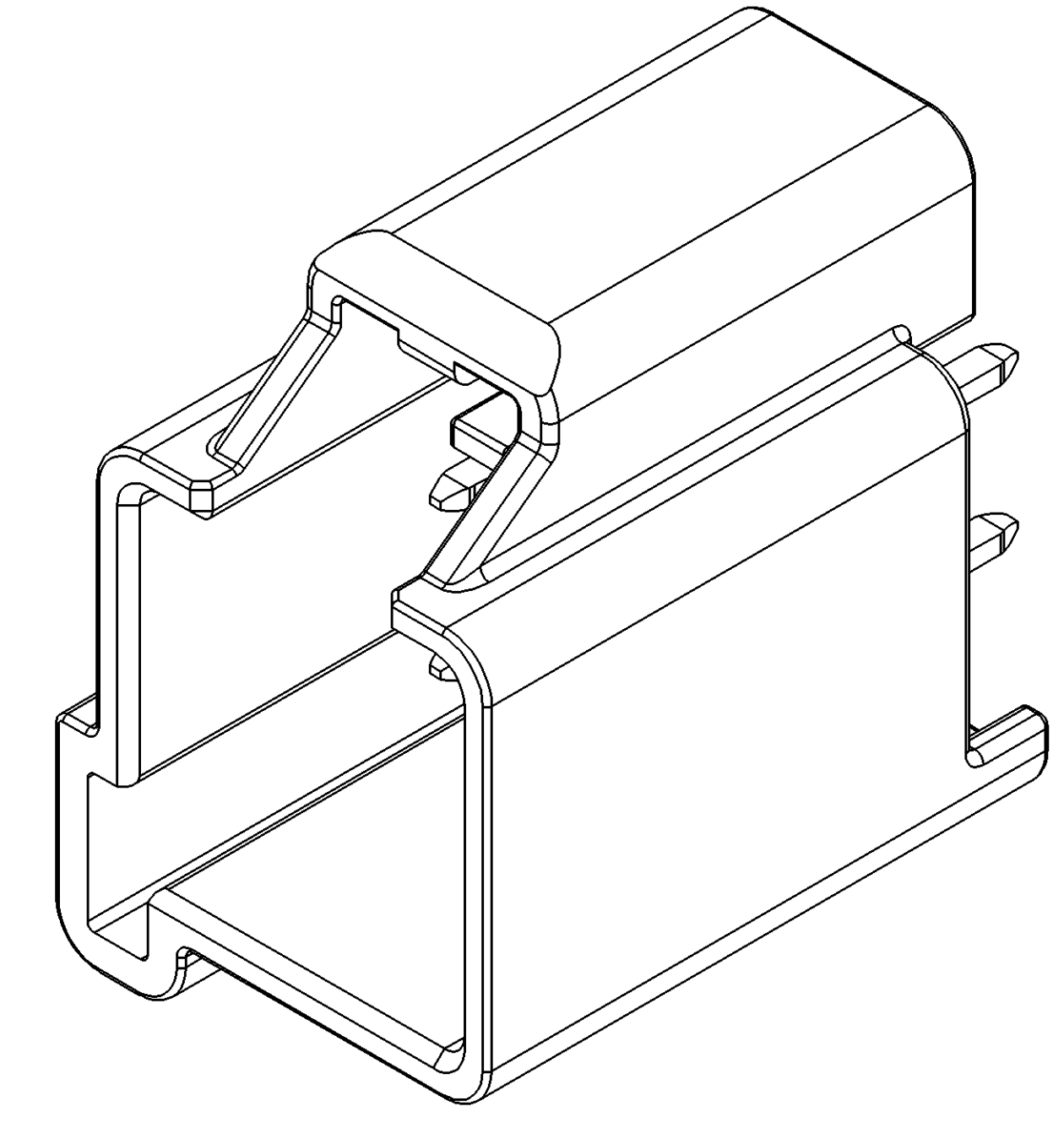
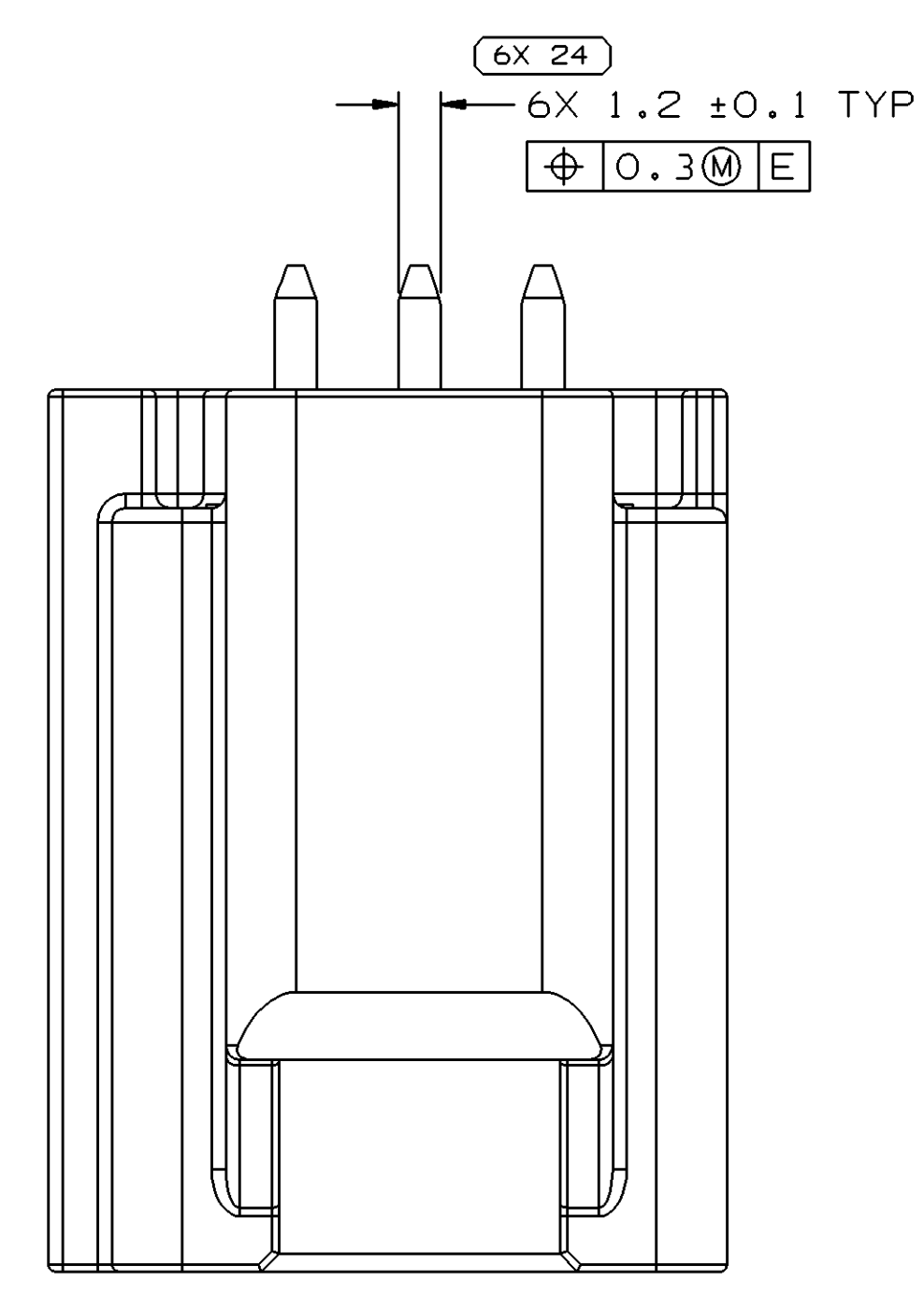


SYMBOL DEFINITION		TOTAL NO OF INSPECTIONS REQUIRED	MISSING SYMBOLS
A DIMENSION WITHOUT AN INSPECTION REPORT SYMBOL DOES NOT REQUIRE INSPECTION. IT MAY BE CONTROLLED ON THE INDIVIDUAL COMPONENT DRAWING.		92	NO MISSING SYMBOL NUMBER
		LAST NO. USED	47

DATE	STG	REV	N/P	CHG	ZONE	REVISION HISTORY	AUTH	DR	APVD	APVD
04MR05	R	01	-	-	-	WAS PE131324 AND RELEASED.	265055	JEB	JEB	JDS
07AP05	R	01	AA	-	-	6X 18.3 MIN TYP WAS 18.3 MIN, 6X 0.3 MAX TYP WAS 2X 0.3 MAX	265801	DAD	DAD	JDS
31MY05	R	01	AB	-	-	ADDED JULIAN DATE NOTE, REVISED TERMINAL QUANTITY TO 6	268408	RH	RH	JDS
25AU05	R	02	-	-	-	(3.6) WAS 3.6 +/-0.1 AND 3.5 +/-0.35/-0.3 WAS 3.5 +/-0.3	271190	RJD	RJD	JDS
21NO05	R	02	AA	-	-	DIM #46 WAS 0.2 AND (1.5) WAS (1.5) MIN (TYPICAL)	274953	MAC	MAC	JDS
29NO05	R	02	AB	-	-	(1.5) MIN (TYPICAL) WAS (1.5)	275144	MAK	MAK	JDS



- NOTES
- UNLESS OTHERWISE SPECIFIED AND/OR INDICATED: DIMENSIONS ARE TO FACE OF VIEW SHOWN AND AUTOMATICALLY ROUNDED BY COMPUTER FOR INSPECTION (SEE MATH MODEL FOR PRECISE DIMENSIONS). FOR ALL OTHER DIMENSIONS NOT SHOWN BUT REQUIRED FOR TOOL BUILD, SEE MATH MODEL FOR PRECISE TOOL PATH DATA.
 - MATERIAL RECYCLING CODE PER ISO 11469, (1.0)X(0.1) CHARACTERS AS SHOWN TO BE LOCATED ON ANY EXTERIOR SURFACE.
 - (1.0)X(0.1) DELPHI CORPORATE BRAND TO BE LOCATED ON ANY EXTERIOR SURFACE, PREFERABLY VISIBLE AT FINAL ASSEMBLY. OPTIONAL CONSTRUCTION TO BE "PED".
 - REFERENCE MATING COMPONENTS OR EQUIVALENT: CONNECTOR YAZAKI 7283-5532-40.
 - CAPABILITY OF TERMINAL HEIGHT AND TERMINAL TRUE POSITION MUST BE PROVIDED AT PPAP.
 - DIM # 37 & DIM # 47 MUST BE PROVIDED AT PPAP.
 - TOOL DRAFT PERMISSIBLE WITHIN PROFILE TOLERANCE ONLY.

PART NO	QTY	DESCRIPTION
13522999	6	TERM M
13522998	1	CONN 6 M BLK

DIMENSIONAL RANGE (MM)	TOLERANCE UNLESS OTHERWISE SPECIFIED
FROM > 0 TO > 20	±0.15
> 20 TO > 30	±0.2
> 30 TO > 40	±0.3
> 40 TO > 50	±0.4
> 50 TO > 60	±0.5
> 60 TO > 70	±0.6
> 70 TO > 80	±0.8
> 80 TO > 90	±1
> 90 TO > 100	±1.2

DWO TYPE: PART DRAWING	
VOLUME (COP): 3,610	DISTR CODE: D
UNLESS OTHERWISE SPECIFIED THIS DOCUMENT IS IN ACCORDANCE WITH ASME Y14.5M-1994 AS AMENDED BY THE 2003 ADDENDUM. DIMENSIONS AND TOLERANCES ARE IN MILLIMETERS UNLESS OTHERWISE SPECIFIED.	
ALL DIMENSIONS ARE IN MILLIMETERS	
THIRD ANGLE PROJECTION	
DO NOT SCALE	
USE MATH DATA	

DELPHI
DELPHI PACKARD ELECTRIC SYSTEMS
WARREN, OH

DR	DATE
APVD1 J. BANKSTON	04MR05
APVD2 J. BANKSTON	04MR05
APVD3 J. SCHNEIDER	04MR05
APVD4	
APVD5	

SUBSTANCES OF CONCERN AND RECYCLED CONTENT PER DELPHI 10949001

MATERIAL: M2396002 PA6T/66 GF33 HS BLK

DRAWING NAME: ASM CONN 6 M USCAR 120 BLK HEADER

DRAWING NUMBER: 13522998

SIZE: A0 SCALE: 5:1 FRAME NO: 1 OF 1 SHEET NO: 1 OF 1 DATE: 02 AB