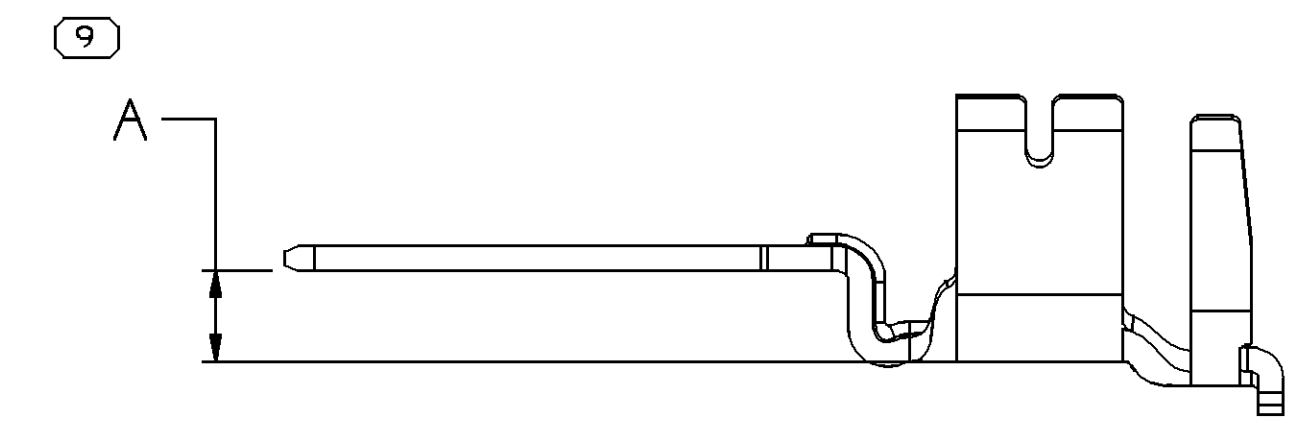
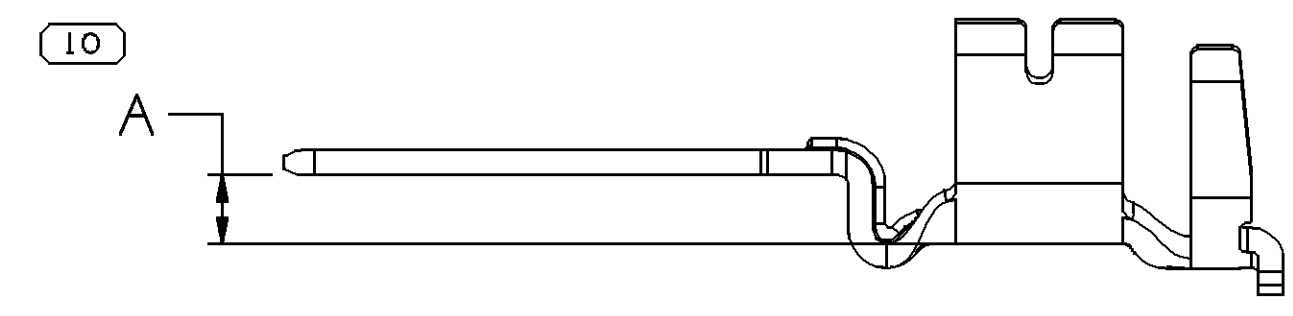


| SYMBOL DEFINITION | | MISSING SYMBOLS | |
|--|----------------------------------|-----------------|----|
| A DIMENSION WITHOUT AN INSPECTION REPORT SYMBOL () DOES NOT REQUIRE INSPECTION. IT MAY BE CONTROLLED ON THE INDIVIDUAL COMPONENT DRAWING. | TOTAL NO OF INSPECTIONS REQUIRED | 14 | 11 |
| | LAST NO. USED | 12 | |

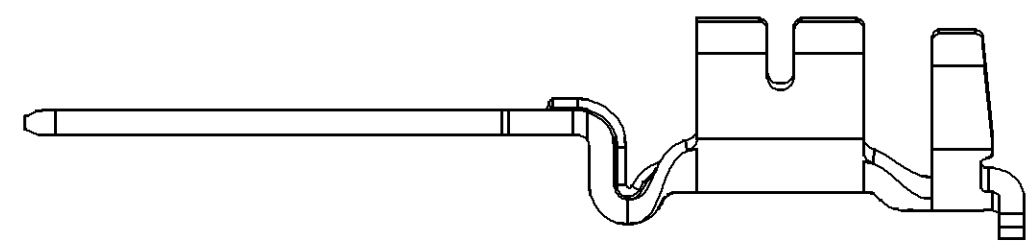
| DWG STATUS | | | | REVISION HISTORY | | | | AUTH | | DR | | APVD | |
|------------|-----|-----|-----|------------------|------|--|--|--------|-----|-----|-----|------|--|
| DATE | STG | REV | N/P | CHG | ZONE | | | | | | | | |
| 04MR05 | R | 01 | - | | | 13523158 WAS PE095351 AND RELEASED | | 264996 | BRB | BRB | GD | | |
| | | | | | | 13523157 WAS PE095352 AND RELEASED | | | | | | | |
| | | | | | | 13523156 WAS PE095353 AND RELEASED | | | | | | | |
| | | | | | | 13520914 WAS PE095354 AND RELEASED | | | | | | | |
| 09AU05 | R | 02 | - | - | | ALL PARTS - MAT'L SPEC WAS M4543B23 | | 271166 | LMB | LMB | GD | | |
| 29NO07 | R | 03 | - | - | | ADDED VIEW TYPES 102,103,AND 104 | | 403013 | MM | MM | RAB | | |
| 13DE07 | R | 04 | - | - | | ALL PARTS - UPDATED PDM ATTRIBUTES | | 403282 | WHC | WHC | RAB | | |
| 04JA08 | R | 05 | - | - | | ALL PARTS - B2 TOL +0.45/-0.4 WAS +-0.4 REMOVED DIM 11 ON TYPE 104 | | 403307 | WHC | WHC | RAB | | |
| 04JA08 | R | 06 | - | - | | ALL PARTS- MOVED DIM 9,10,12 TO CHART "A" | | 403402 | WHC | WHC | RAB | | |



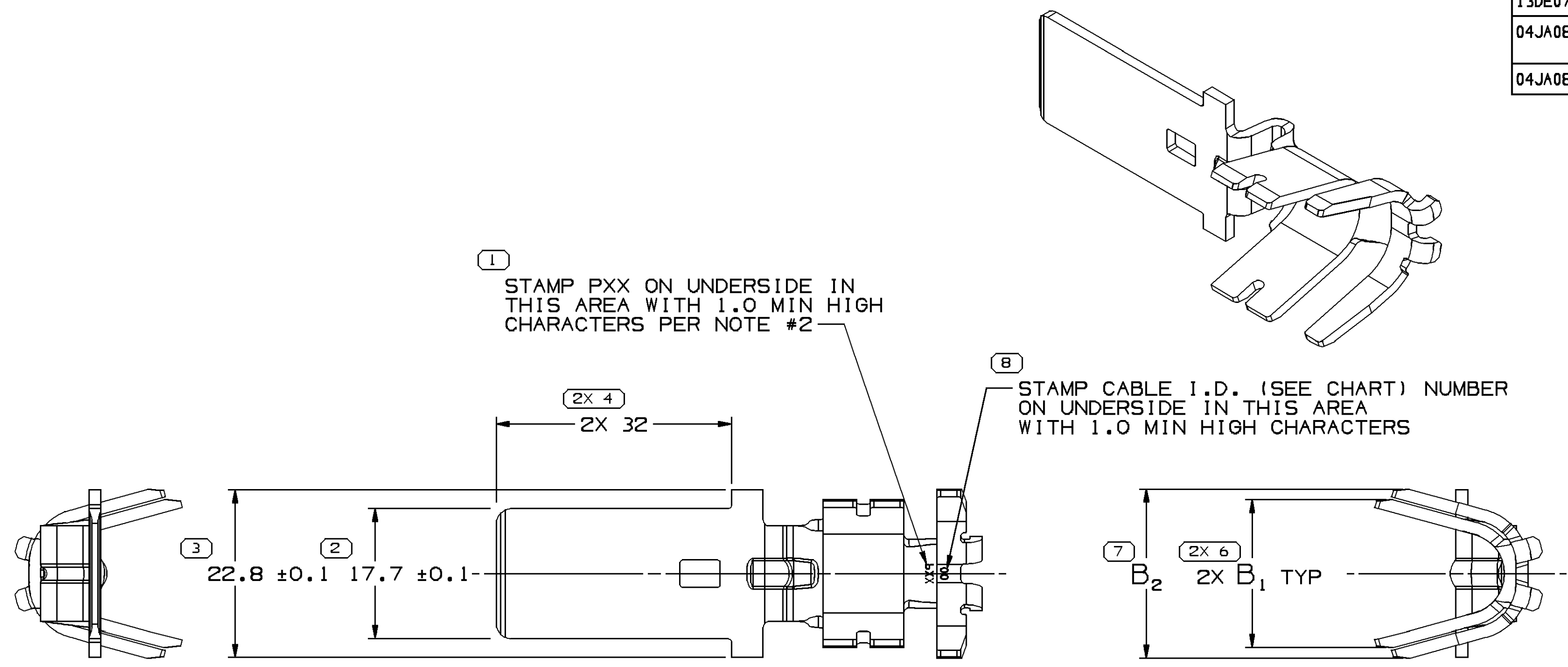
TYPE 102



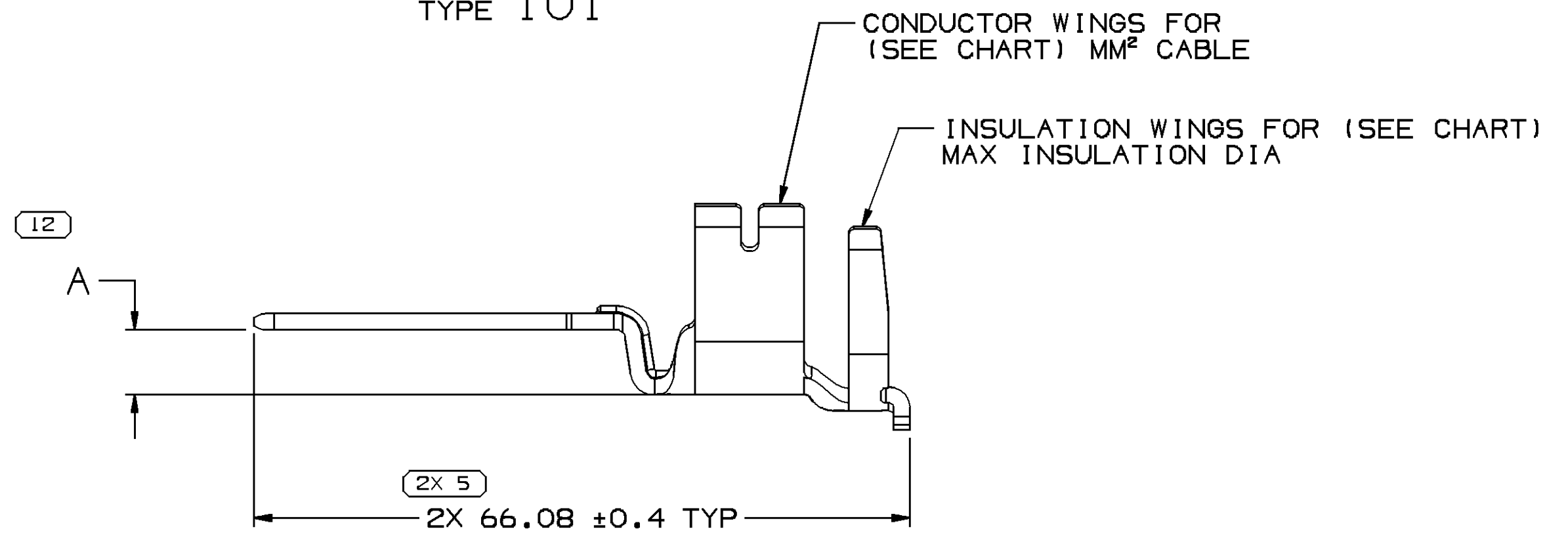
TYPE 103



TYPE 104



TYPE 101



- NOTES
- UNLESS OTHERWISE SPECIFIED AND/OR INDICATED:
DIMENSIONS ARE TO FACE OF VIEW SHOWN AND AUTOMATICALLY ROUNDED BY COMPUTER FOR INSPECTION (SEE MATH MODEL FOR PRECISE DIMENSIONS). FOR ALL OTHER DIMENSIONS NOT SHOWN BUT REQUIRED FOR TOOL BUILD, SEE MATH MODEL FOR PRECISE TOOL PATH DATA.
 - "PXX" INDICATES "P" PLUS LAST TWO DIGITS OF MAKE DIE SERIES NUMBER (PO1, PO2, PO3, ETC).
 - VISUAL CRACKS ARE NOT PERMISSIBLE
 - REFERENCE MATING COMPONENTS OR EQUIVALENT:
TERMINAL ASSEMBLY 13520912
 - THIS PART ACCEPTS THE FOLLOWING COMPONENTS OR EQUIVALENT:
MALE CONNECTOR 13520909
 - CABLE INSULATION FOR 64mm² TO 32mm² HAS 1.5 ±0.2mm THICKNESS AND 19mm² HAS 1.1 ±0.2mm² THICKNESS.

| PART NO | REV | N/P | TYPE | MAT'L SIZE | MAT'L SPEC | SIZE (mm ²) | ID | DIAMETER | A | B ₁ | B ₂ |
|----------|-----|-----|------|----------------|------------------------|-------------------------|----|-------------|-------|----------------|----------------|
| 13523158 | 01 | AC | 101 | 1.63 X (71.23) | M4543C18 C15100 1/2 HD | 62 | 00 | 14.71 ±0.41 | 6.57 | 20.1 | 23 |
| 13523157 | 01 | AC | 102 | 1.63 X (71.23) | M4543C18 C15100 1/2 HD | 40 TO 50 | 0 | 13.61 ±0.41 | 6.02 | 17.4 | 21.1 |
| 13523156 | 01 | AC | 103 | 1.63 X (71.23) | M4543C18 C15100 1/2 HD | 32 | 2 | 10.75 ±0.41 | 4.59 | 15 | 18.6 |
| 13520914 | 01 | AC | 104 | 1.63 X (71.23) | M4543C18 C15100 1/2 HD | 13 TO 19 | 5 | 8.43 ±0.41 | | 12.3 | 15.9 |
| | | | | | | | | | ±0.15 | ±0.4 | ±0.45/-0.4 |

| | |
|--|---------|
| 2 PROCESS SENSITIVE DIMENSION | |
| DIMENSIONS ENCLOSED IN () INDICATE REFERENCE DIMENSIONS AND NO TOLERANCE LIMITS ARE ESTABLISHED | |
| DIMENSIONAL RANGE (MM) | CHART D |
| FROM 0 | > 12 |
| TO 12 | |
| TOLERANCE UNLESS OTHERWISE SPECIFIED | |
| ±0.1 | ±0.2 |
| ANGULAR TOLERANCE ±2° | |

| | |
|---|----------------------------|
| DWG TYPE PART DRAWING | |
| STYLE | |
| VOLUME (C/P) | DISTR CODE D |
| UNLESS OTHERWISE SPECIFIED THIS DOCUMENT IS IN ACCORDANCE WITH ASME Y14.5M-1994 AS AMENDED BY THE 0M GLOBAL DIMENSIONING AND TOLERANCING ADDENDUM-2001. SEPARATE PATTERNS OF FEATURES MAY BE GAGED SEPARATELY REGARDLESS OF DATUM REFERENCES. | |
| ALL DIMENSIONS ARE IN MILLIMETERS | |
| REFERENCE | |
| THIRD ANGLE PROJECTION | DO NOT SCALE USE MATH DATA |

DELPHI
DELPHI PACKARD ELECTRICAL/ELECTRONIC ARCHITECTURE
WARREN, OH

| | |
|-------------------|--------|
| DR | DATE |
| APVD1 BARRY BURNS | 04MR05 |
| APVD2 BARRY BURNS | 04MR05 |
| APVD3 GARY DETTER | 07MR05 |
| APVD4 | |
| APVD5 | |

SUBSTANCES OF CONCERN AND RECYCLED CONTENT PER DELPHI-A 10949001

MATERIAL SEE CHART

DRAWING NAME TAXI TERM M PWR PACK 2000

DRAWING NUMBER 13523159

| | | | | | | |
|---------|-----------|-----------------|-----------------|-------|--------|-------|
| SIZE A1 | SCALE 2:1 | FRAME NO 1 OF 1 | SHEET NO 1 OF 1 | STG R | REV 06 | N/P - |
|---------|-----------|-----------------|-----------------|-------|--------|-------|