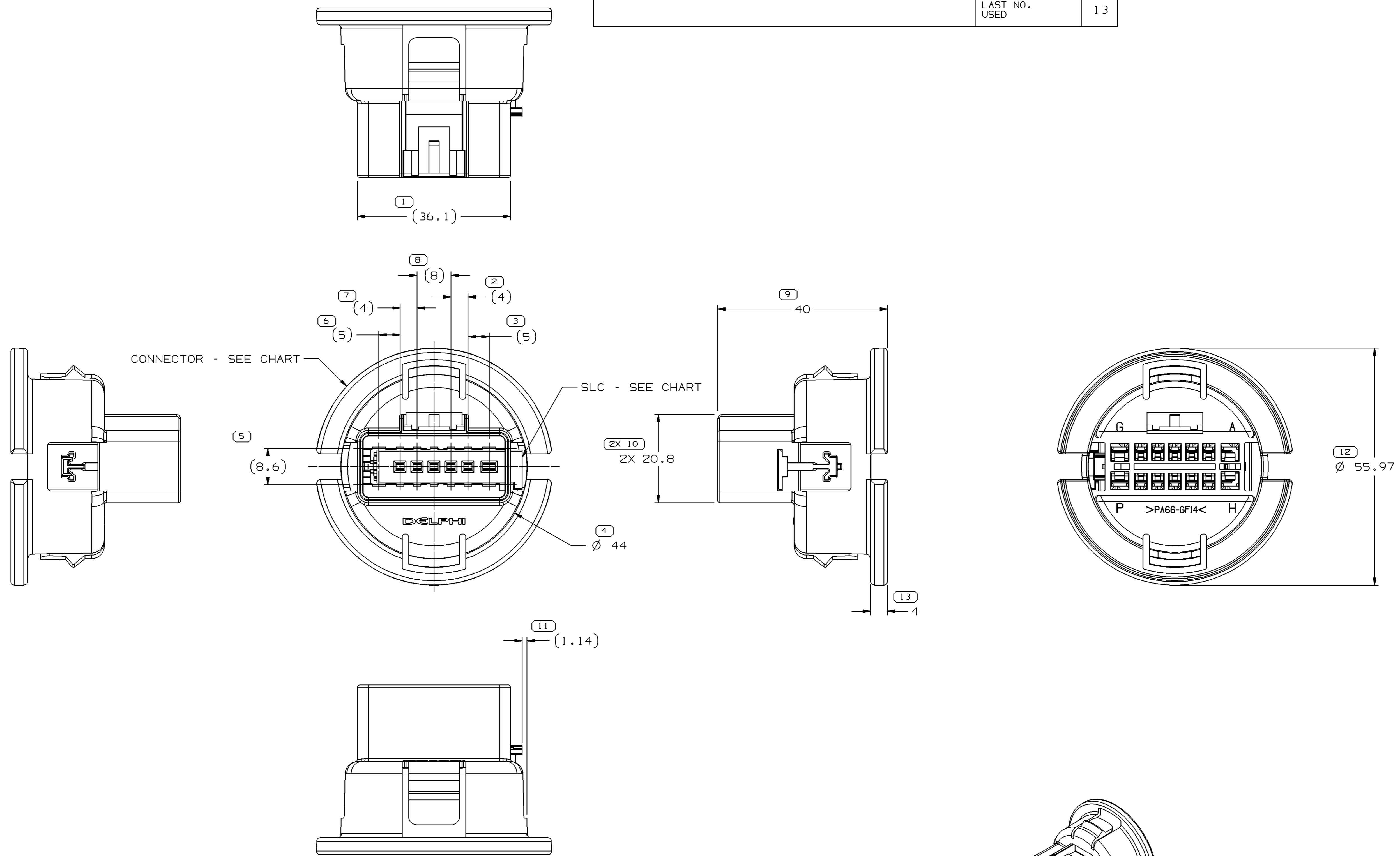


SYMBOL DEFINITION	
A DIMENSION WITHOUT AN INSPECTION REPORT SYMBOL () DOES NOT REQUIRE INSPECTION. IT MAY BE CONTROLLED ON THE INDIVIDUAL COMPONENT DRAWING.	TOTAL NO OF INSPECTIONS REQUIRED
	14
	LAST NO. USED
	13

MISSING SYMBOLS		DWG STATUS					REVISION HISTORY		AUTH	DR	APVD 1	APVD 2
DATE	STG	REV	N/P	CHG	ZONE							
21AP05	R	01	-	-		RELEASED		267252	MAC	MAC	EJB	



- NOTES**
- UNLESS OTHERWISE SPECIFIED AND/OR INDICATED:
DIMENSIONS ARE TO FACE OF VIEW SHOWN AND AUTOMATICALLY ROUNDED BY COMPUTER FOR INSPECTION (SEE MATH MODEL FOR PRECISE DIMENSIONS). FOR ALL OTHER DIMENSIONS NOT SHOWN BUT REQUIRED FOR TOOL BUILD, SEE MATH MODEL FOR PRECISE TOOL PATH DATA.
 - REFERENCE MATING COMPONENTS OR EQUIVALENT:
CONNECTOR ASSEMBLY 15336212
GROMMET 13524685
 - THIS PART ACCEPTS THE FOLLOWING COMPONENTS OR EQUIVALENT:
CAVITIES B-F & J-N TO ACCEPT 15304701 TERMINAL OR EQUIVALENT.
CAVITIES A,G,H & P TO ACCEPT 15304723 TERMINAL OR EQUIVALENT.

13524531	13524530	15336217
PART NO	CONNECTOR	SLC

DIMENSIONAL RANGE (MM)		CHART E1
FROM	TO	
> 0	> 20	> 30
> 20	> 30	> 70
> 30	> 70	> 100
> 70	> 100	> 150
> 100	> 150	> 200
> 150	> 200	> 250
> 200	> 250	> 300
> 250	> 300	> 400
TOLERANCE UNLESS OTHERWISE SPECIFIED		
±0.15	±0.2	±0.3
±0.3	±0.4	±0.5
±0.4	±0.5	±0.6
±0.5	±0.6	±0.8
±0.6	±0.8	±1
±0.8	±1	±1.2
ANGULAR TOLERANCE ±2°		

DWG TYPE		PART DRAWING	
STYLE			
VOLUME (CM³)		DISTR CODE	
		D	
UNLESS OTHERWISE SPECIFIED			
THIS DOCUMENT IS IN ACCORDANCE WITH ASME Y14.5M-1994 AS AMENDED BY THE GM GLOBAL DIMENSIONING AND TOLERANCING ADDENDUM-2001. SEPARATE PATTERNS OF FEATURES MAY BE GAGED SEPARATELY REGARDLESS OF DATUM REFERENCES.			
ALL DIMENSIONS ARE IN MILLIMETERS			
REFERENCE		13510289	
THIRD ANGLE PROJECTION		DO NOT SCALE	
USE MATH DATA		UNIGRAPHICS	

DELPHI
DELPHI PACKARD ELECTRIC SYSTEMS
WARREN, OH

DR	DATE					
APVD1 M. CRESTAY	21AP05					
APVD2 M. CRESTAY	21AP05					
APVD3 E. BARDELLA	22AP05					
APVD4						
APVD5						
SUBSTANCES OF CONCERN AND RECYCLED CONTENT PER DELPHI 10949001						
MATERIAL N/A						
DRAWING NAME						
ASM CONN 14 M GT 150 280						
DRAWING NUMBER						
13524531						
SIZE	SCALE	FRAME NO	SHEET NO	STG	REV	N/P
A1	2:1	1 OF 1	1 OF 1	R	01	-