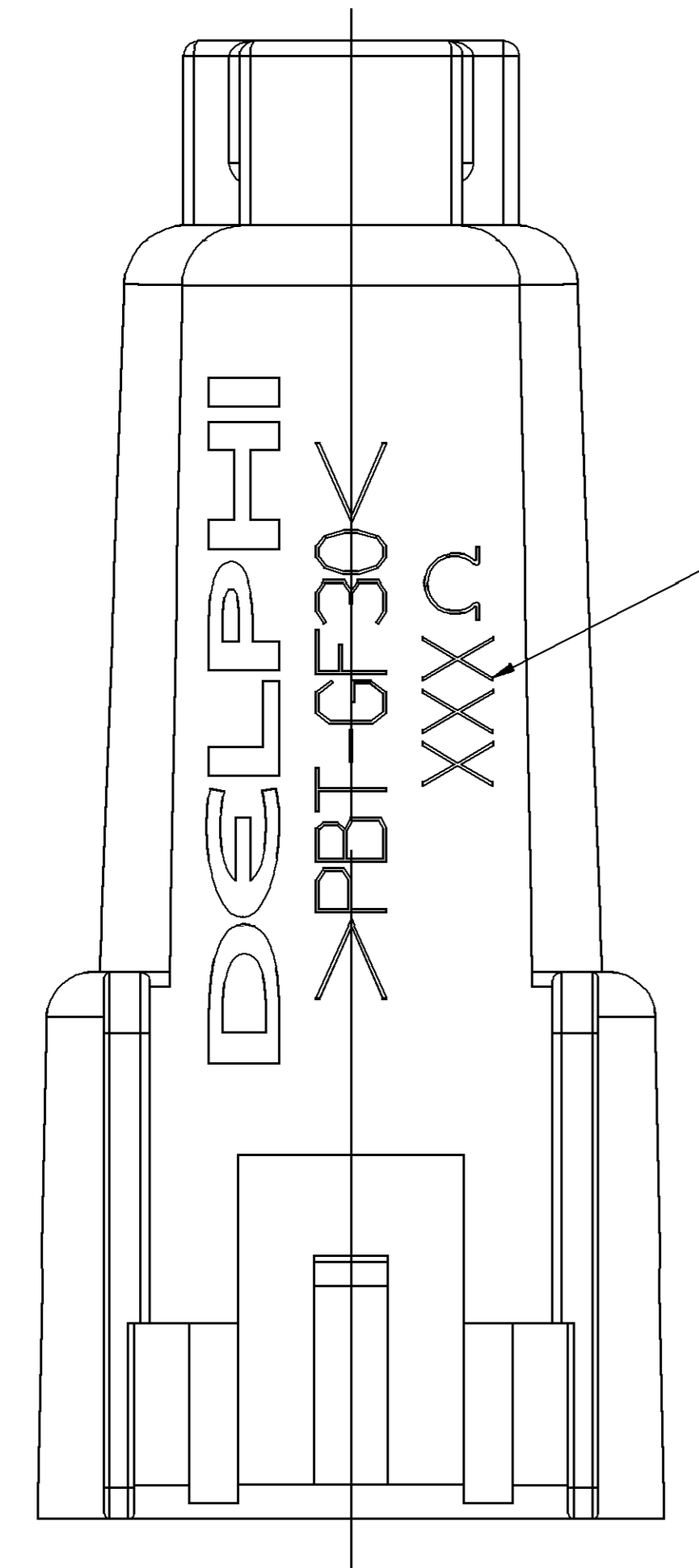
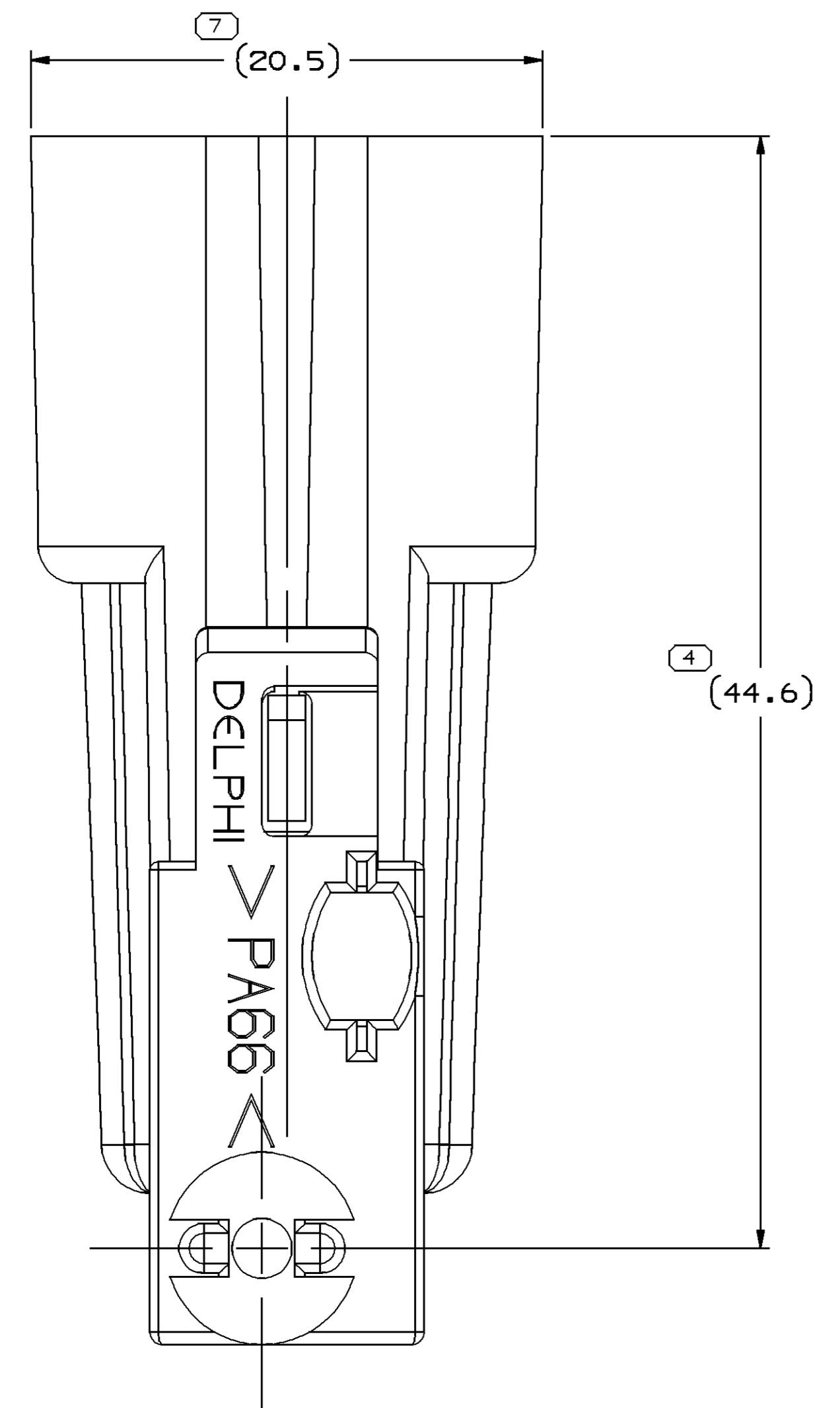
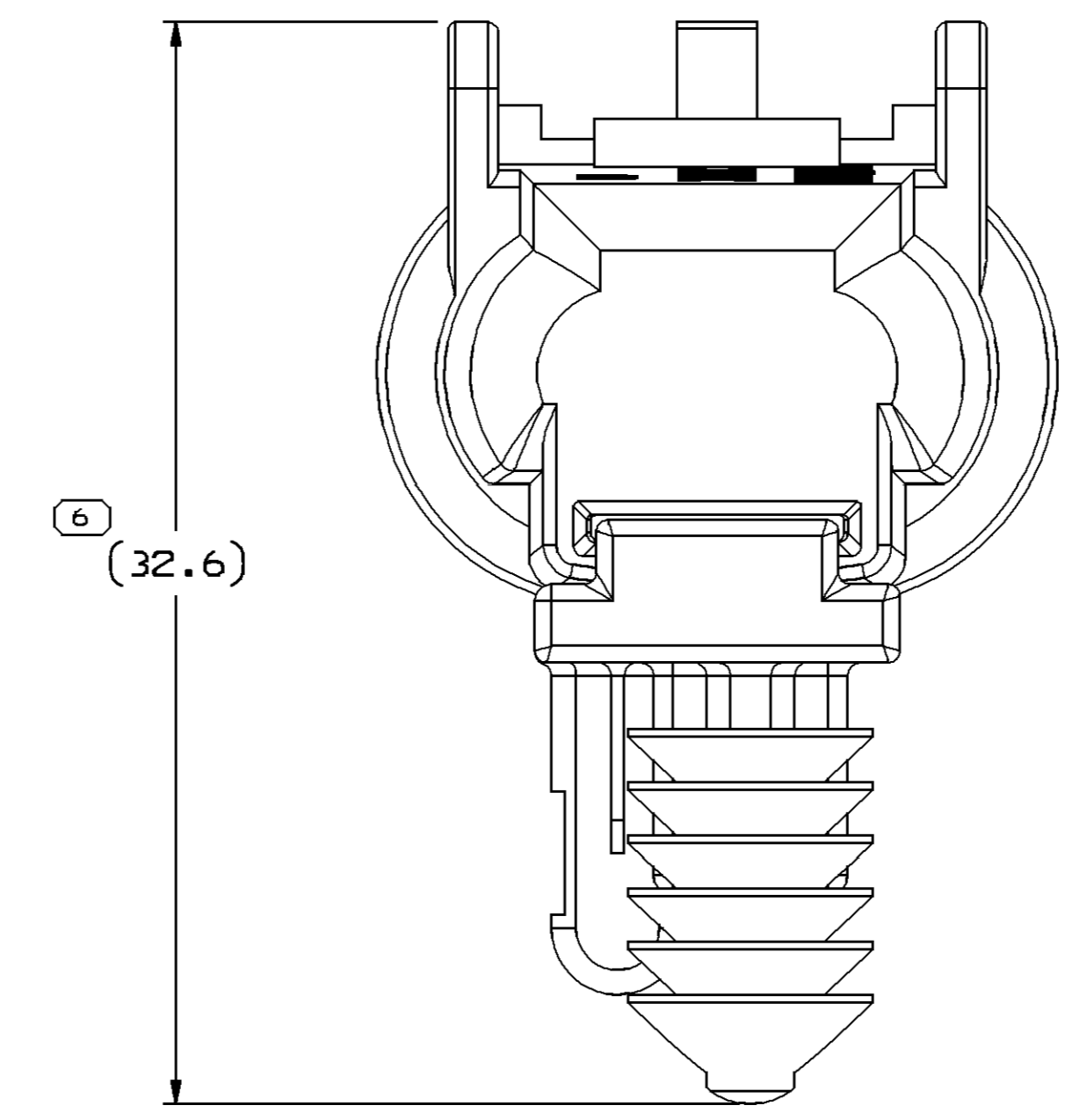
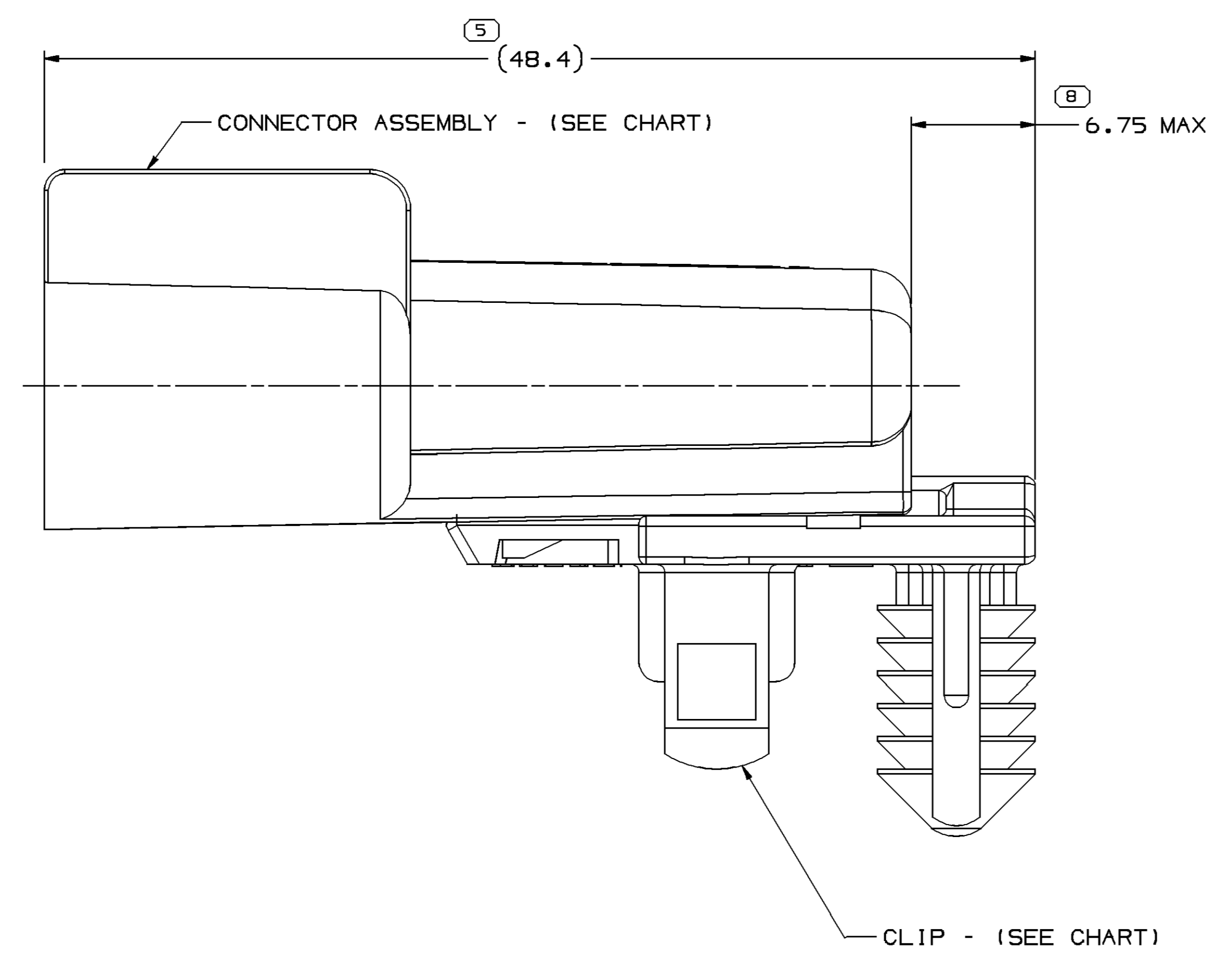
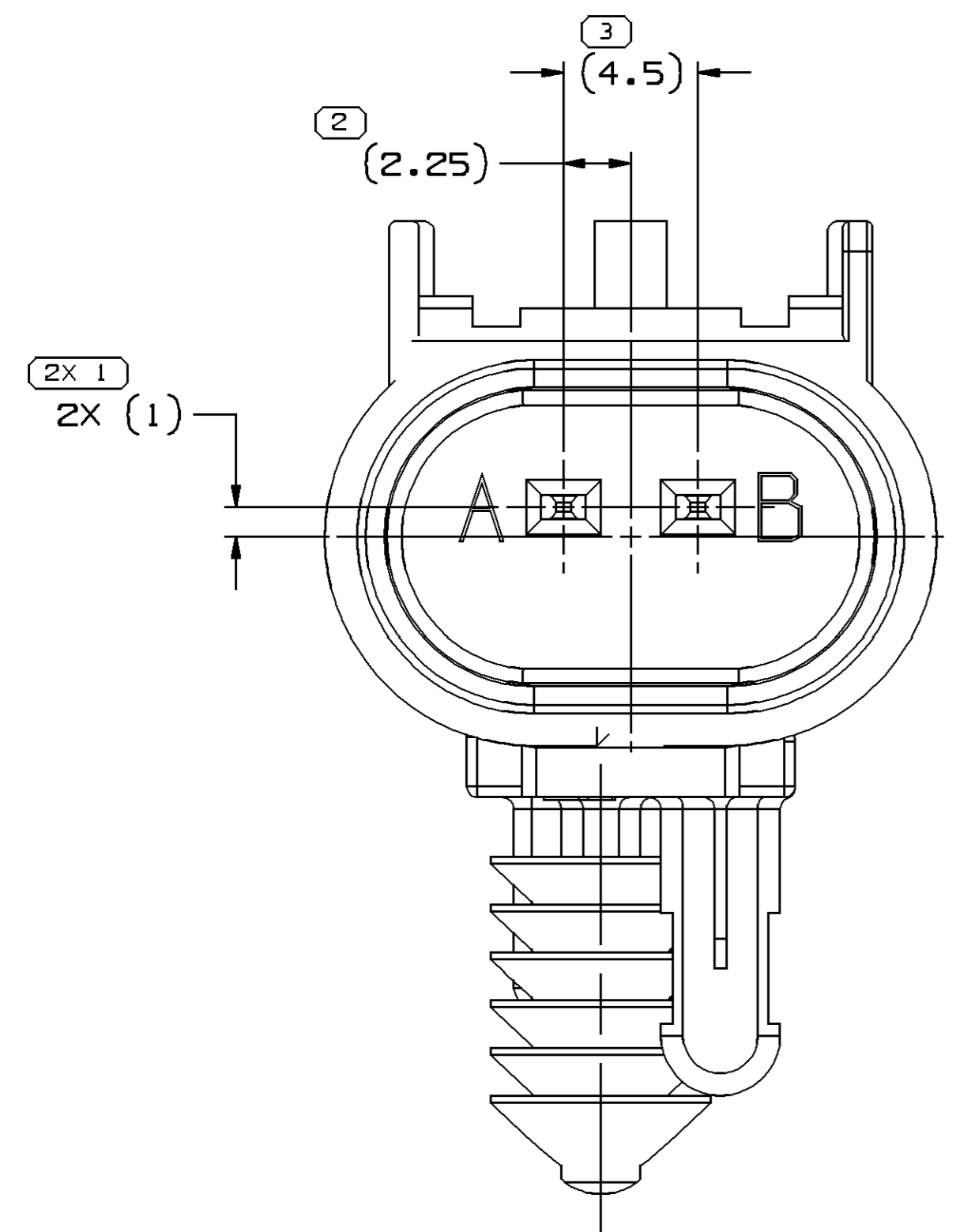
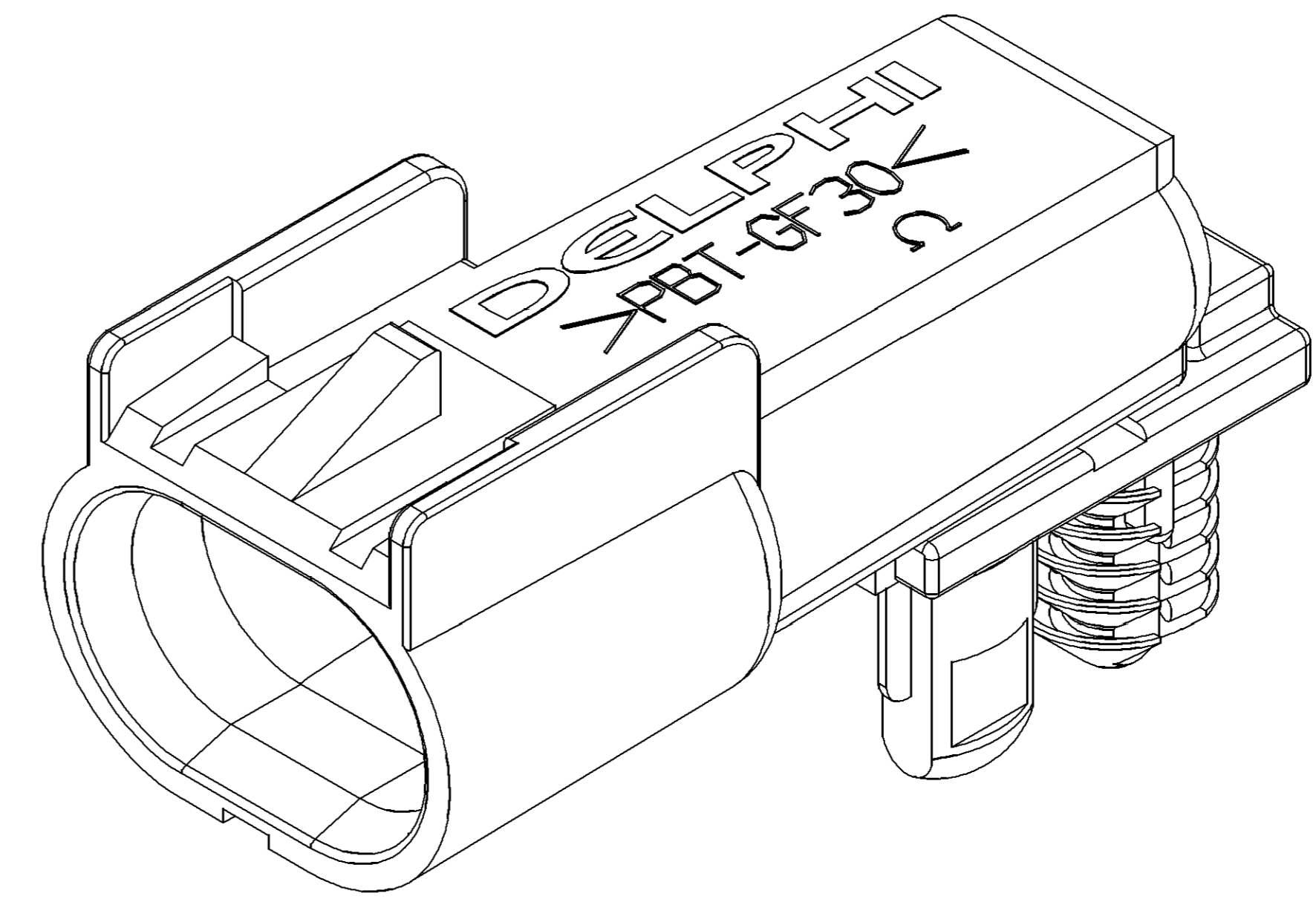


| SYMBOL DEFINITION | | TOTAL NO OF INSPECTIONS REQUIRED | NO MISSING SYMBOL NUMBER |
|--|---------------|----------------------------------|--------------------------|
| A DIMENSION WITHOUT AN INSPECTION REPORT SYMBOL DOES NOT REQUIRE INSPECTION. IT MAY BE CONTROLLED ON THE INDIVIDUAL COMPONENT DRAWING. | | 9 | |
| | LAST NO. USED | 8 | |

| DWG STATUS | | ZONE | | REVISION HISTORY | | AUTH | DR | AP/VD |
|------------|-----|------|-----|------------------|--|--------|-----|----------|
| DATE | STG | REV | N/P | CHG | | | | |
| 02AU05 | R | 01 | - | - | 13536533-41 WERE PE142285-93 & RELEASED | 270573 | JS | JS RC |
| 16AU05 | R | 02 | - | - | ALL PARTS - CLIP P/N WAS 15411124, REVISED NOTE #4 | 271188 | END | END RC M |
| 04N005 | R | 03 | - | - | ALL PARTS - REVISED OHMS RESISTANCE VALUES ON CONNECTORS AND REVISED CHART | 273978 | MM | MM RC |
| 06JN06 | R | 04 | - | - | ALL PARTS - REVISED CUSTOMER PART NUMBER AND SPEC IN NOTE 4 | 281171 | MM | MM RC |



RESISTANCE VALUE (2.3)X(0.1)
SEE CHART FOR VALUE



- NOTES
- UNLESS OTHERWISE SPECIFIED AND/OR INDICATED:
DIMENSIONS ARE TO FACE OF VIEW SHOWN AND AUTOMATICALLY ROUNDED BY COMPUTER FOR INSPECTION (SEE MATH MODEL FOR PRECISE DIMENSIONS). FOR ALL OTHER DIMENSIONS NOT SHOWN BUT REQUIRED FOR TOOL BUILD, SEE MATH MODEL FOR PRECISE TOOL PATH DATA.
 - ASSEMBLY: BE SURE TO SEAT CLIP SECURELY IN THE CONNECTOR BODY CLIP SLOT.
 - REFERENCE MATING COMPONENTS OR EQUIVALENT:
CONNECTOR 15326801
 - PARTS MUST MEET BORGWARNER SPEC 44-00-430-039-C AND 44-00-447-00B.
 - THIS PART ACCEPTS THE FOLLOWING COMPONENTS OR EQUIVALENT:
TERMINAL 15326426
(FEMALE TERMINAL MUST HAVE GOLD PLATED TERMINAL CONTACT AREA)

| BORGWARNER PART NO | PART NO | REV | N/P | STATUS | CONN ASM | RESISTANCE (OHMS ±1%) | CLIP |
|--------------------|----------|-----|-----|--------|----------|-----------------------|----------|
| 44-00-694-009 | 13536541 | 03 | AA | - | 13534895 | 12700 | 15326712 |
| 44-00-694-008 | 13536540 | 03 | AA | - | 13534894 | 7320 | 15326712 |
| 44-00-694-007 | 13536539 | 03 | AA | - | 13534893 | 3160 | 15326712 |
| 44-00-694-006 | 13536538 | 03 | AA | - | 13534892 | 1820 | 15326712 |
| 44-00-694-005 | 13536537 | 03 | AA | - | 13534891 | 1150 | 15326712 |
| 44-00-694-004 | 13536536 | 03 | AA | - | 13534890 | 715 | 15326712 |
| 44-00-694-003 | 13536535 | 03 | AA | - | 13534889 | 453 | 15326712 |
| 44-00-694-002 | 13536534 | 03 | AA | - | 13534888 | 255 | 15326712 |
| 44-00-694-001 | 13536533 | 03 | AA | - | 13534887 | 115 | 15326712 |

DELPHI
DELPHI PACKARD ELECTRIC SYSTEMS
WVREN, OH

DATE: 02AU05
DR: JOE SUDIK
AP/VD1: JOE SUDIK
AP/VD2: JOE SUDIK
AP/VD3: RANDY CVELBAR
AP/VD4: AP/VD5

UNLESS OTHERWISE SPECIFIED
THIS DOCUMENT IS IN ACCORDANCE WITH ASME Y14.5M-1994
AS MODIFIED BY THE M SI UNITS DIMENSIONING AND
TOLERANCE ADDENDUM-2001. SEPARATE WRITINGS OF
FEATURES MAY BE BASED SEPARATELY PER RULES OF DIMENSIONING
REFERENCES.

ALL DIMENSIONS ARE IN MILLIMETERS

(N/A) PROCESS SENSITIVE DIMENSION
DIMENSIONS ENCLOSED IN () INDICATE
REFERENCE DIMENSIONS AND NO TOLERANCE
LIMITS ARE ESTABLISHED

THIRD ANGLE PROJECTION
DO NOT SCALE
USE MATH DATA

DRAWING NAME: TAXI ASM CONN M GT 150 BLK SLD
DRAWING NUMBER: 13536544
SCALE: 5:1
SHEET NO: 1 OF 1