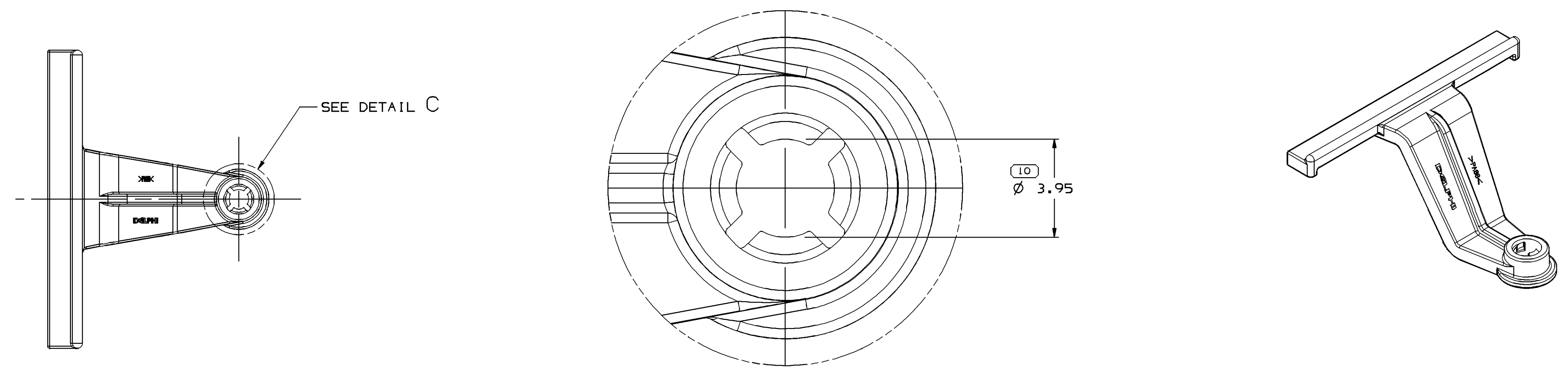
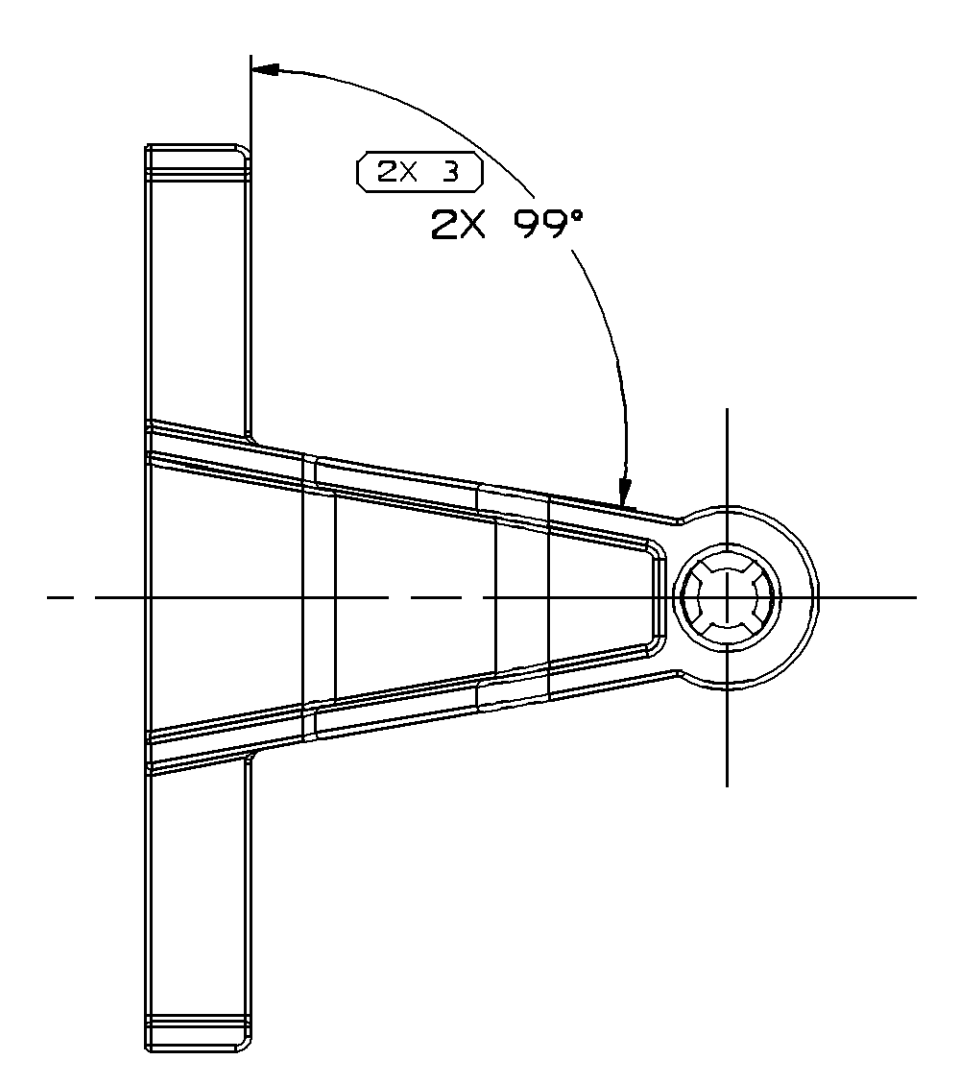
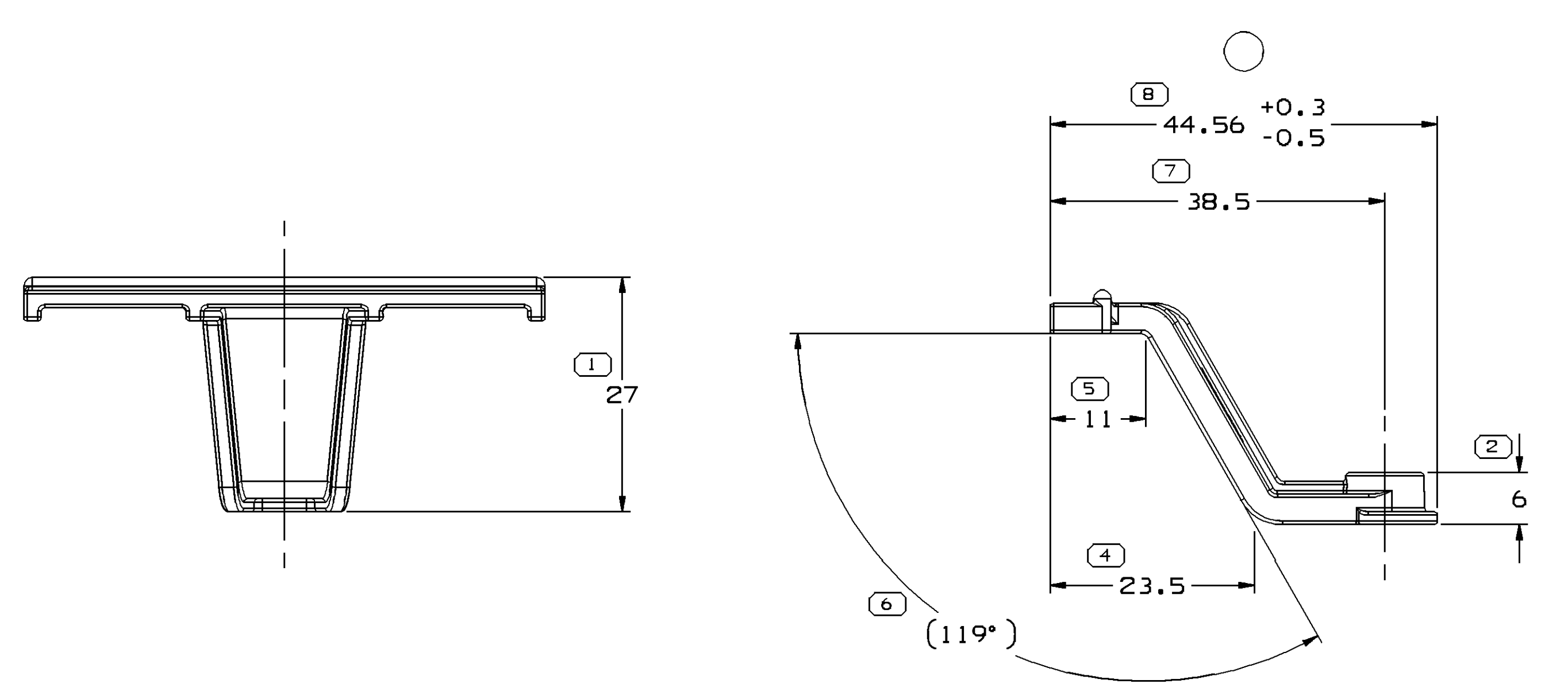


SYMBOL DEFINITION		TOTAL NO OF INSPECTIONS REQUIRED	NO MISSING SYMBOL NUMBER
A DIMENSION WITHOUT AN INSPECTION REPORT SYMBOL DOES NOT REQUIRE INSPECTION. IT MAY BE CONTROLLED ON THE INDIVIDUAL COMPONENT DRAWING.		11	
LAST NO. USED		10	

DWG STATUS					REVISION HISTORY		AUTH	DR	AP/D
DATE	STG	REV	N/P	CHG	ZONE				
19AU05	R	01	-	-		WAS PE144301 AND RELEASED	271106	EES	EES/BDM
15DE05	R	02	-	-		REVISED INTERNAL MOUNTING TABS	275726	BB	BB/DM
19JA06	R	03	-	-		REVISED MOUNT TAB	276262	END	END/DM
06MR06	R	03	AA	-		UPDATED PDM ATTRIBUTES	277410	TS	TS/DM
06MR06	R	03	AB	-		44.56 +0.3/-0.5 WAS 44.56	278198	EPS	EPS/MDM



DETAIL C  
SCALE 10:1



- NOTES
- UNLESS OTHERWISE SPECIFIED AND/OR INDICATED:  
DIMENSIONS ARE TO FACE OF VIEW SHOWN AND AUTOMATICALLY ROUNDED BY COMPUTER FOR INSPECTION (SEE MATH MODEL FOR PRECISE DIMENSIONS). FOR ALL OTHER DIMENSIONS NOT SHOWN BUT REQUIRED FOR TOOL BUILD, SEE MATH MODEL FOR PRECISE TOOL PATH DATA.
  - MATERIAL RECYCLING CODE PER ISO 11469. (1)X(0.1) RAISED CHARACTERS AS SHOWN TO BE LOCATED ON ANY EXTERIOR SURFACE.
  - (1)X(0.1) DELPHI CORPORATE BRAND TO BE LOCATED ON ANY EXTERIOR SURFACE, PREFERABLY VISIBLE AT FINAL ASSEMBLY. OPTIONAL CONSTRUCTION FOR EXISTING TOOLING MAY BE "PED".
  - THIS CLIP FITS M5 THREADED STUD

Dwg TYPE PART DRAWING		DATE	
STYLE		DR	
VOLUME 10/1 2,959	DISTR CODE D	AP/D1 E. SEIDEL	18AU05
UNLESS OTHERWISE SPECIFIED THIS DOCUMENT IS IN ACCORDANCE WITH ASME Y14.5M-1994 AS MODIFIED BY THE IN-SUPPLY DIMENSIONAL TOLERANCE PRACTICE AND THE IN-SUPPLY DIMENSIONAL TOLERANCE PRACTICE. SEPARATE NOTATIONS OF FEATURES MAY BE BASED SEPARATELY PER DELPHI 1094001 REFERENCES.		AP/D2 E. SEIDEL	18AU05
ALL DIMENSIONS ARE IN MILLIMETERS		AP/D3 D. MCEOWEN	19AU05
REFERENCE		AP/D4	
THIRD ANGLE PROJECTION		SUBSTANCES OF CONCERN AND RECYCLED CONTENT PER DELPHI 1094001	
DO NOT SCALE		MATERIAL W3592001 P666 HS 1M BLK	
USE MATH DATA		DRAWING NAME MOUN CLIP TAPE ON PUSH NUT M5	
DIMENSIONAL RANGE (MM)		DRAWING NUMBER 13538378	
FROM	TO	SCALE	FRAME NO
> 0	> 30	2:1	1 OF 1
> 30	> 70		1 OF 1
> 70	> 100		1 OF 1
> 100	> 150		1 OF 1
> 150	> 200		1 OF 1
> 200	> 250		1 OF 1
> 250	> 300		1 OF 1
> 300	> 400		1 OF 1
TOLERANCE UNLESS OTHERWISE SPECIFIED		SHEET NO	
±0.15 ±0.2 ±0.3 ±0.4 ±0.5 ±0.6 ±0.8 ±1 ±1.2		1 OF 1	
ANGULAR TOLERANCE 2°		REV	
		R 03 AB	

**DELPHI**  
DELPHI PACKARD ELECTRIC SYSTEMS  
WVREN, OH

DR	DATE
AP/D1 E. SEIDEL	18AU05
AP/D2 E. SEIDEL	18AU05
AP/D3 D. MCEOWEN	19AU05
AP/D4	
SUBSTANCES OF CONCERN AND RECYCLED CONTENT PER DELPHI 1094001	
MATERIAL W3592001 P666 HS 1M BLK	
DRAWING NAME MOUN CLIP TAPE ON PUSH NUT M5	
DRAWING NUMBER 13538378	
SCALE	FRAME NO
2:1	1 OF 1
SHEET NO	1 OF 1
REV	R 03 AB