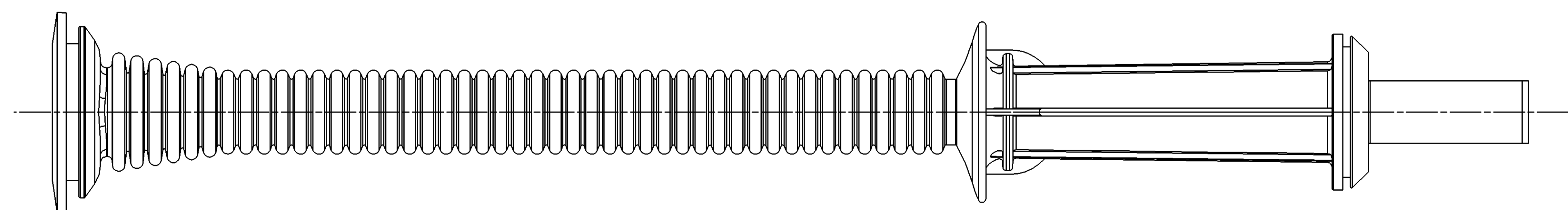
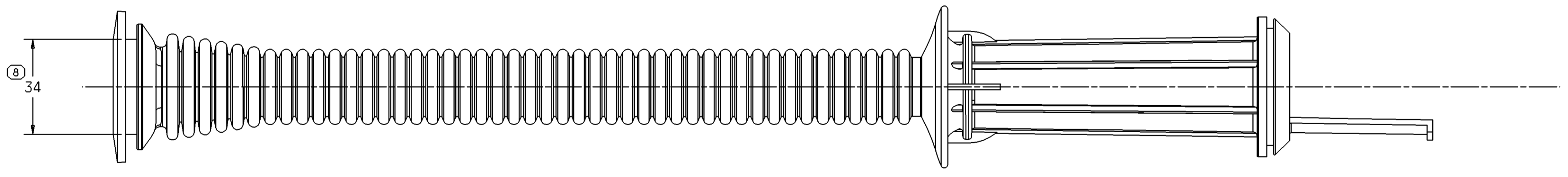
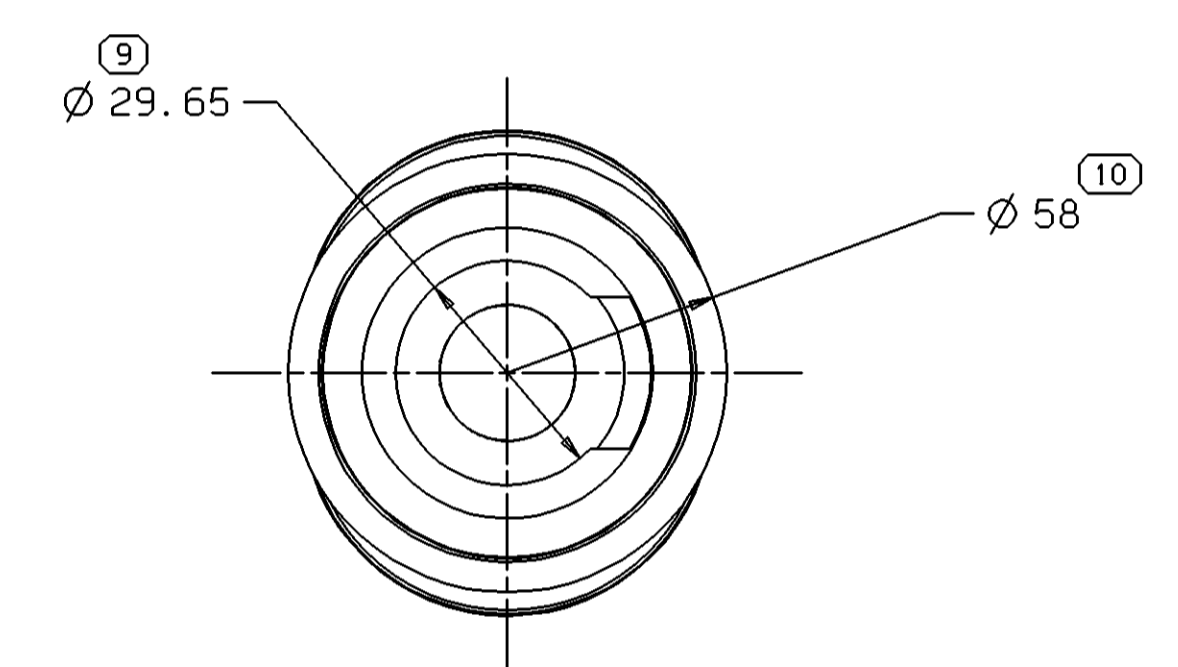
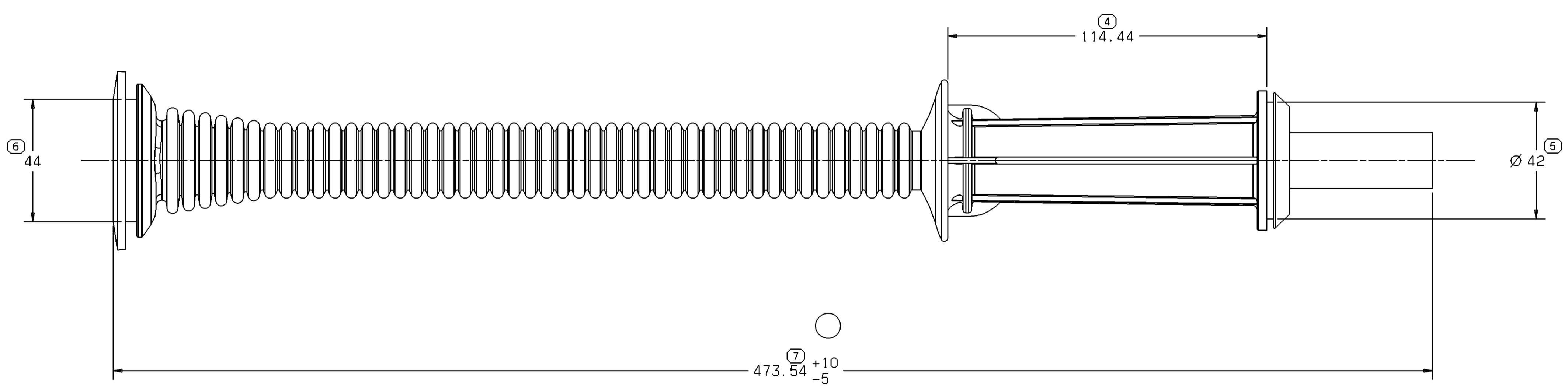
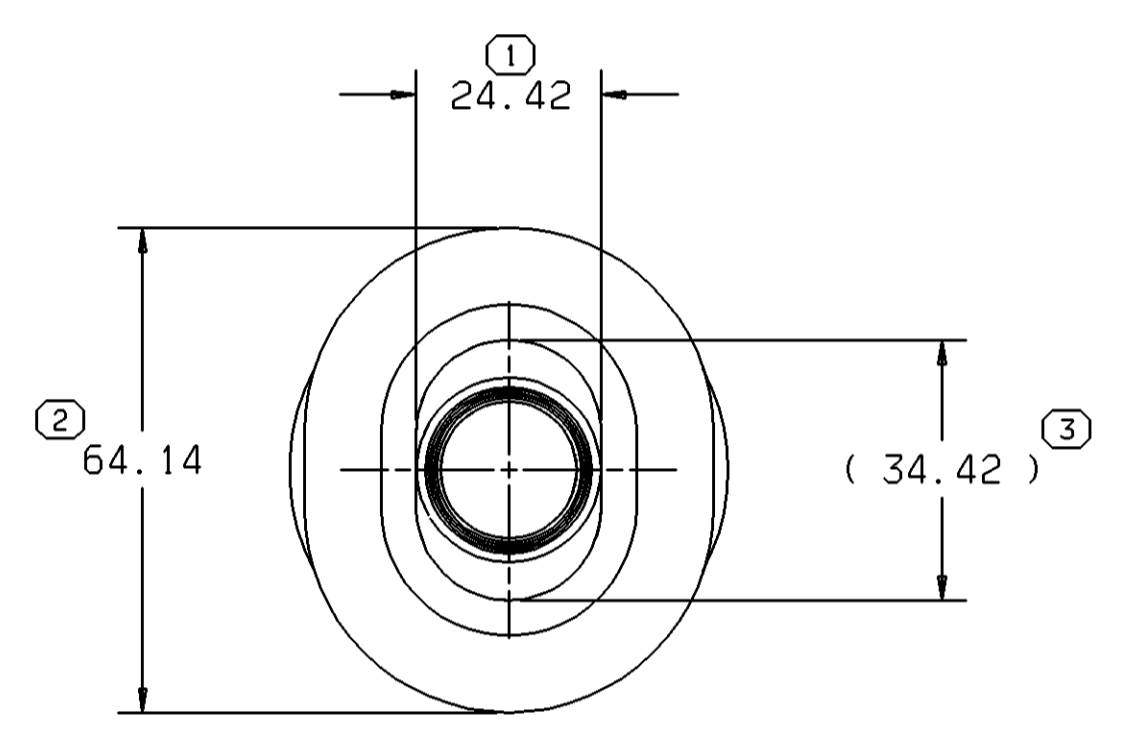
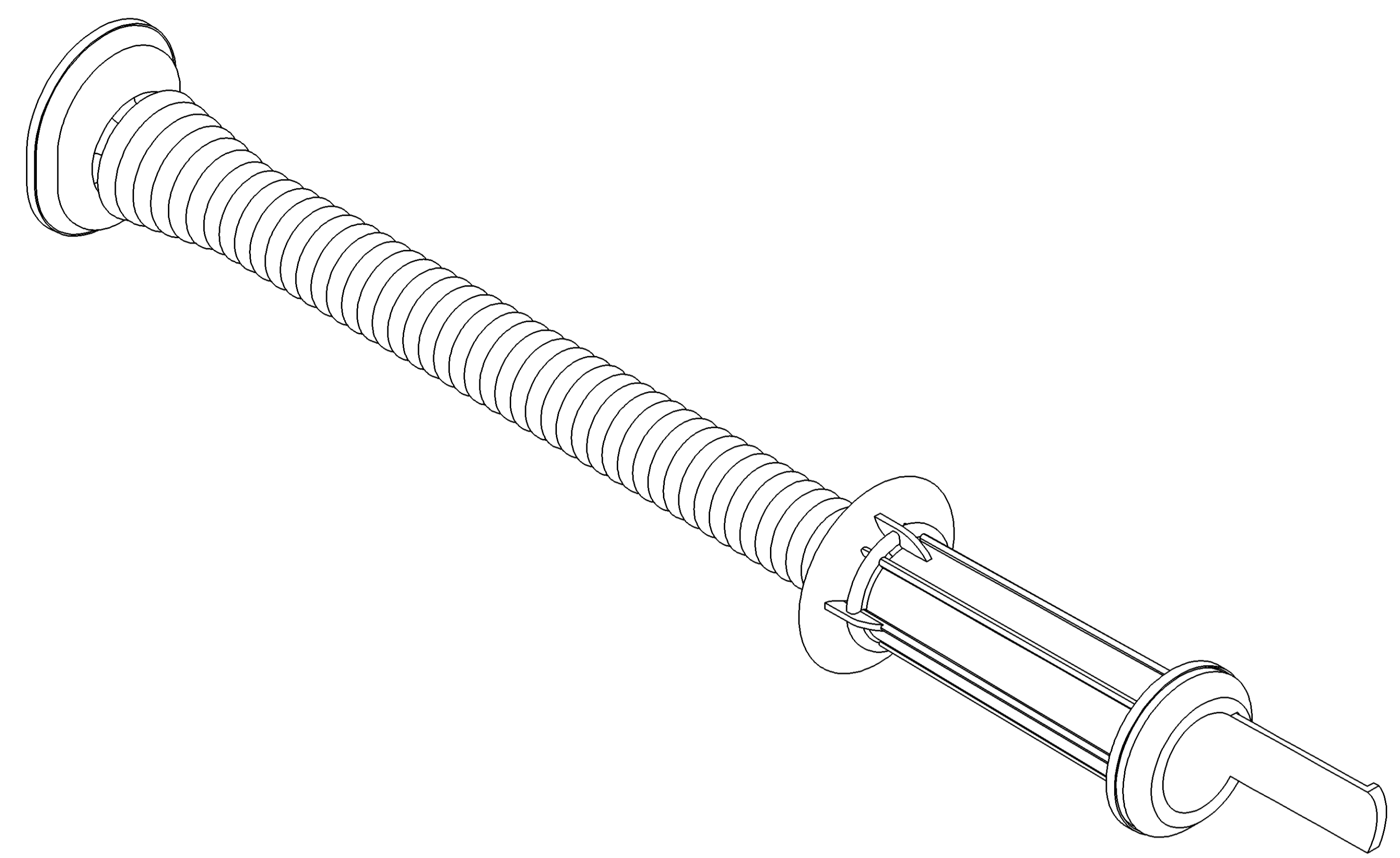
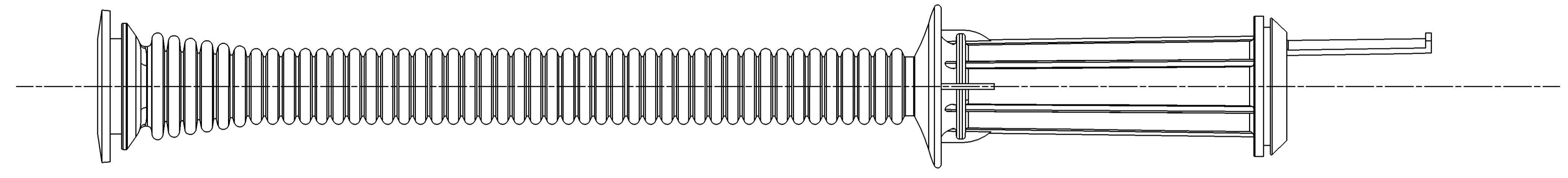


SYMBOL DEFINITION				MISSING SYMBOLS		REVISION HISTORY		AUTH						
A DIMENSION WITHOUT AN INSPECTION REPORT SYMBOL DOES NOT REQUIRE INSPECTION. IT MAY BE CONTROLLED ON THE INDIVIDUAL COMPONENT DRAWING				TOTAL NO. OF INSPECTIONS REQUIRED	10	NO MISSING SYMBOL NUMBERS	DATE	STG	REV	N/P	CHK	ZONE	1	2
				LAST NO. USED	10		16.JUN06	R	03	-			280513	TAI
							05DEC06	R	03	AA			287542	TAI
							WAS PE148946 REVISED AND RELEASED							
							473.54 +10/-5 WAS 473.54							



NOTES:
 1. UNLESS OTHERWISE SPECIFIED AND/OR INDICATED:
 DIMENSIONS ARE TO FACE OF VIEW SHOWN AND AUTOMATICALLY ROUNDED BY COMPUTER FOR INSPECTION (SEE MATH MODEL FOR PRECISE DIMENSIONS). FOR ALL OTHER DIMENSIONS NOT SHOWN BUT REQUIRED FOR TOOL BUILD, SEE MATH MODEL FOR PRECISE TOOL PATH DATA.
 2. (2,3)X(1,2) DELPHI CORPORATE BRAND TO BE LOCATED ON ANY EXTERIOR SURFACE, PREFERABLY VISIBLE AT FINAL ASSEMBLY. OPTIONAL CONSTRUCTION TO BE NO LOGO.
 3. PART IS SYMMETRICAL ABOUT CENTERLINES EXCEPT AS NOTED.

PROCESS SENSITIVE DIMENSION			
DIMENSION INDICATED IN () INDICATE REFERENCE DIMENSIONING AND NO TOLERANCE LIMITS ARE ESTABLISHED			
DIRECTION FROM TO	PREV. DIM.	PREV. DIM.	PREV. DIM.
> 0	> 25	> 50	> 80
> 25	50	80	> 80
TOLERANCE UNLESS OTHERWISE SPECIFIED			
±0.3		±0.5	±0.6
±0.5		±0.75	±1.0
ANGULAR TOLERANCE			
±2'		4'	

ENG TYPE		PART DRAWING	
STYLE		DATE	
VOLUME (OF 1)	106.438	DISTR CODE	
UNLESS OTHERWISE SPECIFIED THIS DOCUMENT IS IN ACCORDANCE WITH ASME Y14.9M-1994 AS AMENDED BY THE 99 GLOBAL DIMENSIONING AND TOLERANCING ADDENDUM - 2001. SEPARATE PATTERNS OF FEATURES MAY BE GAGED SEPARATELY REGARDLESS OF DATUM REFERENCES.			
ALL DIMENSIONS ARE IN MILLIMETERS			
THIRD ANGLE PROJECTION	DO NOT SCALE	USE MATH DATA	
CATIA/CADAM SOLUTIONS			

DELPHI
 DELPHI PACKARD ELECTRIC SYSTEMS
 WARREN, OH

DR	DATE
APV01 T. ILLER	16.N06
APV02 T. ILLER	16.N06
APV03 R. LESIGONICH	16.N06
APV04	
APV05	

SUBSTANCES OF CONCERN AND RECYCLED CONTENT PER DELPHI-A 10949001

MATERIAL: M4525002 50 SHORE A EPDM CMPD BLK

DRAWING NAME: GROM DOOR CDT

DRAWING NUMBER: 13543948

SIZE: A0 SCALE: 1:1 FRAME NO: 1 OF 1 SHEET NO: 1 OF 1 STG: R REV: 03 N/P: AA

FRAME 1 DECEMBER 5, 2006 10.16.31