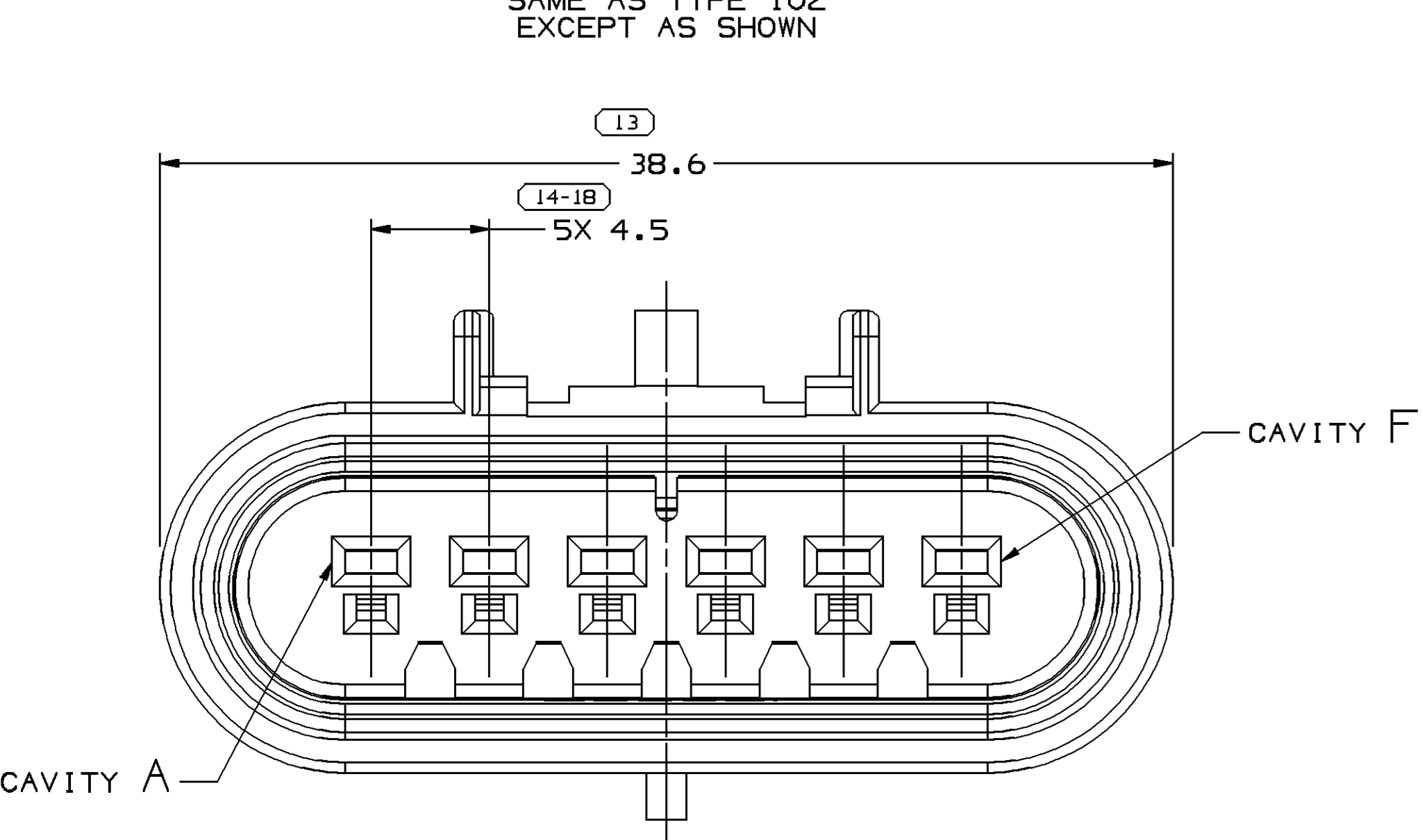
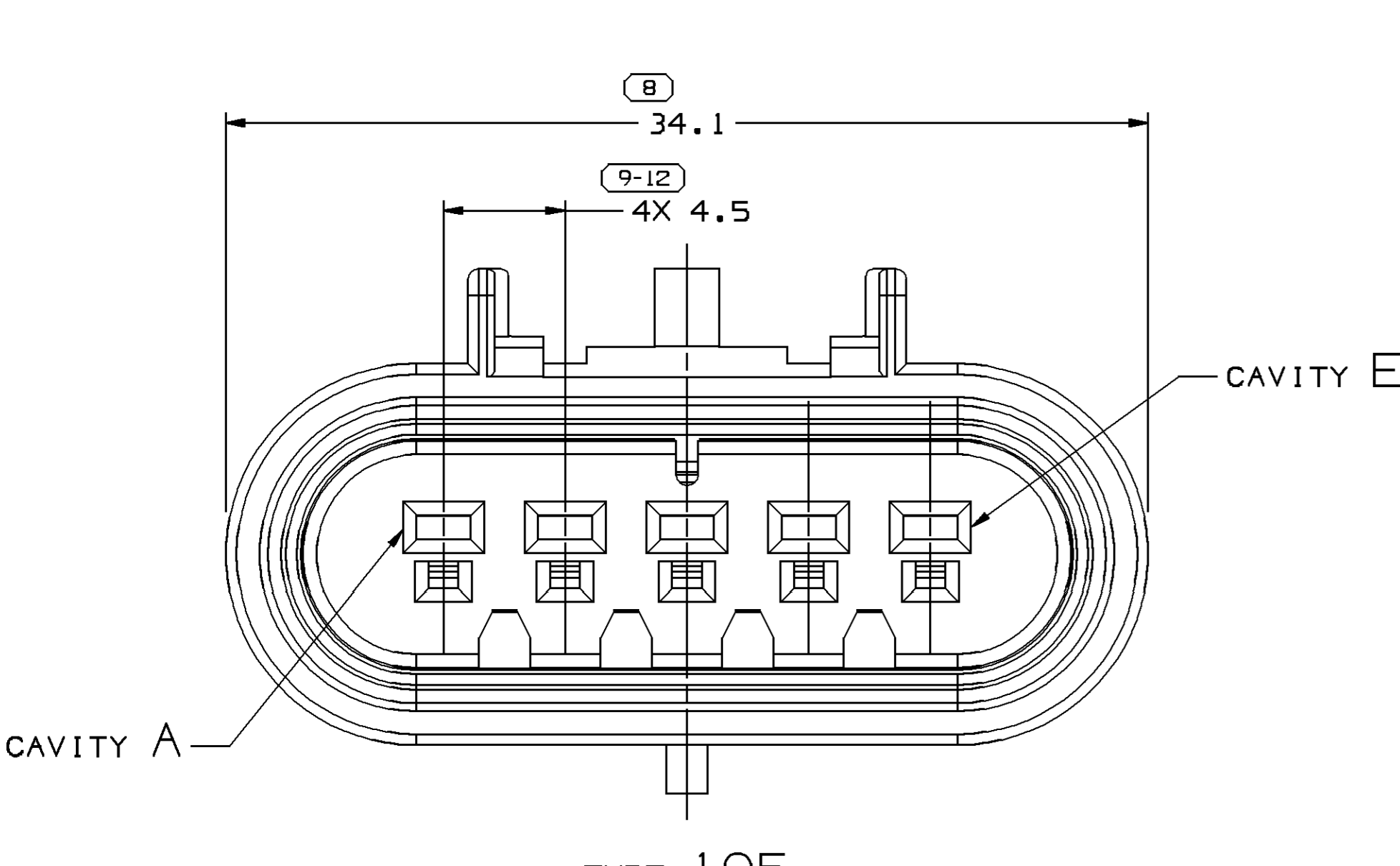
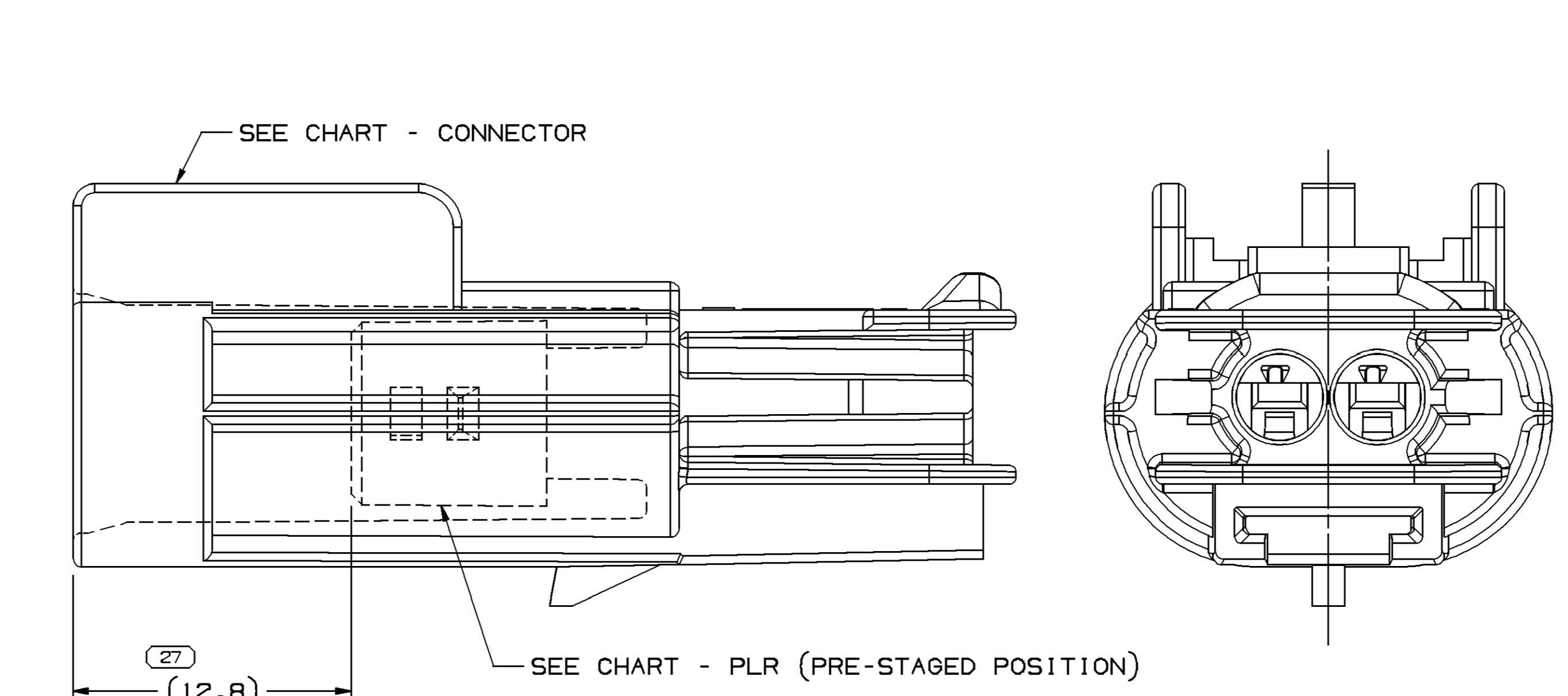
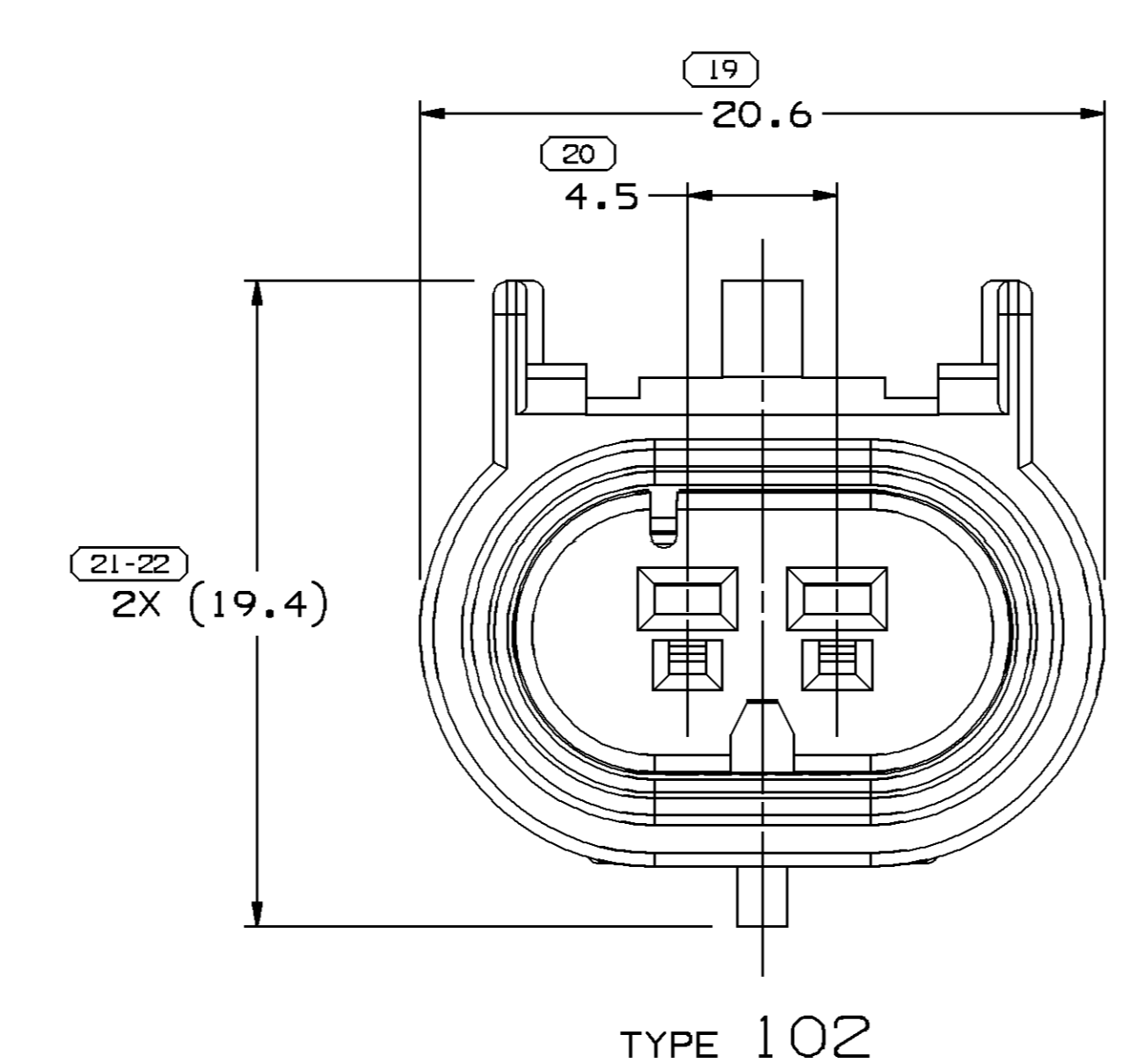
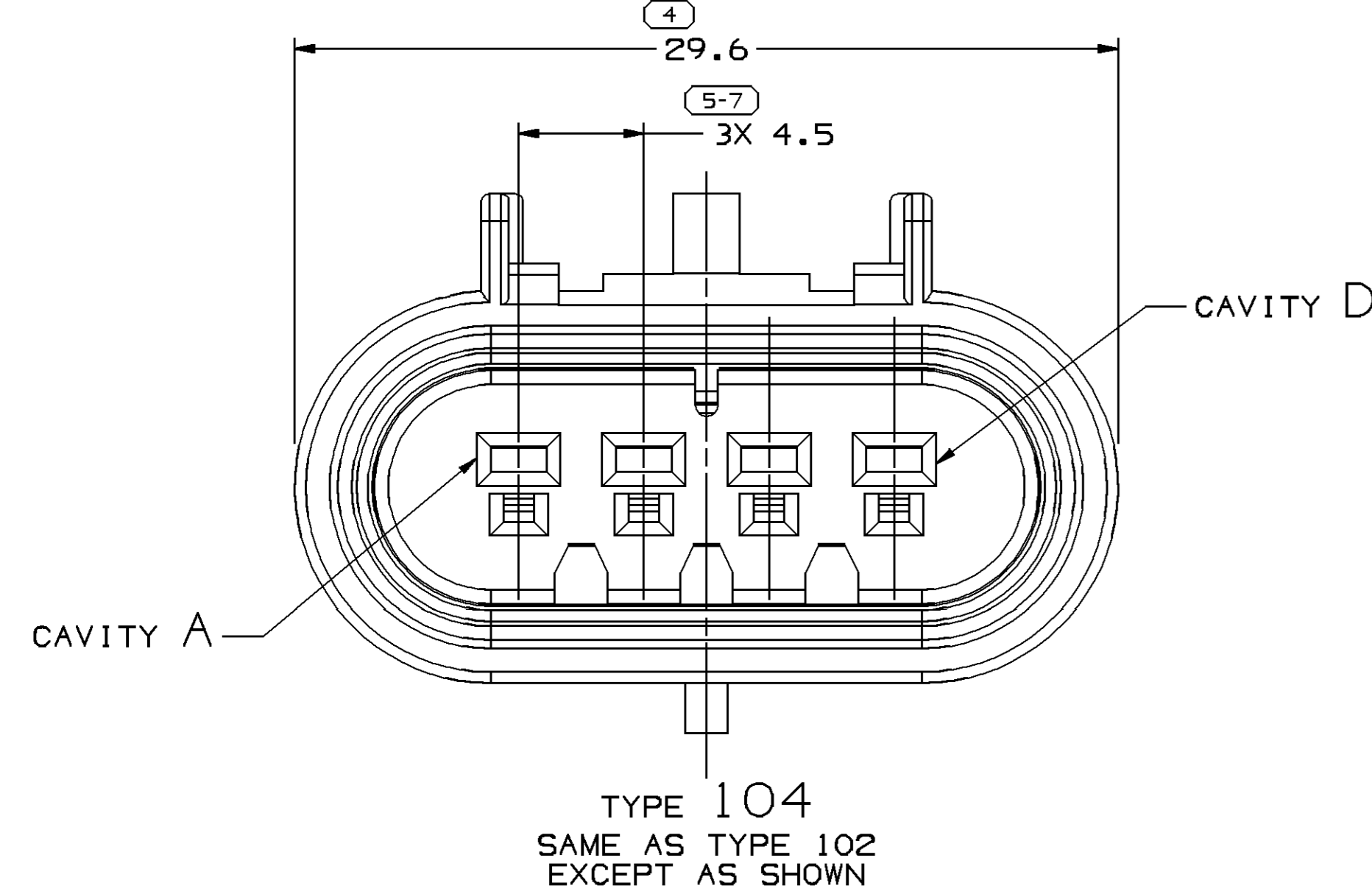
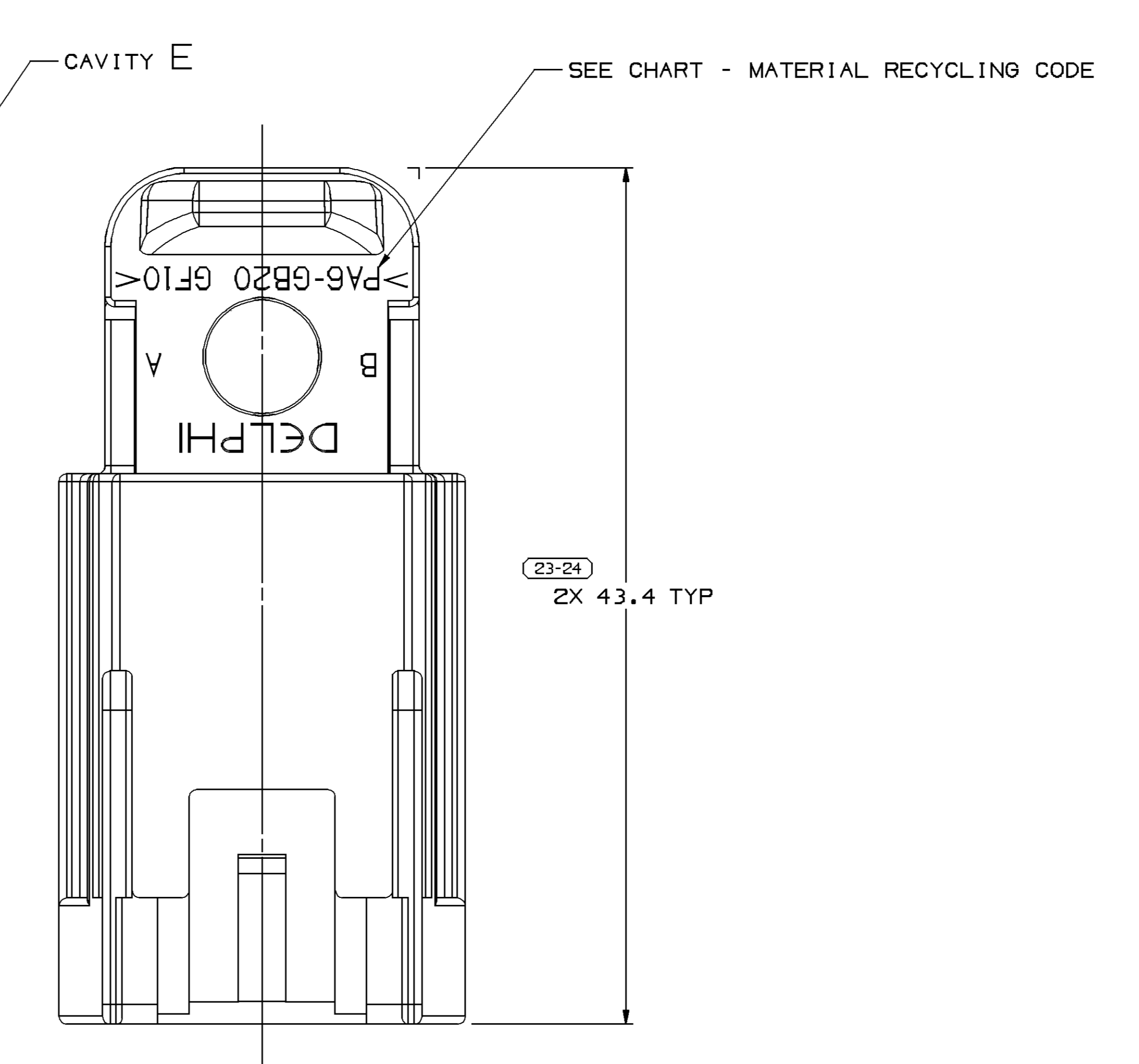
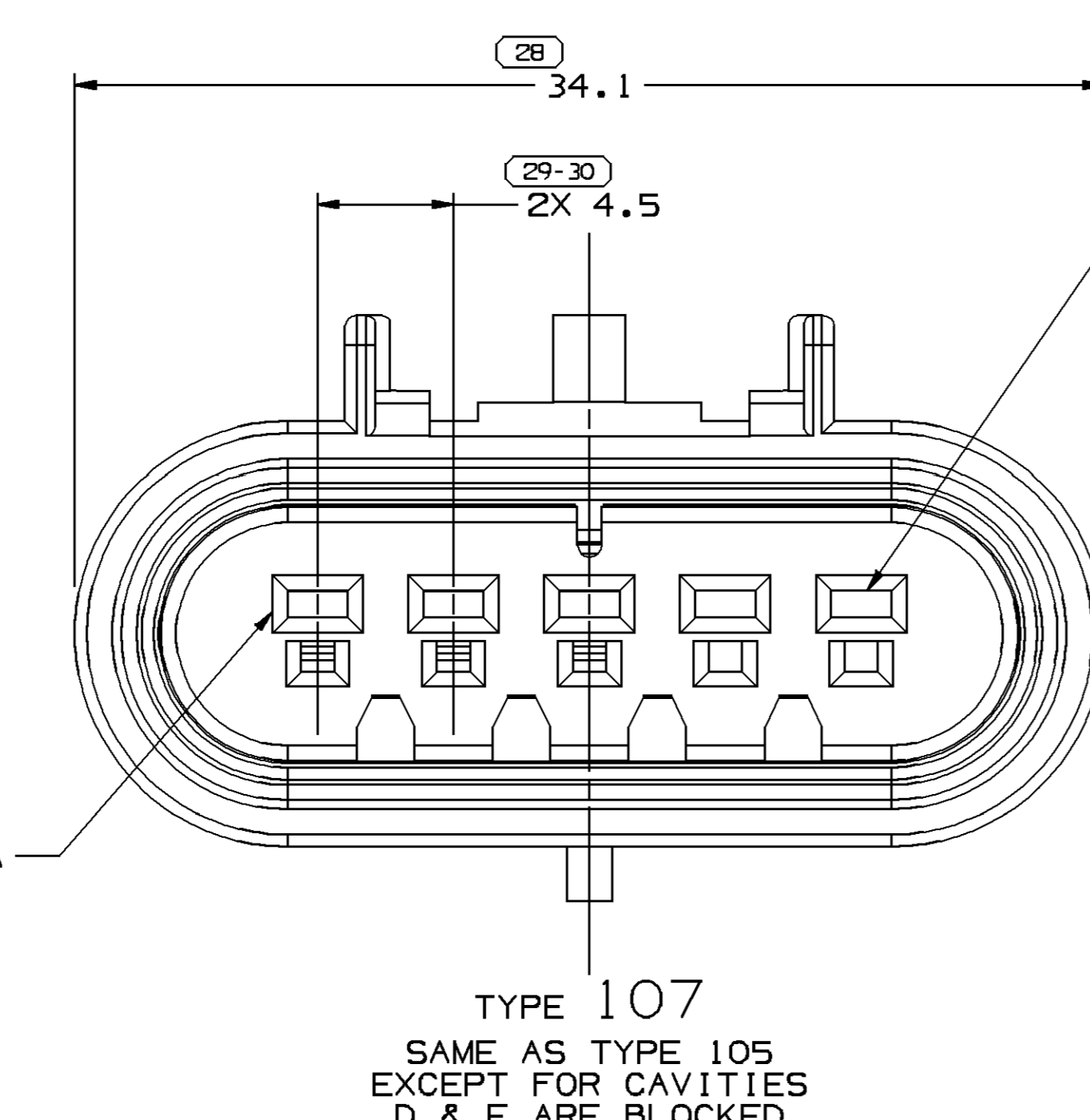
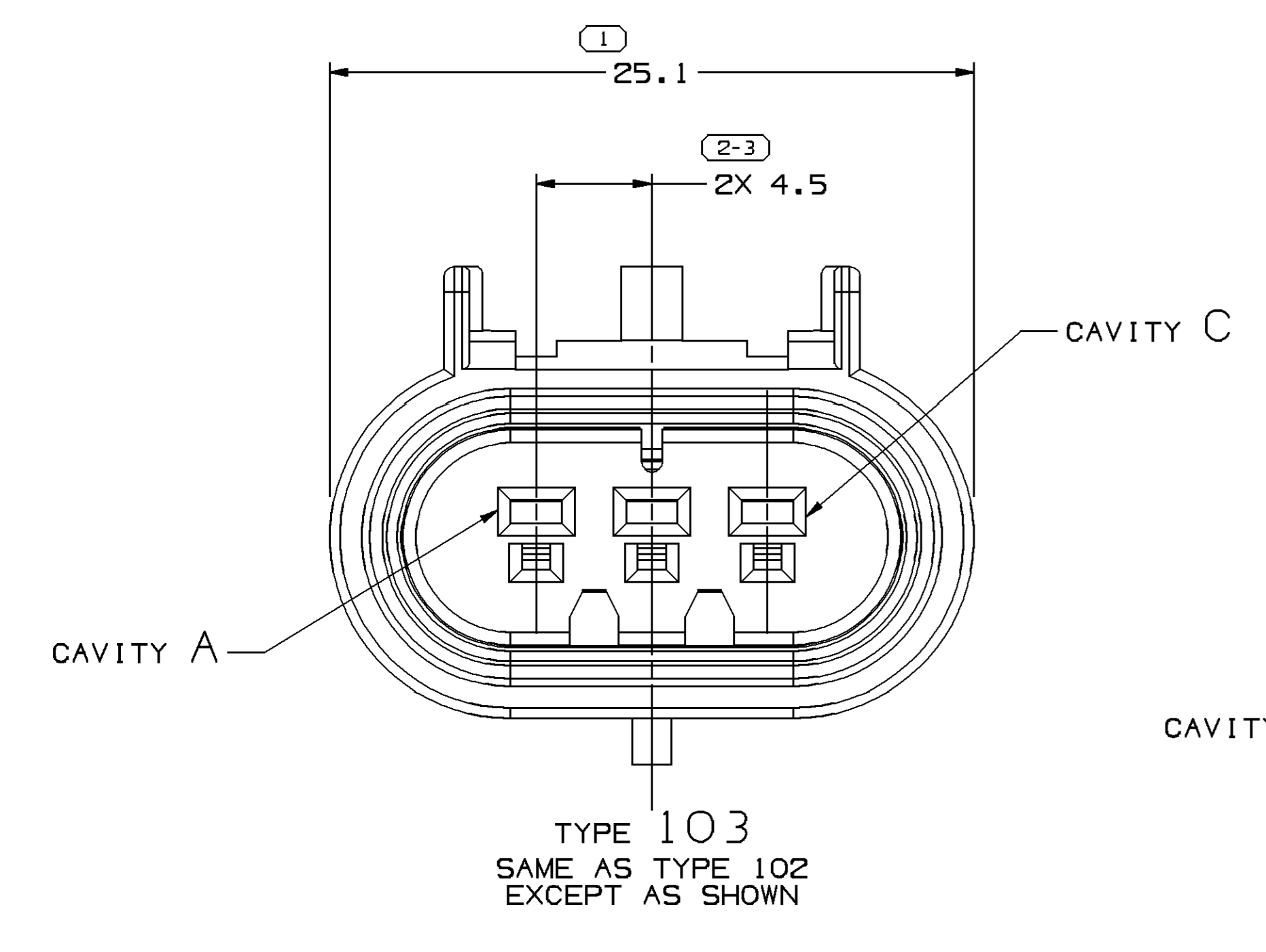


SYMBOL DEFINITION		MISSING NUMBERS		DWG STATUS		ZONE		REVISION HISTORY		AUTH		DR		APVD						
DATE	STG	REV	N/P	CHG	DATE	STG	REV	N/P	CHG	DATE	STG	REV	N/P	CHG	DATE	STG	REV	N/P	CHG	
04N099	R	001	-	-	197500	PHC	JCS	MC	CLARED REVISION COLUMN: ALL PARTS - REVISED GRAPHICS	197500	PHC	JCS	MC							
03JA00	R	002	-	-	198070	JHH	JHH	MC	ALL PARTS REVISED, (19.4) WAS 19.4	198070	JHH	JHH	MC							
27MR00	R	003	-	-	199420	KBD	KBD	MC	ALL PARTS - REVISED PLR	199420	KBD	KBD	MC							
20AP00	R	004	-	-	199528	EVV	MVA	MC	ALL PARTS - ADDED (12.8) DIM & REMOVED 30.6 & 30.6 DIMS	199528	EVV	MVA	MC							
29MR01	R	005	-	-	206589	KBD	KBD	MC	ALL PARTS - REVISED NOTES	206589	KBD	KBD	MC							
29MR01	R	006	-	-	207607	KBD	KBD	MC	15397579 - RELEASED	207607	KBD	KBD	MC							
22FE02	R	007	-	-	220843	EVV	EVV	AH	ALL PARTS - ADDED TPA MATING PART INFORMATION	220843	EVV	EVV	AH							
13JA04	R	08	-	-	249215	BRB	BRB	LN	ADDED 15487755 AND REVISED NOTE 3	249215	BRB	BRB	LN							
13JA04	R	08	-	-	250452	BRB	BRB	LN	ADDED 15487755	250452	BRB	BRB	LN							
06MY04	R	09	-	-	254724	LLJ	LLJ	LN	CORRECTED ASSEMBLIES - 15326820, 15485648, 15487755.	254724	LLJ	LLJ	LN							
10AU04	R	10	-	-	257917	RH	RH	LN	ALL PARTS - ADDED CAVITY PLUG NOTE: ADDED PART 13510099	257917	RH	RH	LN							
01DE04	R	11	-	-	261604	HAM	HAM	MC	15326806 - UPDATED PDM ATTRIBUTES	261604	HAM	HAM	MC							
04JA05	R	12	-	-	262679	ADK	ADK	LN	13519049, 13519053 - RELEASED	262679	ADK	ADK	LN							
07FE05	R	13	-	-	264260	JPB	JVM	PYP	13519592 - RELEASED	264260	JPB	JVM	PYP							
29JN05	R	14	-	-	269268	JEB	JEB	LN	RELEASED 13533785	269268	JEB	JEB	LN							
18OC05	R	15	-	-	273303	CJP	CJP	LN	ALL PARTS - ADDED "CONN COLOR" COLUMN TO CHART: 15326806, 15326827 & 15326820 - CHANGED STATUS TO RESTRICTED AND ADDED "REPLACED BY" PART NUMBER: 13519592 - OBSOLETE: 13546698 - RELEASED	273303	CJP	CJP	LN							
13FE06	R	16	-	-	277480	TS	TS	SM	UPDATED PDM ATTRIBUTES	277480	TS	TS	SM							
17AP06	R	17	-	-	279594	JBD	AUG	SRM	13510099 - UPDATED PDM ATTRIBUTES	279594	JBD	AUG	SRM							



- NOTES
- UNLESS OTHERWISE SPECIFIED AND/OR INDICATED: DIMENSIONS ARE TO FACE OF VIEW SHOWN AND AUTOMATICALLY ROUNDED BY COMPUTER FOR INSPECTION. (SEE MATH MODEL FOR PRECISE DIMENSIONS.) FOR ALL OTHER DIMENSIONS NOT SHOWN BUT REQUIRED FOR TOOL BUILD, SEE MATH MODEL FOR PRECISE TOOL PATH DATA.
 - MATING COMPONENTS OR EQUIVALENT: PLASTIC MATING ASSEMBLY PARTS SEE CHART
 - THIS PART ACCEPTS THE FOLLOWING COMPONENTS OR EQUIVALENT:
 - TERMINAL 15326268
 - CABLE SEAL 15366021
 - CAVITY PLUG 15305171
 - METAL CLIP SEE TAXI 08900009
 - PLASTIC SELF LOCKING CLIP 15358639
- THIS CONNECTOR MEETS OR EXCEEDS SAE/USCAR-2 AUGUST 1997, SECTION 5.3.1.2, TERMINAL DISENGAGE CRITERIA WITH THE APPLICATION OF A TERMINAL POSITION ASSURANCE (TPA) SECONDARY LOCK. (SEE CHART BELOW FOR APPROPRIATE TPA).

PART NO	REV	N/P	STATUS	TYPE	CONNECTOR	CONN COLOR	MATERIAL RECYCLING CODE	PLR	MATING ASM CONN	MATING TPA	REPLACED BY
13546698	01	-	-	102	13546697	NAT	PBT-GF20	15326803 / ID404323	13546696	15355128	-
13533785	01	AA	-	102	13534233	GRA	PBT-GF20	15326803 / ID404323	13533784	15355128	-
13519592	01	AA	OBSOLETE	107	13519591	BLK	PA6-GB20 GF10	15326824 / ID404319	13521746	15418547	-
13519053	01	AA	-	105	13519052	BLK	PBT-GF20	15326824 / ID404319	13519051	15418547	-
13519049	01	AA	-	103	13519048	BLK	PBT-GF20	15326810 / ID404322	13519047	15418545	-
13510099	01	AC	-	102	13510098	BLK	PBT-GF20	15326803 / ID404323	13510085	15355128	-
15487755	01	AC	-	104	15487757	BLK	PBT-GF20	15326817 / ID404321	15487756	15418546	-
15485648	01	AC	-	104	15485650	GRA	PBT-GF20	15326817 / ID404321	15485649	15418546	-
15397579	01	AC	-	106	15397576	BLK	PBT-GF20	15326937 / ID404318	15397577	15317363	-
15326833 / ID404618	03	AE	-	106	15326832 / ID404324	BLK	PA6-GB20 GF10	15326937 / ID404318	15326829 / ID404613	15317363	-
15326827 / ID404617	03	AE	RESTRICTED	105	15326826 / ID404325	BLK	PA6-GB20 GF10	15326824 / ID404319	15326822 / ID404612	15418547	13519053
15326820 / ID404616	03	AF	RESTRICTED	104	15326819 / ID404326	BLK	PA6-GB20 GF10	15326815 / ID404611	15418546	15487755	-
15326813 / ID404615	03	AE	-	103	15326812 / ID404327	BLK	PA6-GB20 GF10	15326810 / ID404322	15326808 / ID404610	15418545	-
15326806 / ID404614	03	AF	RESTRICTED	102	15326805 / ID404328	BLK	PA6-GB20 GF10	15326803 / ID404323	15326801 / ID404609	15355128	13510099

DELPHI
DELPHI PACK/ARD ELECTRIC SYSTEMS
WVREN, OH

PART DRAWING

DATE: 16JL97

DR: M. MCCALL

APVD: M. MCCALL

APVD: M. CHUPAK

25JL97

TAXI ASM CONN M 0T 150 SLD

15326962

SCALE: 5:1

FRM: 1 OF 2

SHEET: 1 OF 1

REV: 1

N/P: -

DATE: 08-Jun-06 Time: 16:57