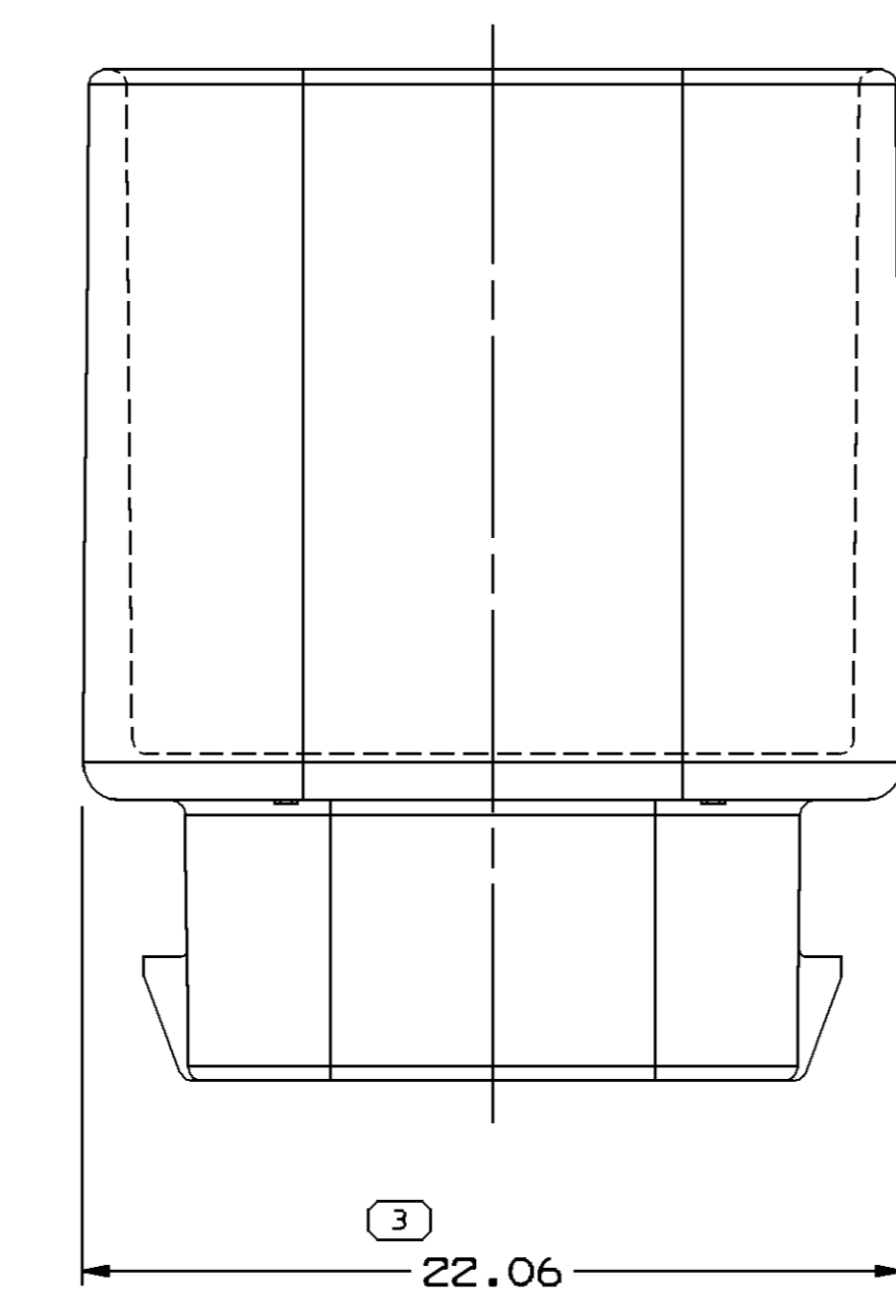
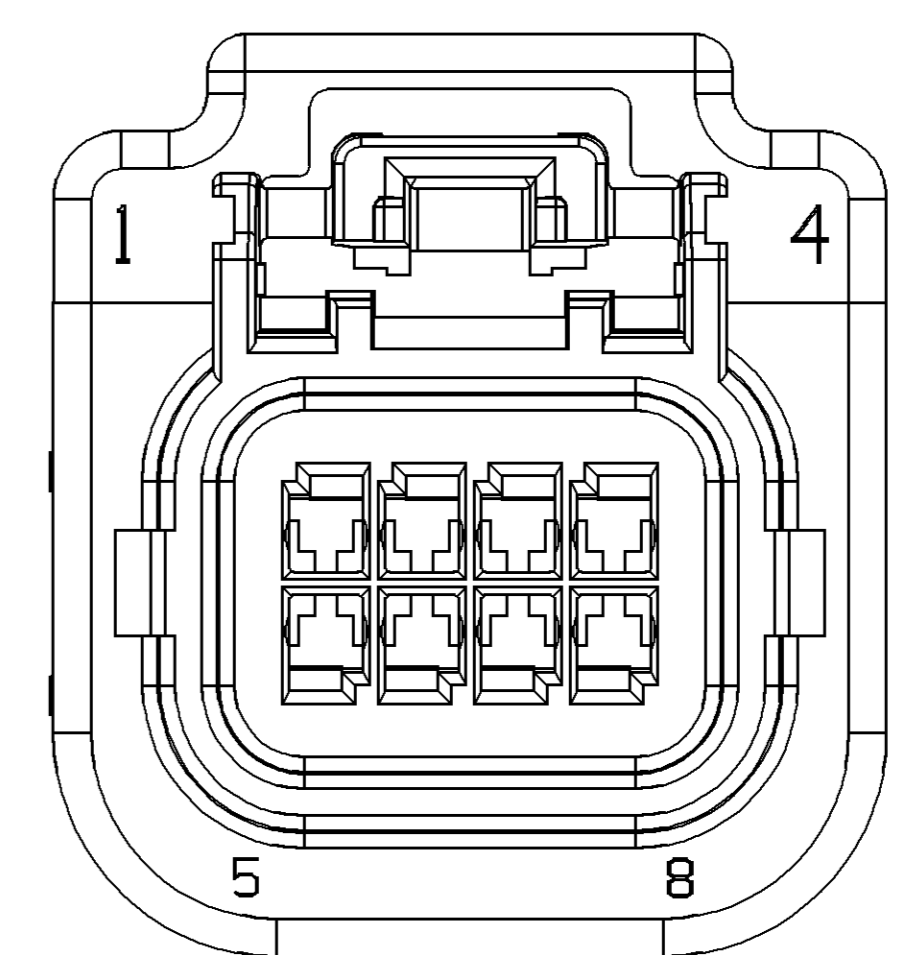
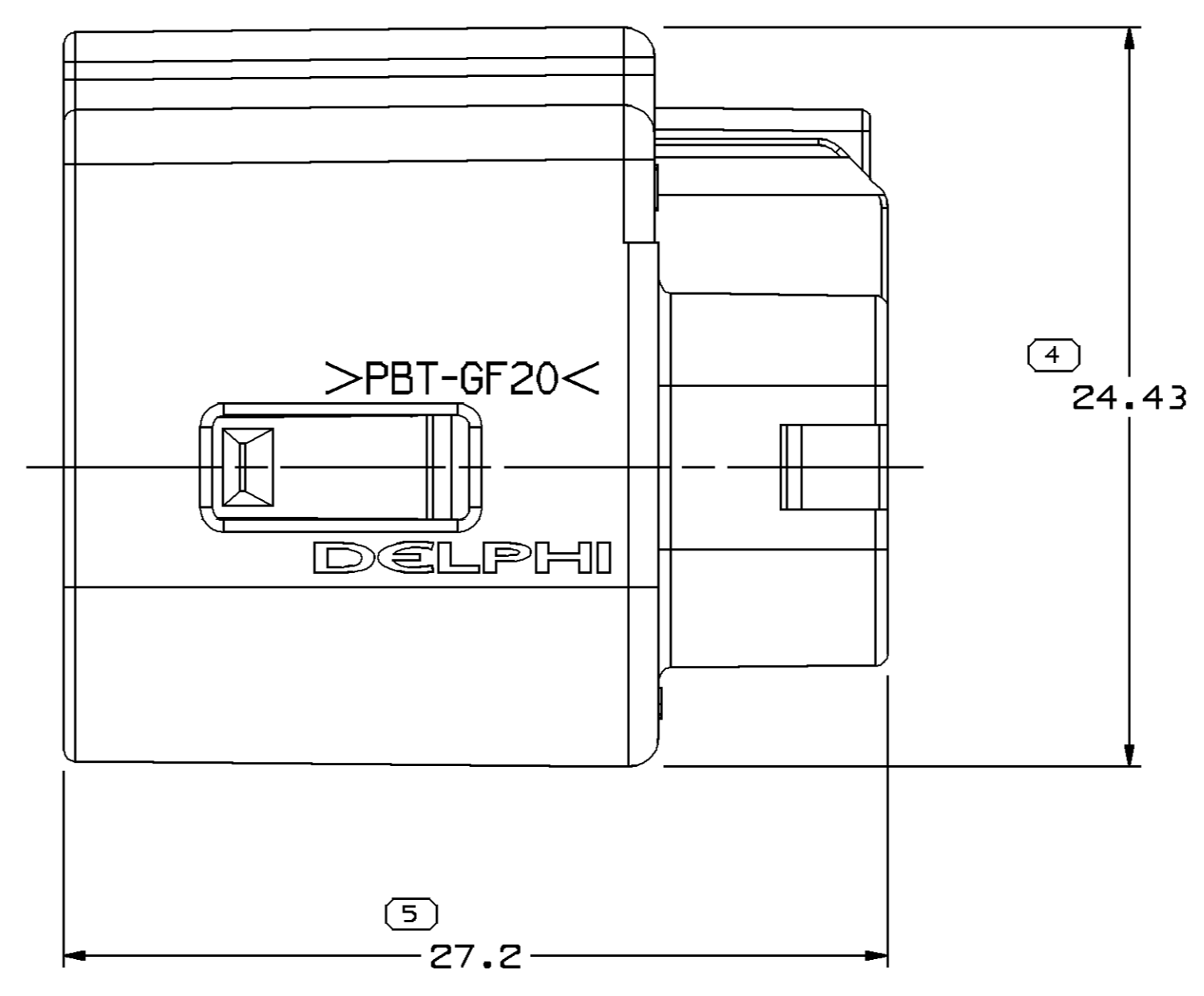
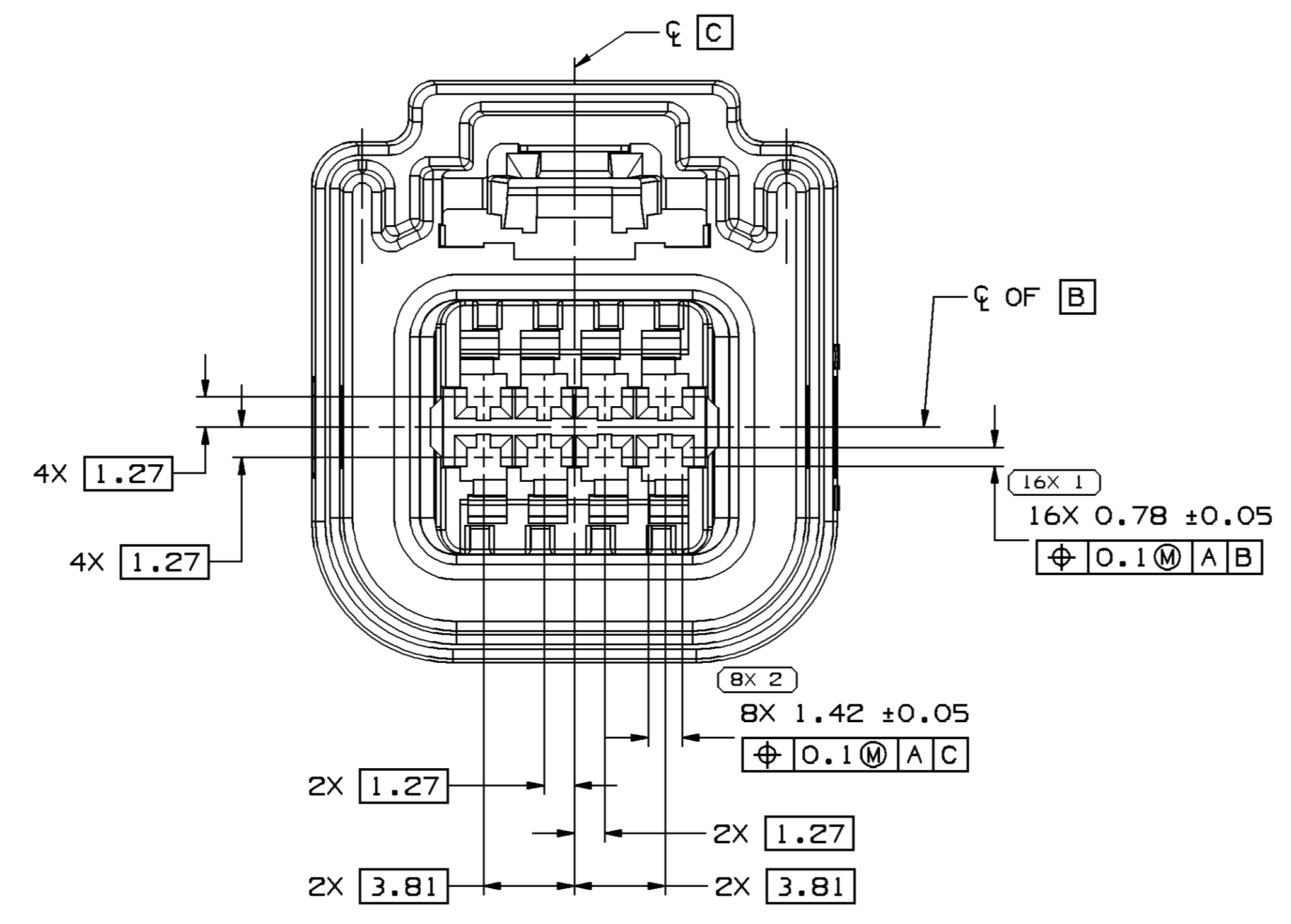
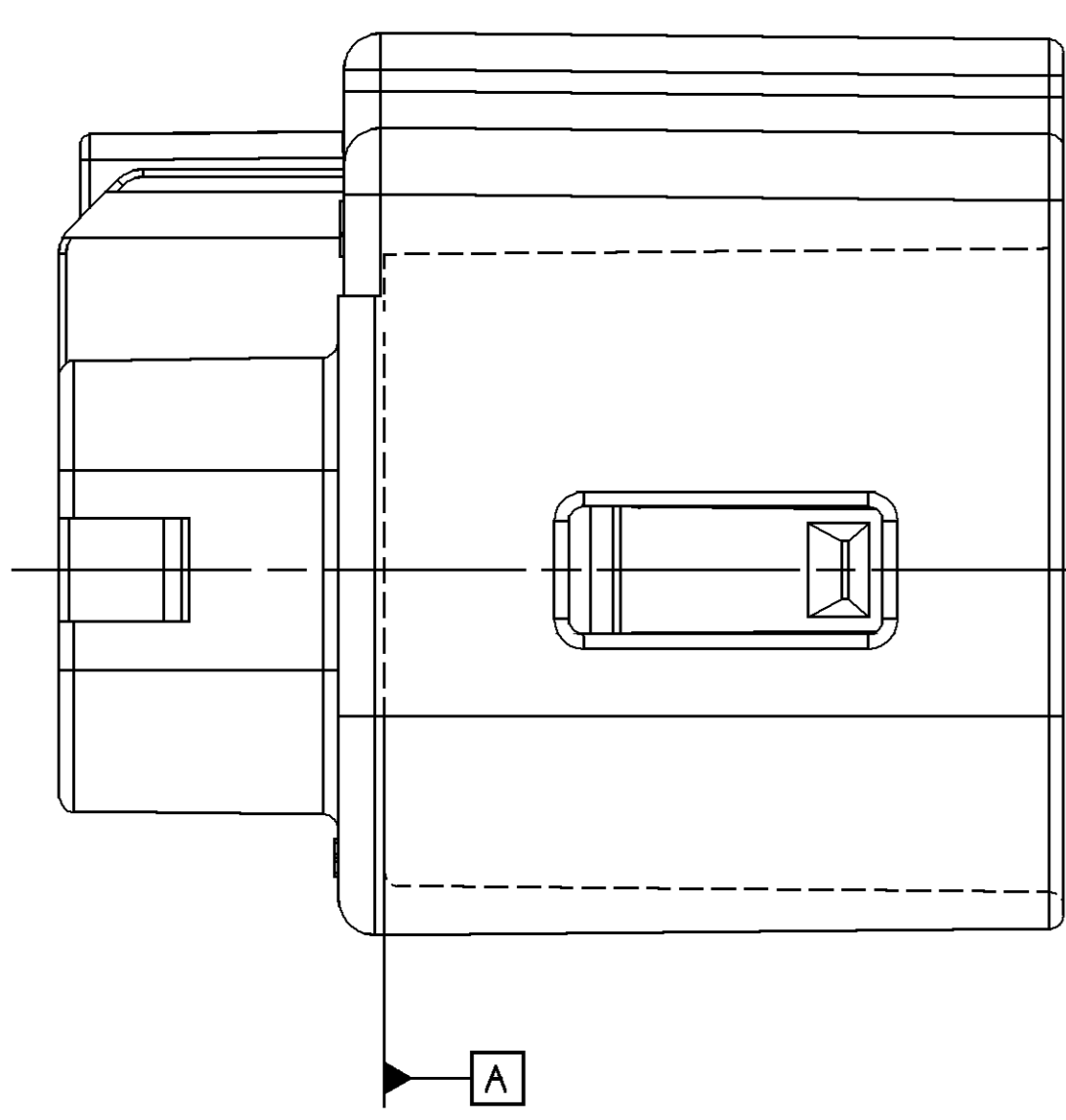
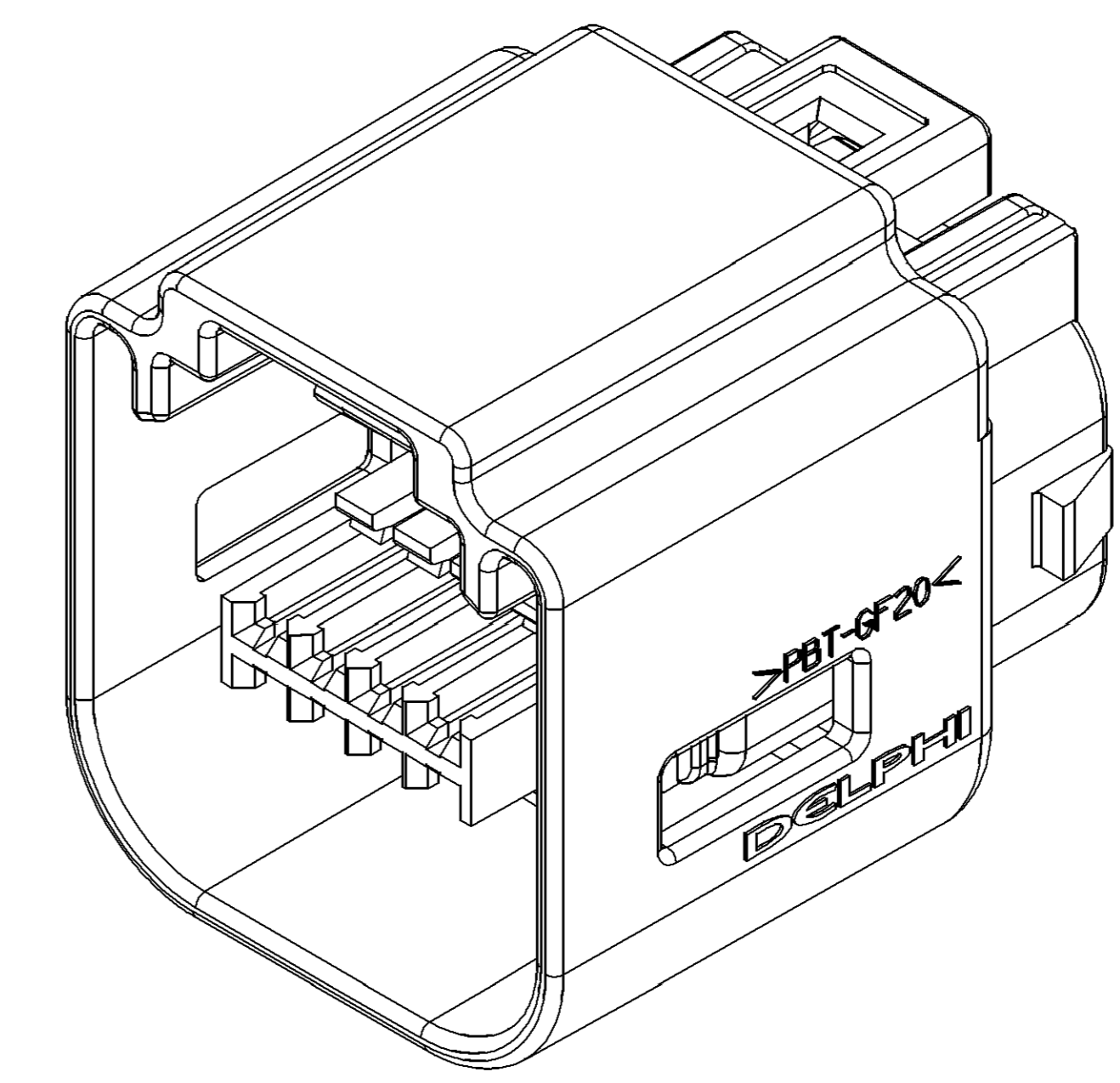
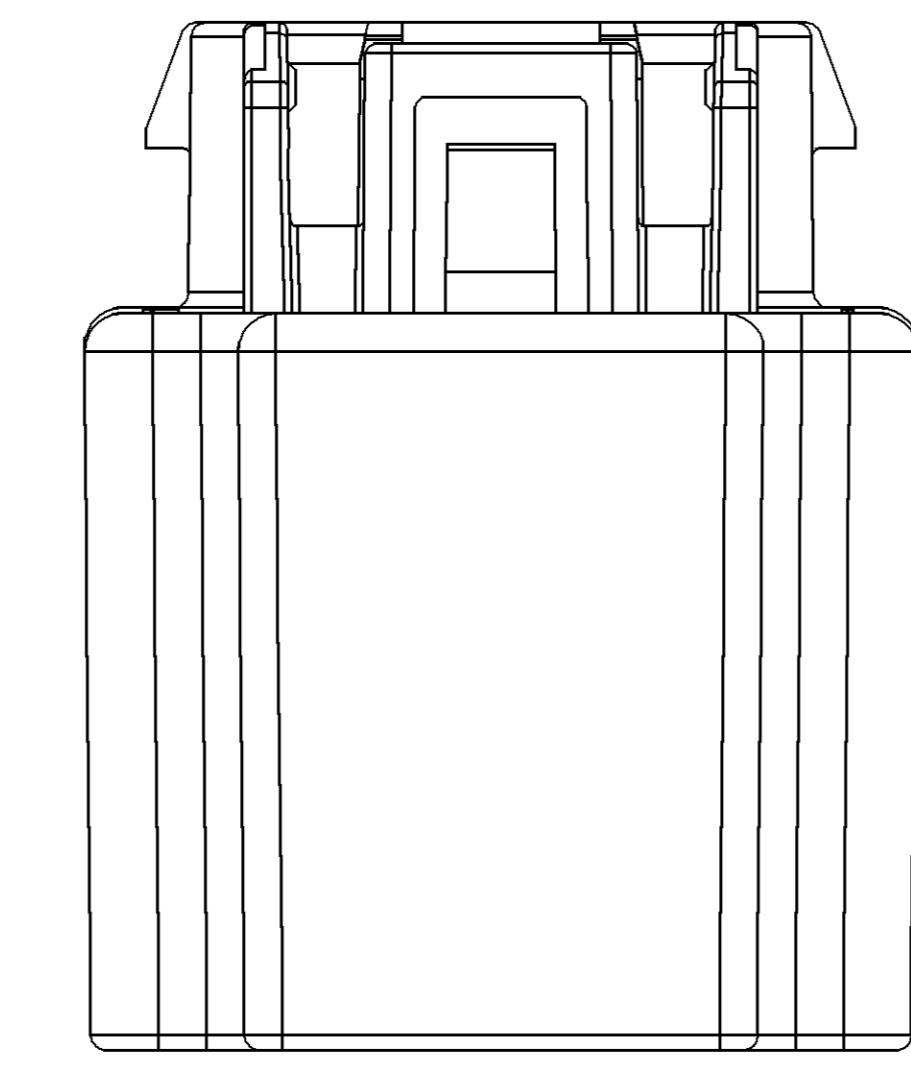


SYMBOL DEFINITION		TOTAL NO OF INSPECTIONS REQUIRED	MISSING SYMBOLS
A DIMENSION WITHOUT AN INSPECTION REPORT SYMBOL DOES NOT REQUIRE INSPECTION. IT MAY BE CONTROLLED ON THE INDIVIDUAL COMPONENT DRAWING.		27	NO MISSING SYMBOL NUMBER
LAST NO. USED		5	

DWG STATUS				REVISION HISTORY		AUTH	DR	AP/VD		
DATE	STG	REV	N/P	CHG	ZONE					
05MY06	R	01	-	-		RELEASED - WAS PE133059	280161	RH	RH	SFM
14JN06	R	02	-	-		UPDATED CAVITY TO LATEST ESD	281514	EES	EES	SFM
29JN06	R	03	-	-		REVISED GRAPHICS	281963	JS	JS	SFM
29JA08	R	03	AA	-		CREATED APPLICATION SHEET AND REVISED NOTES	403700	RH	RH	SFM



NOTES

- UNLESS OTHERWISE SPECIFIED AND/OR INDICATED:  
DIMENSIONS ARE TO FACE OF VIEW SHOWN AND AUTOMATICALLY ROUNDED BY COMPUTER FOR INSPECTION (SEE MATH MODEL FOR PRECISE DIMENSIONS). FOR ALL OTHER DIMENSIONS NOT SHOWN BUT REQUIRED FOR TOOL BUILD, SEE MATH MODEL FOR PRECISE TOOL PATH DATA.
- MATERIAL RECYCLING CODE PER ISO 11469. (11X(0.1) CHARACTERS AS SHOWN TO BE LOCATED ON ANY EXTERIOR SURFACE.
- (11X(0.1) DELPHI CORPORATE BRAND TO BE LOCATED ON ANY EXTERIOR SURFACE, PREFERABLY VISIBLE AT FINAL ASSEMBLY. OPTIONAL CONSTRUCTION FOR EXISTING TOOLING MAY BE "PED".
- REFERENCE MATING COMPONENTS OR EQUIVALENT:  
CONNECTOR 064-S-00B-2-Z01 (OPTION A)
- FOR APPLICATION DATA SEE THE APPLICATION DRAWING.

DWG TYPE <b>PART DRAWING</b>																			
STYLE																			
VOLUME 10/11	DISTR CODE <b>D</b>																		
4,360																			
UNLESS OTHERWISE SPECIFIED THIS DOCUMENT IS IN ACCORDANCE WITH ASME Y14.5M-1994 AS MODIFIED BY THE IN-SUPPLY DIMENSIONING AND TOLERANCING ADDENDUM-001. SEPARATE WRITINGS OF FEATURES MAY BE BASED SEPARATELY PER POLARIS OF DATUM REFERENCES.																			
ALL DIMENSIONS ARE IN MILLIMETERS																			
REFERENCE																			
<table border="1"> <thead> <tr> <th>DIMENSIONAL RANGE (MM)</th> <th>SHORT ET</th> </tr> </thead> <tbody> <tr> <td>FROM &gt; 0</td> <td>&gt; 30</td> </tr> <tr> <td>&gt; 30</td> <td>&gt; 70</td> </tr> <tr> <td>&gt; 70</td> <td>&gt; 100</td> </tr> <tr> <td>&gt; 100</td> <td>&gt; 150</td> </tr> <tr> <td>&gt; 150</td> <td>&gt; 200</td> </tr> <tr> <td>&gt; 200</td> <td>&gt; 250</td> </tr> <tr> <td>&gt; 250</td> <td>&gt; 300</td> </tr> <tr> <td>&gt; 300</td> <td>&gt; 400</td> </tr> </tbody> </table>		DIMENSIONAL RANGE (MM)	SHORT ET	FROM > 0	> 30	> 30	> 70	> 70	> 100	> 100	> 150	> 150	> 200	> 200	> 250	> 250	> 300	> 300	> 400
DIMENSIONAL RANGE (MM)	SHORT ET																		
FROM > 0	> 30																		
> 30	> 70																		
> 70	> 100																		
> 100	> 150																		
> 150	> 200																		
> 200	> 250																		
> 250	> 300																		
> 300	> 400																		
<table border="1"> <thead> <tr> <th>TOLERANCE UNLESS OTHERWISE SPECIFIED</th> <th>ANGULAR TOLERANCE 2°</th> </tr> </thead> <tbody> <tr> <td>±0.15</td> <td>±1</td> </tr> <tr> <td>±0.2</td> <td>±1</td> </tr> <tr> <td>±0.3</td> <td>±1</td> </tr> <tr> <td>±0.4</td> <td>±1</td> </tr> <tr> <td>±0.5</td> <td>±1</td> </tr> <tr> <td>±0.6</td> <td>±1</td> </tr> <tr> <td>±0.8</td> <td>±1</td> </tr> <tr> <td>±1</td> <td>±1.2</td> </tr> </tbody> </table>		TOLERANCE UNLESS OTHERWISE SPECIFIED	ANGULAR TOLERANCE 2°	±0.15	±1	±0.2	±1	±0.3	±1	±0.4	±1	±0.5	±1	±0.6	±1	±0.8	±1	±1	±1.2
TOLERANCE UNLESS OTHERWISE SPECIFIED	ANGULAR TOLERANCE 2°																		
±0.15	±1																		
±0.2	±1																		
±0.3	±1																		
±0.4	±1																		
±0.5	±1																		
±0.6	±1																		
±0.8	±1																		
±1	±1.2																		
<table border="1"> <thead> <tr> <th>THIRD ANGLE PROJECTION</th> <th>DO NOT SCALE</th> </tr> </thead> <tbody> <tr> <td></td> <td></td> </tr> <tr> <td>USE MATH DATA</td> <td></td> </tr> </tbody> </table>		THIRD ANGLE PROJECTION	DO NOT SCALE			USE MATH DATA													
THIRD ANGLE PROJECTION	DO NOT SCALE																		
USE MATH DATA																			

<b>DELPHI</b>	
DELPHI PACKARD ELECTRICAL/ELECTRONIC ARCHITECTURE WARREN, OH	
DR	DATE
AP/VD1 ROBERT HURD	05MY06
AP/VD2 ROBERT HURD	05MY06
AP/VD3 SEAN MILLER	08MY06
AP/VD4	
SUBSTANCES OF CONCERN AND RECYCLED CONTENT PER DELPHI 10949001	
MATERIAL POLYESTER COMPOUND BLK	
DRAWING NAME CONN B F MICRO HVT 1.2 BLK SLD	
DRAWING NUMBER <b>13567796</b>	
SIZE A0	SCALE 5:1
FRAME NO 1 OF 1	SHEET NO 1 OF 1
STG R	REV 03
N/P AA	