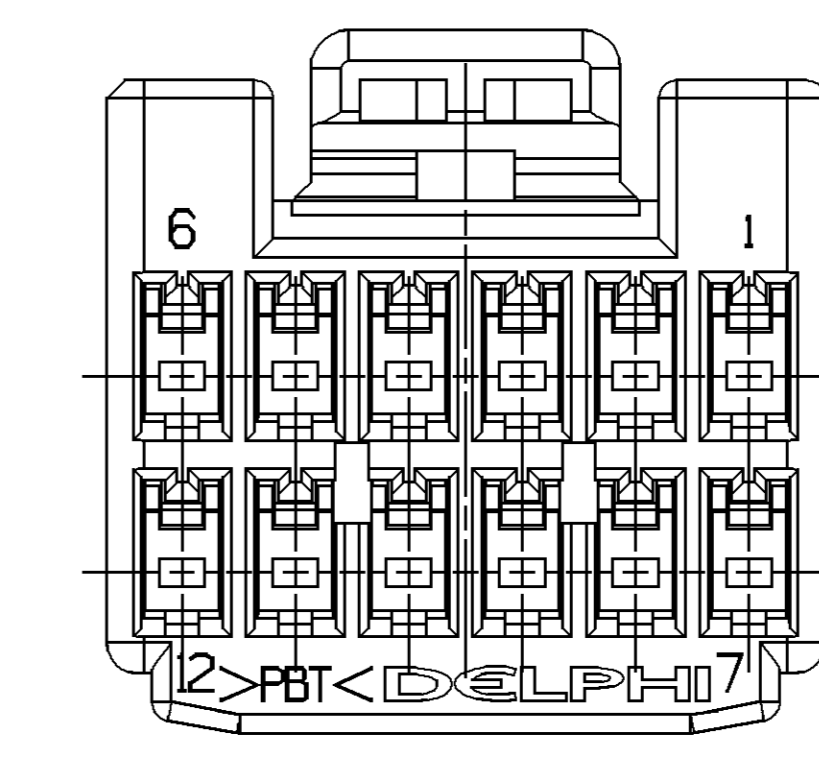
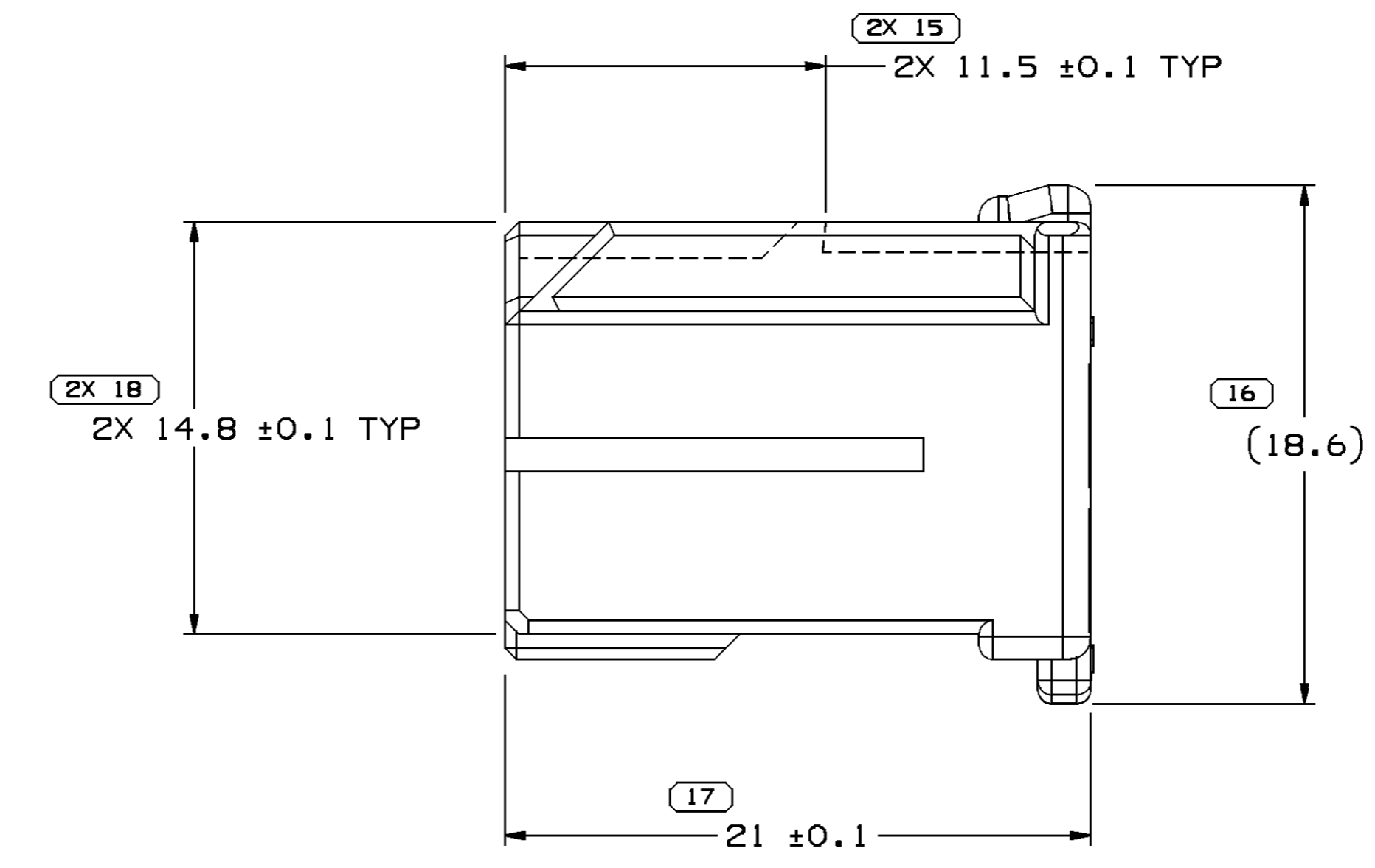
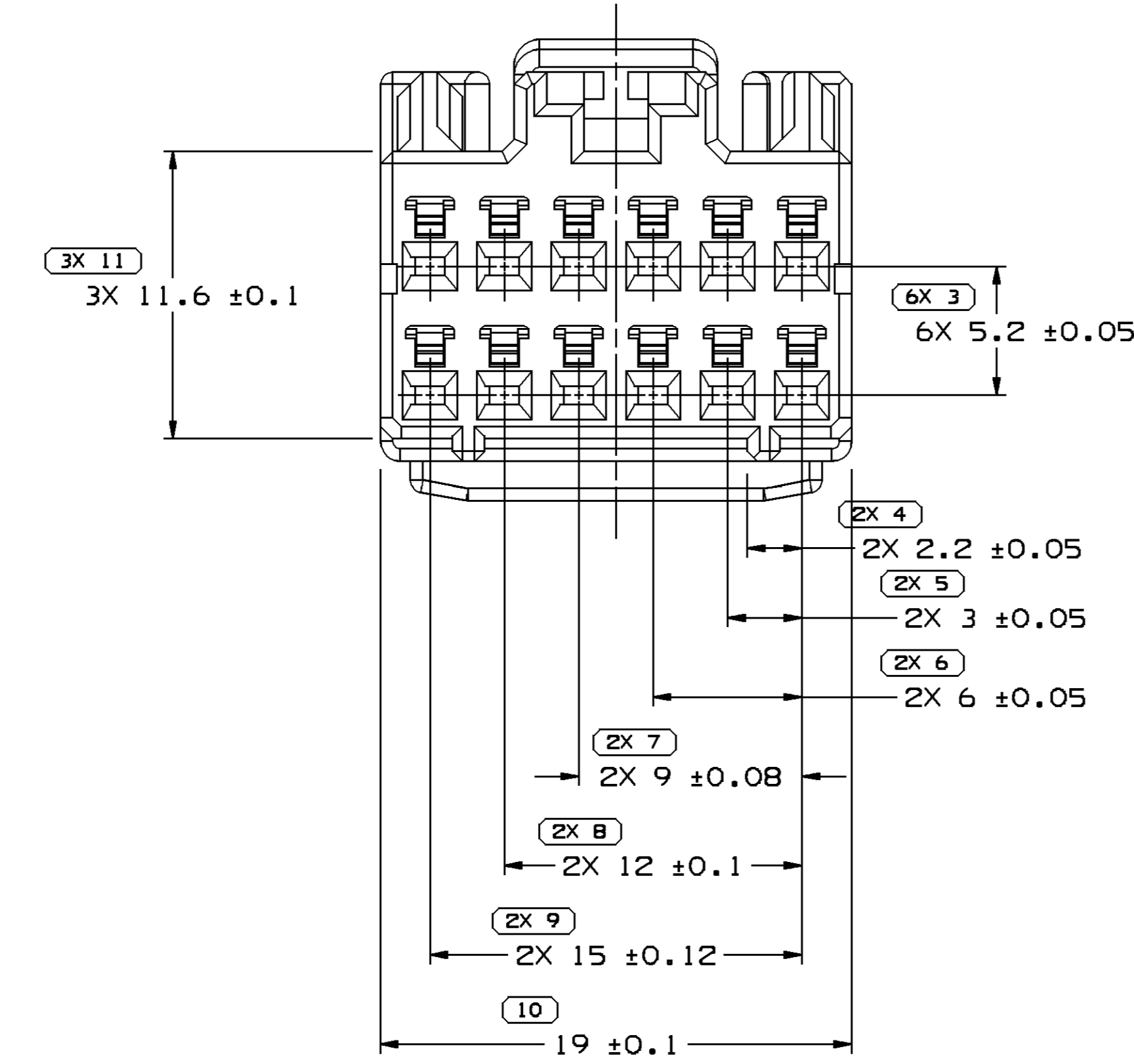
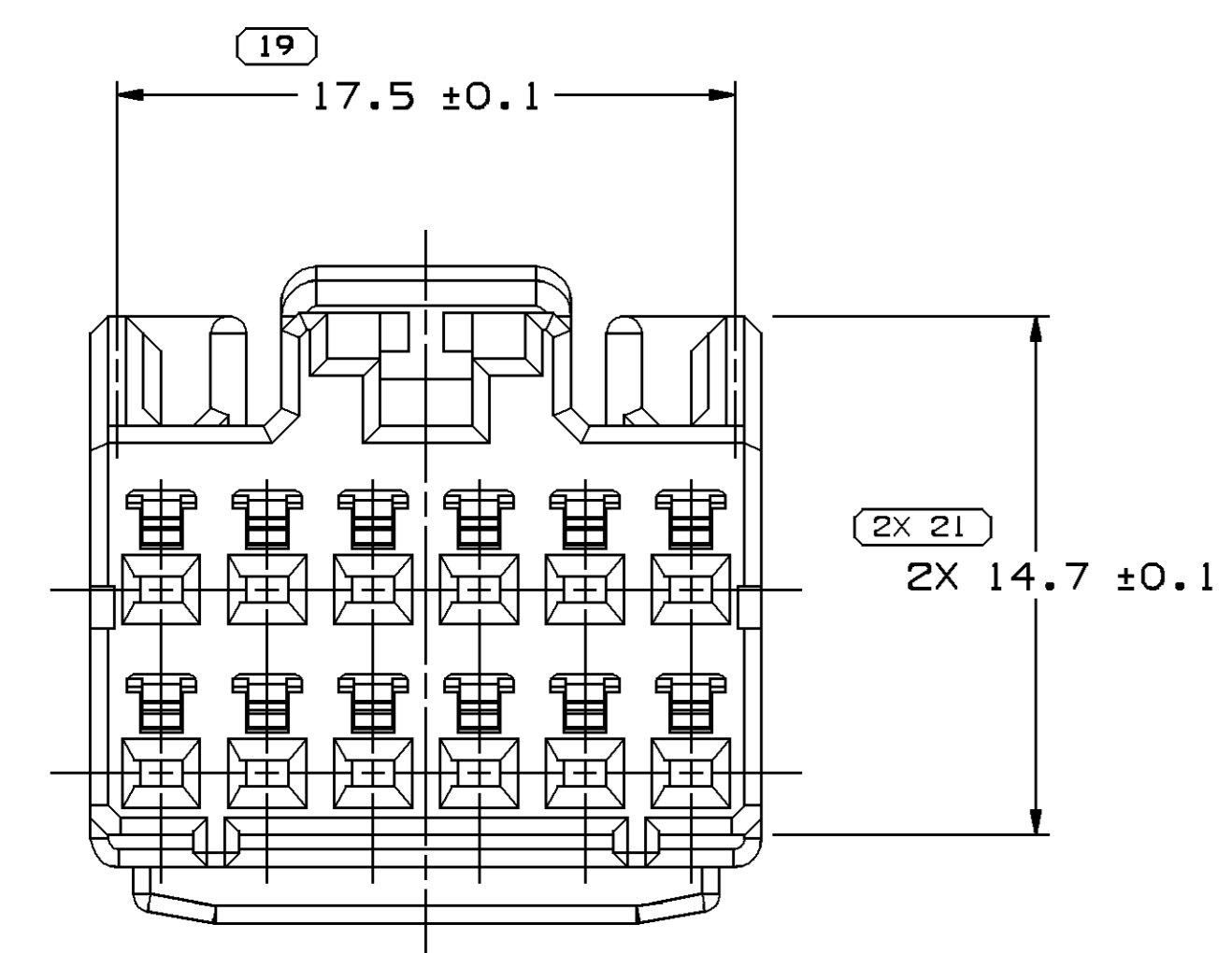
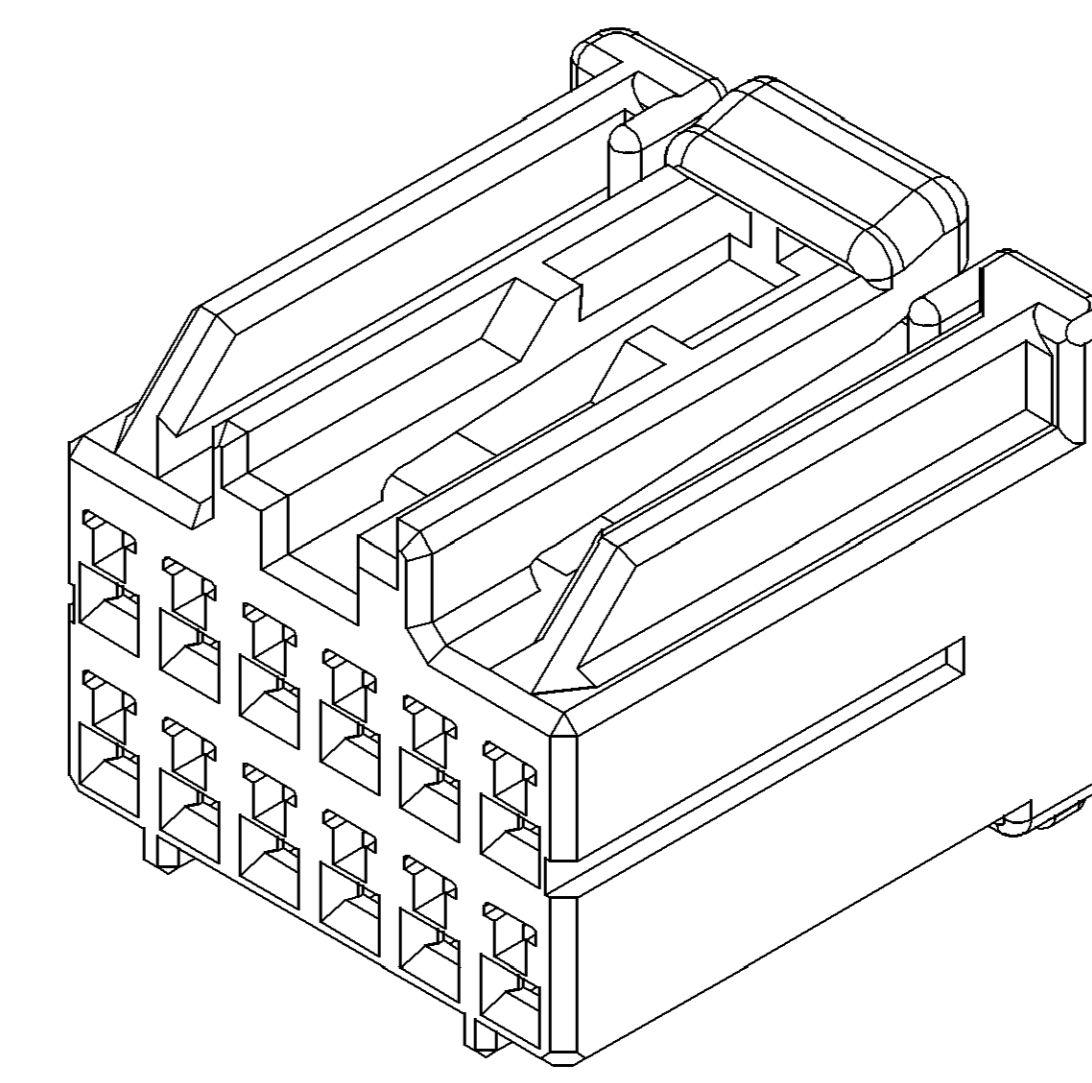
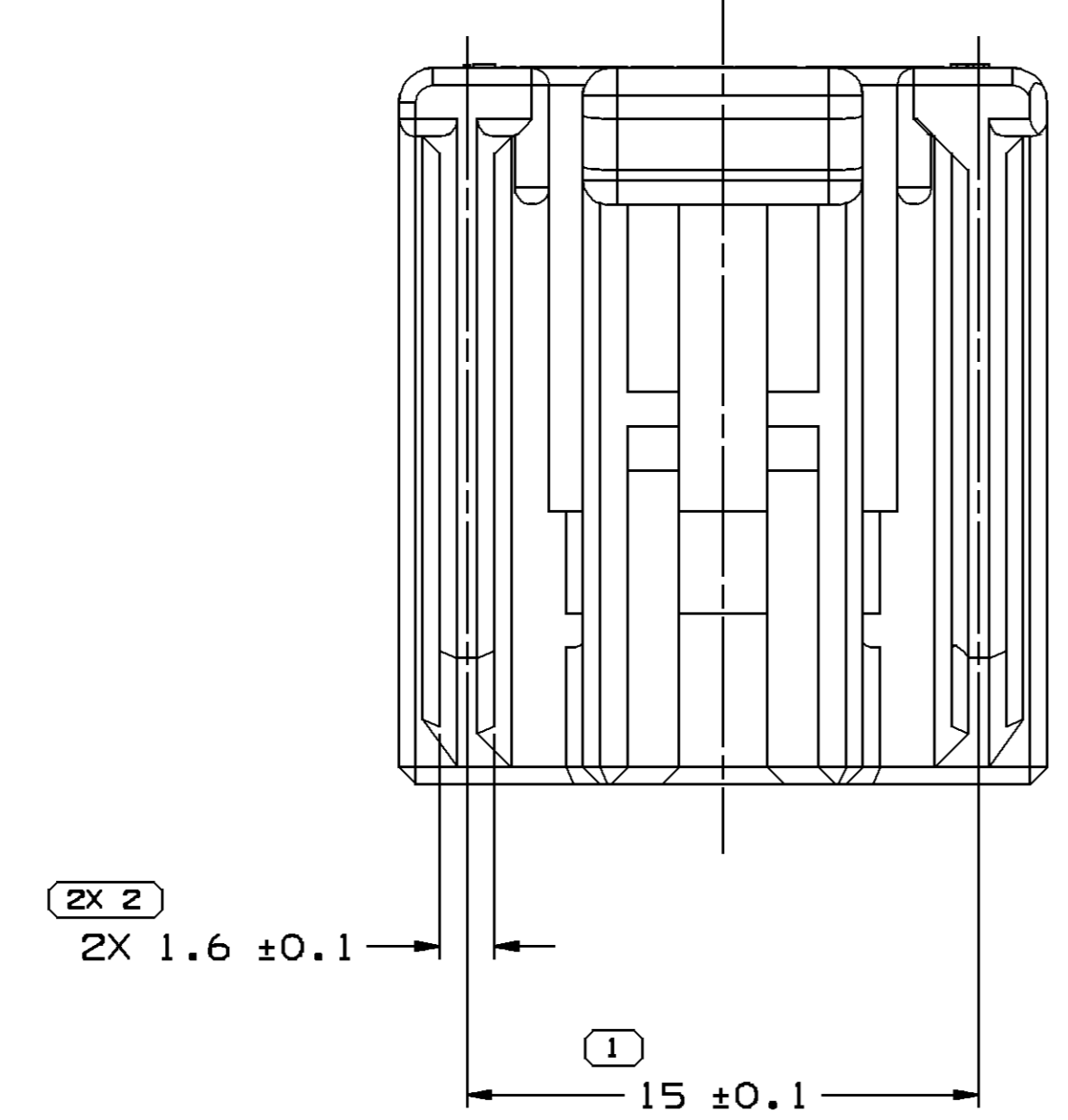
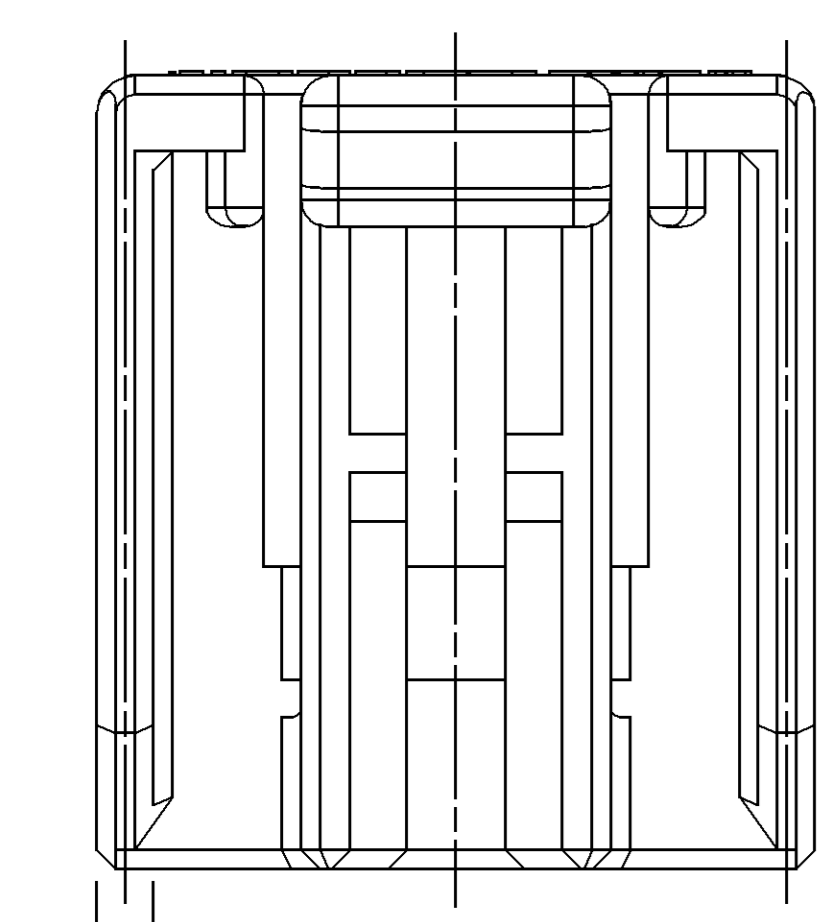


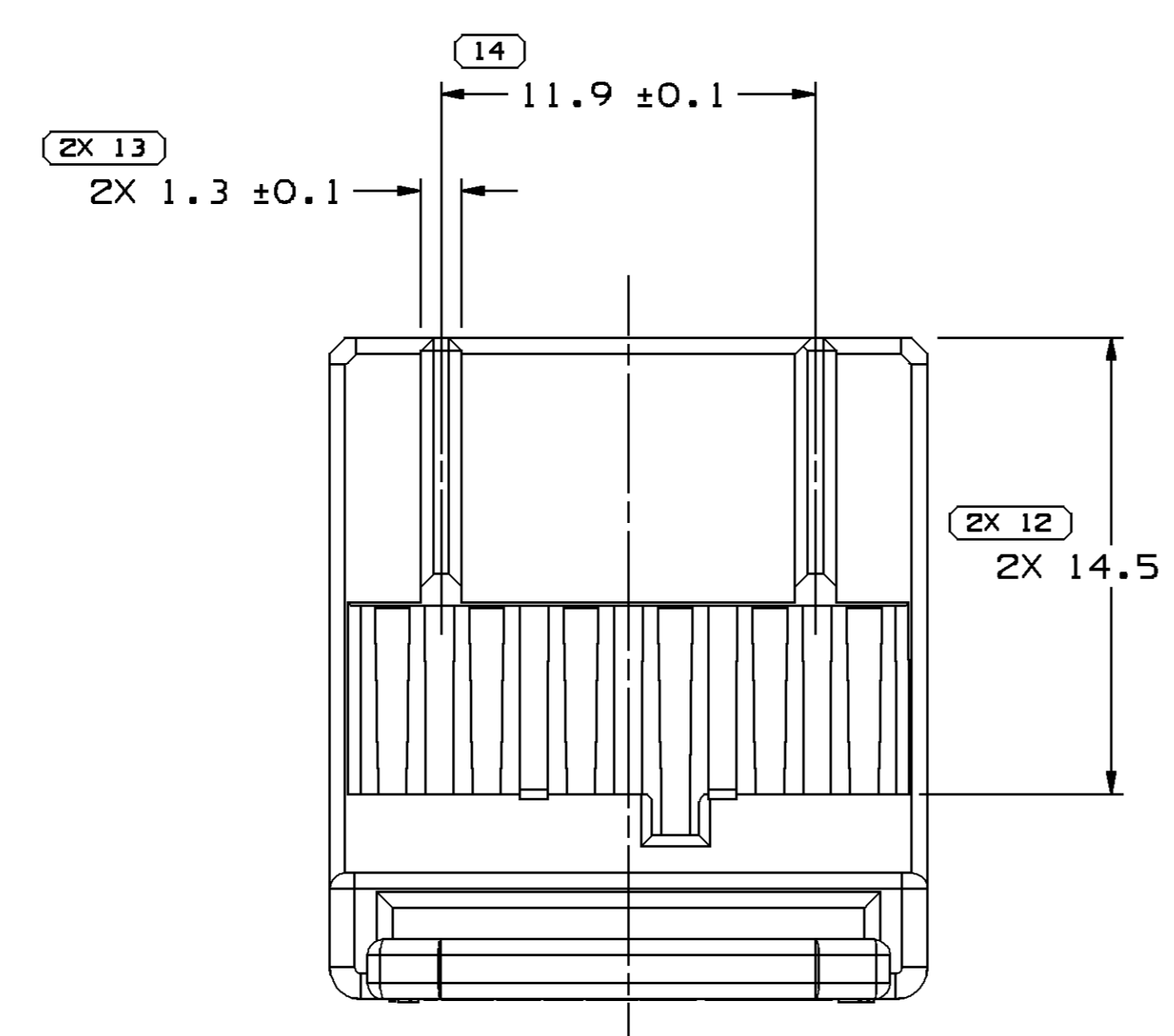
SYMBOL DEFINITION		TOTAL NO OF INSPECTIONS REQUIRED	MISSING SYMBOLS
A DIMENSION WITHOUT AN INSPECTION REPORT SYMBOL DOES NOT REQUIRE INSPECTION. IT MAY BE CONTROLLED ON THE INDIVIDUAL COMPONENT DRAWING.		41	NO MISSING SYMBOL NUMBER
LAST NO. USED		21	

DWG STATUS				REVISION HISTORY		AUTH	DR	AP/VD	AP/VD
DATE	STG	REV	N/P	CHG	ZONE				
17JL06	R	01	-	-		ALL PARTS - RELEASED	282674	EFS	FKV LJM
26FE07	R	02	-	-		ALL PARTS - REVISED GRAPHICS	400615	HCB	JVM LJM
19AP07	R	03	-	-		ALL PARTS - UPDATED PDM ATTRIBUTES	401027	PCP	PCP LJM



TYPE 102
SAME AS TYPE 101
EXCEPT AS SHOWN

TYPE 101



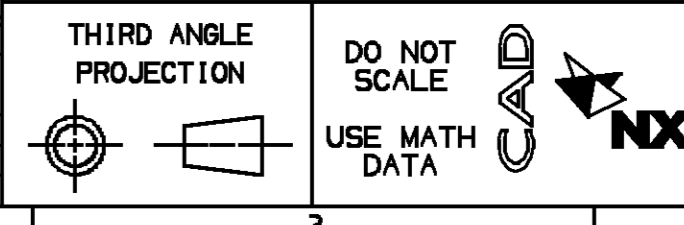
NOTES

- UNLESS OTHERWISE SPECIFIED AND/OR INDICATED: DIMENSIONS ARE TO FACE OF VIEW SHOWN AND AUTOMATICALLY ROUNDED BY COMPUTER FOR INSPECTION (SEE MATH MODEL FOR PRECISE DIMENSIONS). FOR ALL OTHER DIMENSIONS NOT SHOWN BUT REQUIRED FOR TOOL BUILD, SEE MATH MODEL FOR PRECISE TOOL PATH DATA.
- THESE PARTS USED IN ASSEMBLIES: (SEE CHART).
- MATERIAL RECYCLING CODE PER ISO 11469. (0.91X(0.1) RAISED CHARACTERS AS SHOWN TO BE LOCATED ON ANY EXTERIOR SURFACE. OPTIONAL CONSTRUCTION TO BE NO MATERIAL RECYCLING CODE.
- THESE PARTS ACCEPT THE FOLLOWING COMPONENTS OR EQUIVALENT: TERMINAL 15443788 TPA (SEE CHART)
- (0.91X(0.1) RAISED DELPHI CORPORATE BRAND TO BE LOCATED ON ANY EXTERIOR SURFACE, PREFERABLY VISIBLE AT FINAL ASSEMBLY. OPTIONAL CONSTRUCTION TO BE "PED" OR NO LOGO.
- MINIMUM EXTRACTION FORCE OF A TERMINAL ≥ 40N.

PART DRAWING	
STYLE	SEE CHART
VOLUME (CM³)	0.834
DISTR CODE	D

UNLESS OTHERWISE SPECIFIED THIS DOCUMENT IS IN ACCORDANCE WITH ASME Y14.5M-1994 AS AMENDED BY THE 2003 DIMENSIONING AND TOLERANCE PRACTICE (ASME Y14.5M-2003). ALL DIMENSIONS UNLESS OTHERWISE SPECIFIED ARE IN MILLIMETERS. DIMENSIONS NOT SHOWN BUT REQUIRED FOR TOOL BUILD, SEE MATH MODEL FOR PRECISE TOOL PATH DATA. SEPARATE POSITION CALLOUTS MAY BE SHOWN SEPARATELY, REGARDLESS OF DATUM REFERENCE. ALL DIMENSIONS ARE IN MILLIMETERS.

PROCESS SENSITIVE DIMENSION	
DIMENSIONS ENCLOSED IN () INDICATE REFERENCE DIMENSIONS AND NO TOLERANCE LIMITS ARE ESTABLISHED	
DIMENSIONAL RANGE: DIM	CHART F
FROM 0 TO 10	> 10
TOLERANCE UNLESS OTHERWISE SPECIFIED	
±0.15	±0.2
ANGULAR TOLERANCE ±1°	



DELPHI
DELPHI PACKARD ELECTRICAL/ELECTRONIC ARCHITECTURE
NAPER, OH

DR	DATE
APV01 ENRIQUE FUENTES	17JL06
APV02 FRANCISCO KOPCA	20JL06
APV03 LISA MCCLEARN	31JL06
APV04	
APV05	

MATERIAL: SUBSTANCES OF CONCERN AND RECYCLED CONTENT PER DELPHI 10949001

SEE CHART

DRAWING NAME: TAXI CONN 12 F MICRO 100A

DRAWING NUMBER: 13569749

SIZE: A0 SCALE: 5:1 FRGME NO: 1 OF 1 SHEET NO: 1 OF 1 REV: N/P

PART NO	REV	N/P	STATUS	MATERIAL SPECIFICATION AND COLOR	TYPE	VOLUME (CM³)	TPA	ASSEMBLY
13569636	03	-		M4695002 PBT BLK	102	2.834	15431370	15431368
13569637	03	-		M4695001 PBT NAT	101	2.852	15431367	15431365