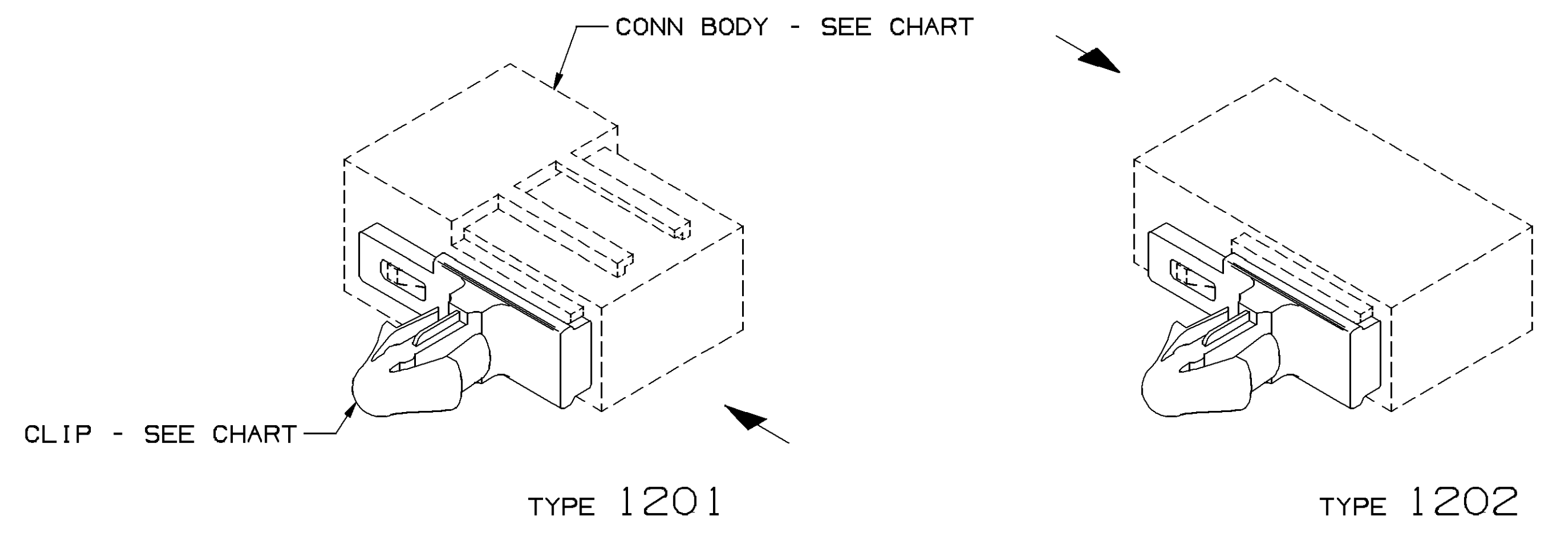
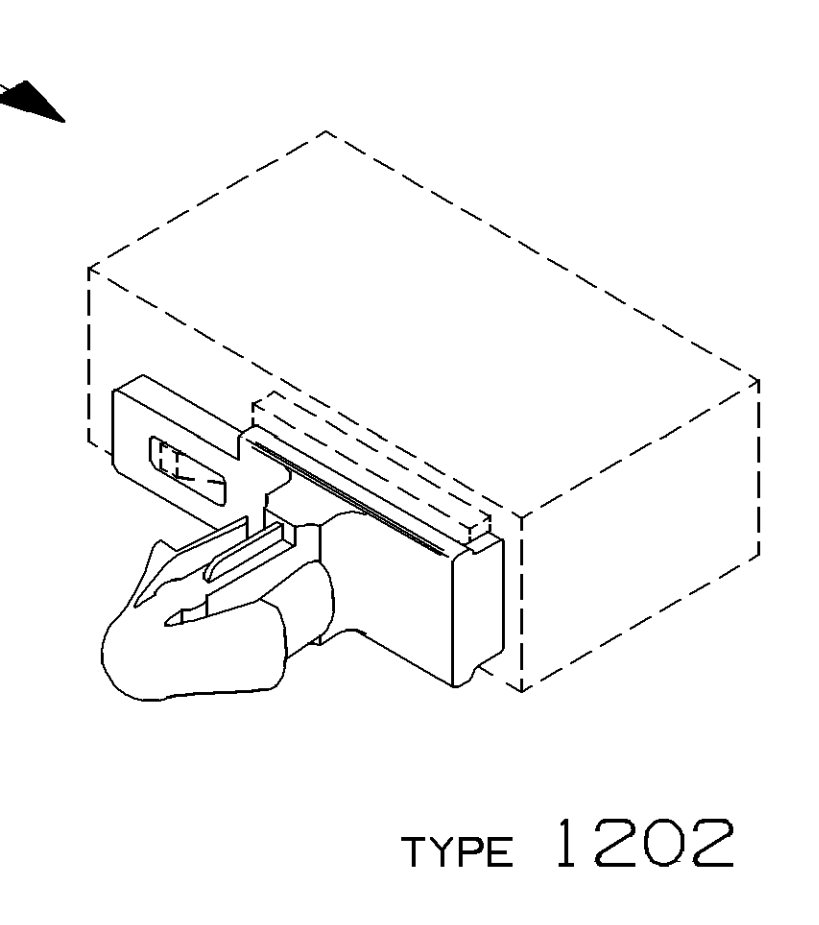


KEY PRODUCT CHARACTERISTICS				
SAFETY/COMPLIANCE	FIT/FUNCTION	TOTAL ON DRAWING	0	
S/C CHECKPOINTS	F/F CHECKPOINTS	LAST NO. USED	0	
NO & TYPE	DESCRIPTION	RATIONALE	PTS	ZONE

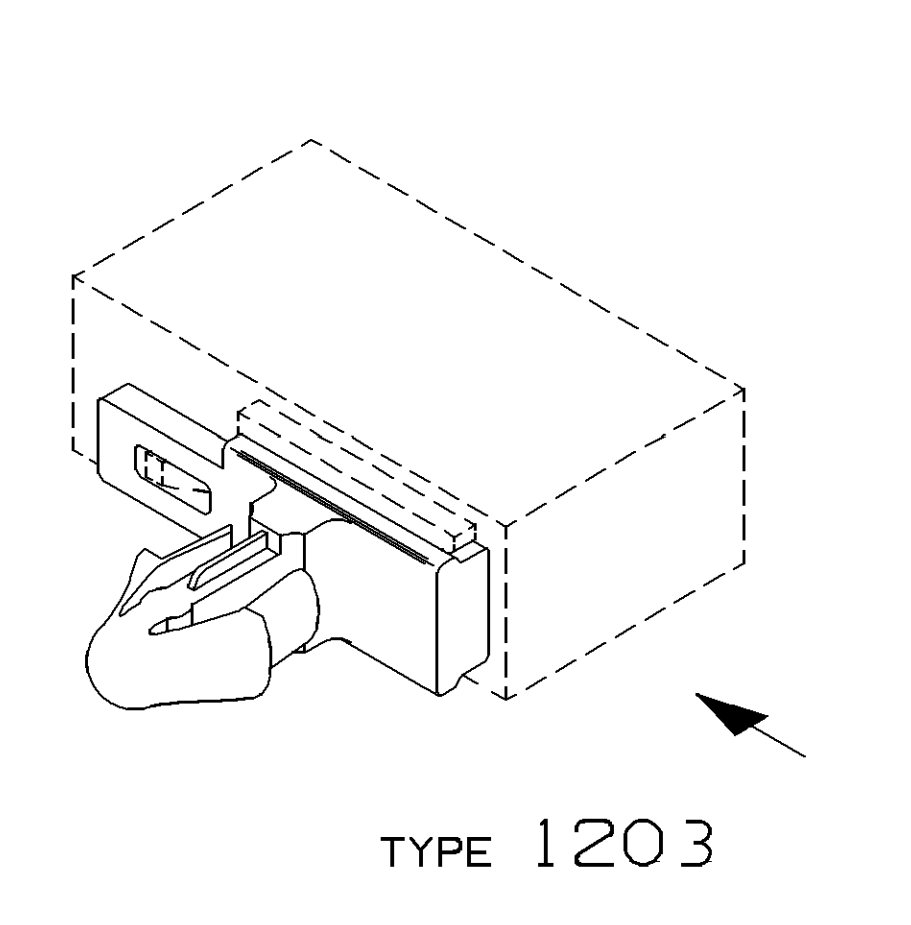
DWG STATUS					REVISION HISTORY			AUTH			
DATE	STG	REV	N/P	CHG	ZONE				DR	AP/D	AP/D
30AP02	R	03	-	-		CLEARED REVISION COLUMN 15429900 - RELEASED			222412	LEB	06E
22M102	R	04	-	-		15428665 - RELEASED			225345	EGR	06E
23AU02	R	05	-	-		15445231 - RELEASED			229613	EGR	06E
22JA03	R	06	-	-		15459380 - RELEASED			235845	RCH	06E
03AP03	R	07	-	-		15464275 - RELEASED			238689	JAN	JAN
130C03	R	08	-	-		15480835 - RELEASED			247253	FKV	FKV
11FE04	R	09	-	-		15488879 - RELEASED			251572	JFB	FKV
08SE05	R	10	-	-		13532552 - RELEASED			272272	0PS	AUG
09SE05	R	11	-	-		13540743 & 13540797 - RELEASED			272265	0PS	AUG
30SE05	R	12	-	-		13540743 & 13540797 - REMOVED			272956	RTV	AUG
14FE06	R	13	-	-		13573920 - RELEASED			277221	ACB	FKV



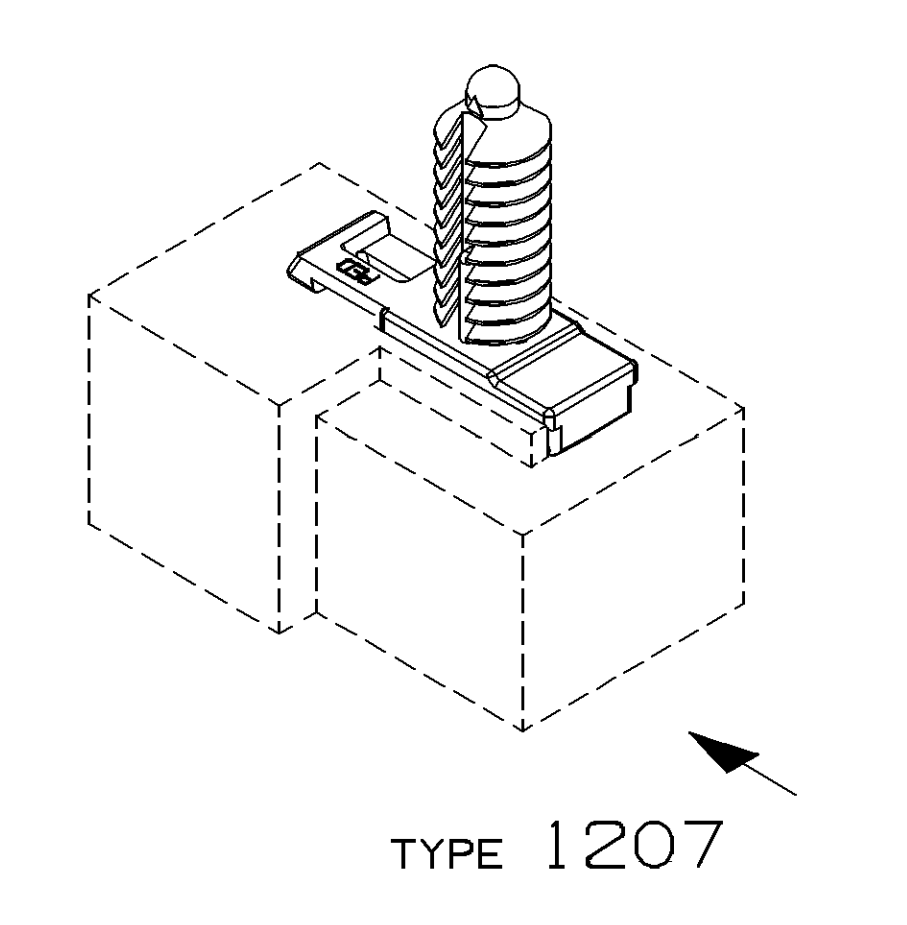
TYPE 1201



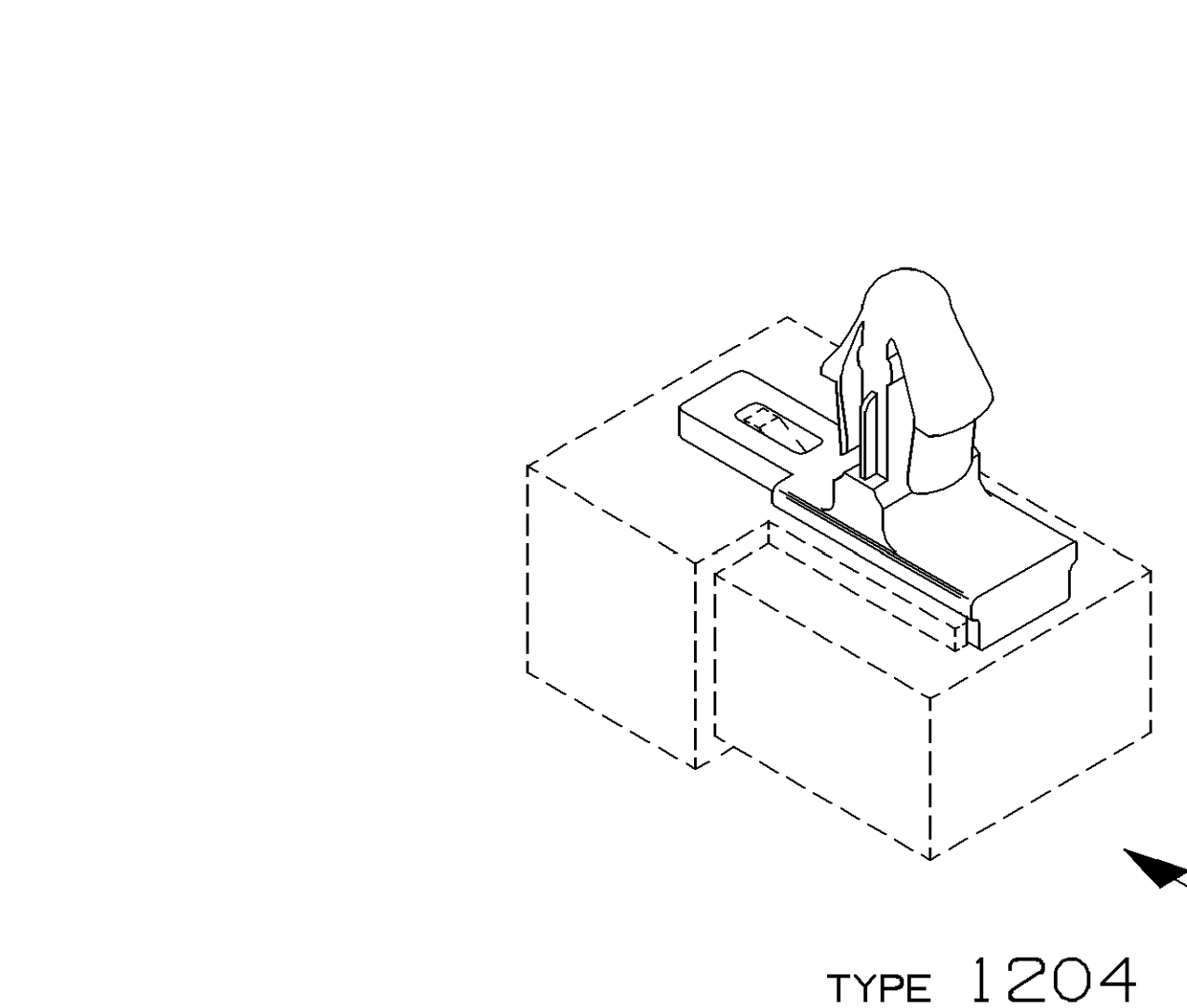
TYPE 1202



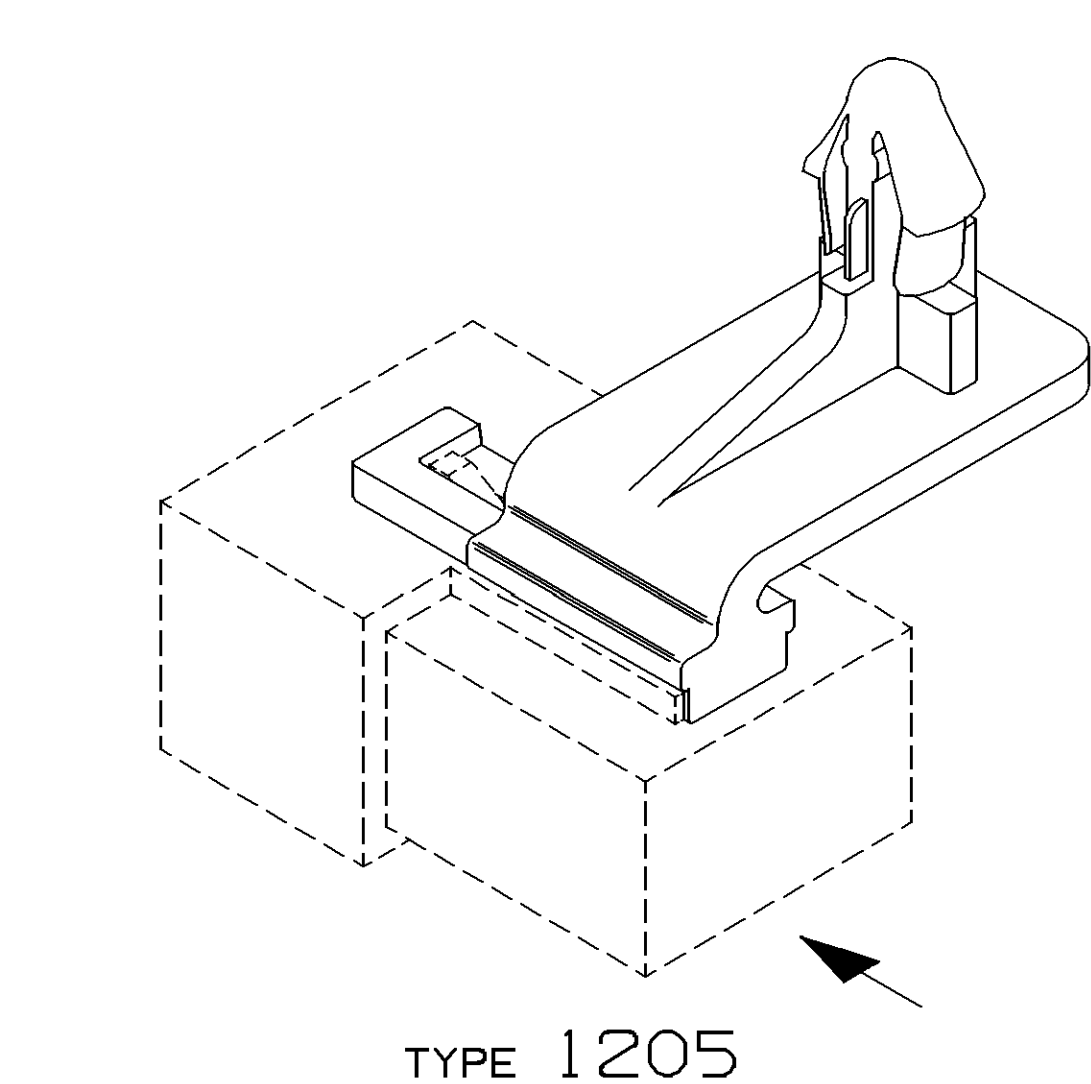
TYPE 1203



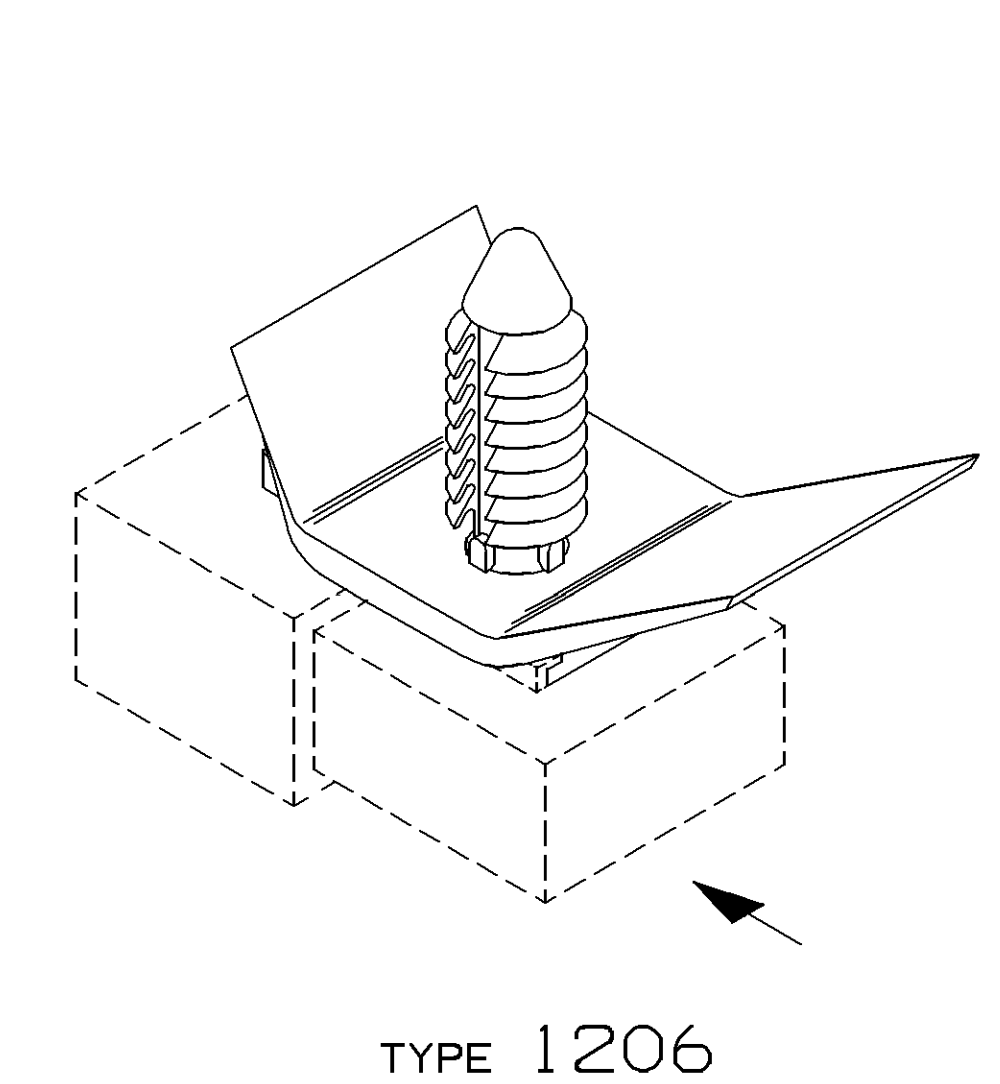
TYPE 1207



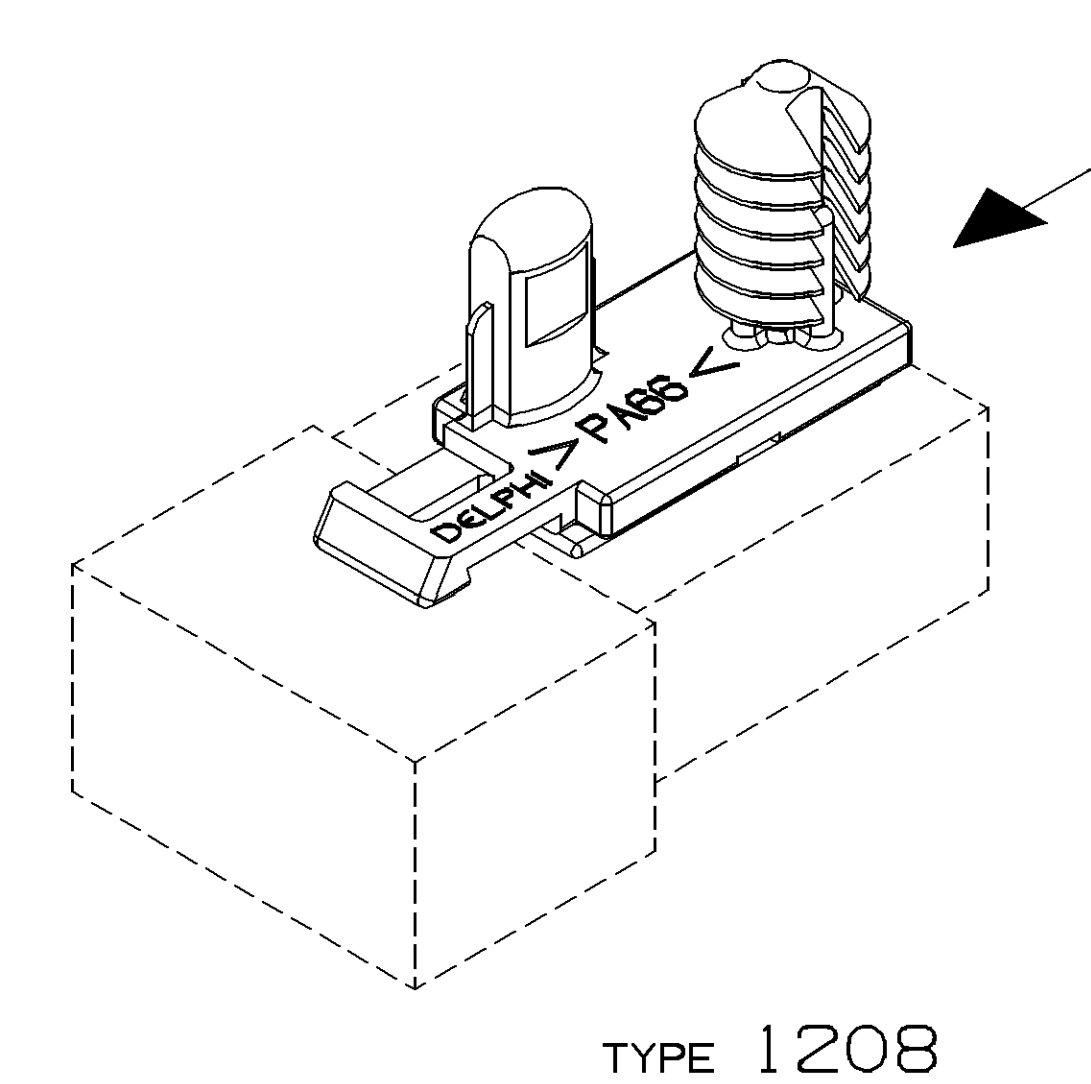
TYPE 1204



TYPE 1205



TYPE 1206



TYPE 1208

PART NO	REV	N/P	STATUS	CAVITY	CONN BODY	CLIP	TYPE	ASM NOTES	COLOR	SEALING CODE
13573920	01	-	-	16	15326956	13546725	1210	1,2	BLK	0
13532552	01	-	-	8	15326927	13531095	1209	1,2	BLK	0
15488879	01	-	-	16	15326955	15476537	1208	1,2	BLK	0
15480835	01	-	-	16	15326956	15476537	1208	1,2	BLK	0
15464275	01	-	-	2	12160795	12186353	1207	1,2	YEL	0
15459380	01	-	-	16	15326956	15326712	1208	1,2	BLK	0
15445231	01	-	-	16	15305132	15318012	1207	1,2	BLK	0
15428665	01	-	-	10	15332158	15326712	1208	1,2	BLK	3
15429900	01	-	-	2	15433700	12186353	1207	1,2	BLK	3
26092266	01	AA	OBSOLETE	2	12162000	12110290	1204	1,2	BLK	0
15369280	A	-	-	16	12129427	12110783	1206	1,2	BLK	0
12129697	A	-	OBSOLETE	4	12129135	12084149	1204	1,2	BLK	0
12129399	A	-	OBSOLETE	15	12110781	12084149	1204	1,2	BLK	3
12129360	A	-	OBSOLETE	3	12084327	12110341	1203	1,2	YEL	0
12129200	A	-	OBSOLETE	4	12162102	12084149	1204	1,3	BLK	3
12110784	A	-	OBSOLETE	15	12110781	12110783	1206	1,2	BLK	3
12110755	A	-	OBSOLETE	7	12110753	12110783	1206	1,2	BLK	3
12110518	A	-	OBSOLETE	23	12092248	12110517	1205	1,2	BLK	0
12110458	A	-	OBSOLETE	4	12110384	12084149	1201	1,2	YEL	3
12110049	A	-	OBSOLETE	6	12110047	12084149	1203	1,2	BLK	0
12092836	A	-	OBSOLETE	4	12092735	12084149	1201	1,2	YEL	3
12092835	A	-	OBSOLETE	4	12092734	12084149	1201	1,2	YEL	3
12085000	A	-	OBSOLETE	3	12084991	12084149	1201	1,2	YEL	3
12084764	A	-	OBSOLETE	3	12084762	12084149	1201	1,2	YEL	0
12084761	A	-	OBSOLETE	3	12084759	12084149	1201	1,2	YEL	0
12084758	A	-	OBSOLETE	3	12084756	12084149	1201	1,2	YEL	0
12084755	A	-	OBSOLETE	3	12084753	12084149	1201	1,2	YEL	0
12084752	A	-	OBSOLETE	3	12084750	12084149	1201	1,2	YEL	0
12084749	A	-	OBSOLETE	3	12084747	12084149	1201	1,2	YEL	0
12084746	A	-	OBSOLETE	3	12084744	12084149	1201	1,2	YEL	0
12084743	A	-	OBSOLETE	3	12084741	12084149	1201	1,2	YEL	0
12084740	A	-	OBSOLETE	3	12084738	12084149	1201	1,2	YEL	0
12084737	A	-	OBSOLETE	3	12084735	12084149	1201	1,2	YEL	0
12084734	A	-	OBSOLETE	3	12084732	12084149	1201	1,2	YEL	0
12084731	A	-	OBSOLETE	3	12084729	12084149	1201	1,2	YEL	0
12084728	A	-	OBSOLETE	3	12084726	12084149	1201	1,2	YEL	0
12084725	A	-	OBSOLETE	3	12084723	12084149	1201	1,2	YEL	0
12084722	A	-	OBSOLETE	3	12084720	12084149	1201	1,2	YEL	0
12084719	A	-	OBSOLETE	3	12084717	12084149	1201	1,2	YEL	0
12084716	A	-	OBSOLETE	3	12084714	12084149	1201	1,2	YEL	0
12084713	A	-	OBSOLETE	3	12084711	12084149	1201	1,2	YEL	0
12084710	A	-	OBSOLETE	3	12084708	12084149	1201	1,2	YEL	0
12084707	A	-	OBSOLETE	3	12084705	12084149	1201	1,2	YEL	0
12084704	A	-	OBSOLETE	3	12084702	12084149	1201	1,2	YEL	0
12084701	A	-	OBSOLETE	3	12084699	12084149	1201	1,2	YEL	0
12084698	A	-	OBSOLETE	3	12084696	12084149	1201	1,2	YEL	0
12084695	A	-	OBSOLETE	3	12084693	12084149	1201	1,2	YEL	0
12084692	A	-	OBSOLETE	3	12084690	12084149	1201	1,2	YEL	0
12084689	A	-	OBSOLETE	3	12084687	12084149	1201	1,2	YEL	0
12084686	A	-	OBSOLETE	3	12084684	12084149	1201	1,2	YEL	0
12084683	A	-	OBSOLETE	3	12084681	12084149	1201	1,2	YEL	0
12084680	A	-	OBSOLETE	3	12084678	12084149	1201	1,2	YEL	0
12084677	A	-	OBSOLETE	3	12084675	12084149	1201	1,2	YEL	0
12084674	A	-	OBSOLETE	3	12084672	12084149	1201	1,2	YEL	0
12084671	A	-	OBSOLETE	3	12084669	12084149	1201	1,2	YEL	0
12084668	A	-	OBSOLETE	3	12084666	12084149	1201	1,2	YEL	0
12084665	A	-	OBSOLETE	3	12084663	12084149	1201	1,2	YEL	0
12084662	A	-	OBSOLETE	3	12084660	12084149	1201	1,2	YEL	0
12084659	A	-	OBSOLETE	3	12084657	12084149	1201	1,2	YEL	0
12084656	A	-	OBSOLETE	3	12084654	12084149	1201	1,2	YEL	0
12084653	A	-	OBSOLETE	3	12084651	12084149	1201	1,2	YEL	0
12084650	A	-	OBSOLETE	3	12084648	12084149	1201	1,2	YEL	0
12084647	A	-	OBSOLETE	3	12084645	12084149	1201	1,2	YEL	0
12084644	A	-	OBSOLETE	3	12084642	12084149	1201	1,2	YEL	0
12084641	A	-	OBSOLETE	3	12084639	12084149	1201	1,2	YEL	0
12084638	A	-	OBSOLETE	3	12084636	12084149	1201	1,2	YEL	0
12084635	A	-	OBSOLETE	3	12084633	12084149	1201	1,2	YEL	0
12084632	A	-	OBSOLETE	2	12084630	12084149	1201	1,2	YEL	3
12084629	A	-	OBSOLETE	2	12084627	12084149	1201	1,2	YEL	3
12084626	A	-	OBSOLETE	2	12084624	12084149	1201	1,2	YEL	3
12084623	A	-	OBSOLETE	2	12084621	12084149	1201	1,2	YEL	3
12084620	A	-	OBSOLETE	2	12084618	12084149	1201	1,2	YEL	3
12084617	A	-	OBSOLETE	2	12084615	12084149	1201	1,2	YEL	3
12084614	A	-	OBSOLETE	2	12084612	12084149	1201	1,2	YEL	3
12084611	A	-	OBSOLETE	2	12084609	12084149	1201	1,2	YEL	3
12084608	A	-	OBSOLETE	2	12084606	12084149	1201	1,2	YEL	3
12084605	A	-	OBSOLETE	2	12084603	12084149	1201	1,2	YEL	3
12084602	A	-	OBSOLETE	2	12084600	12084149	1201	1,2	YEL	3
12084599	A	-	OBSOLETE	2	12084597	12084149	1201	1,2	YEL	3
12084596	A	-	OBSOLETE	2	12084594	12084149	1201	1,2	YEL	3
12084593	A	-	OBSOLETE	2	12084591	12084149	1201	1,2	YEL	3
12084590	A	-	OBSOLETE	2	12084588	12084149	1201	1,2	YEL	3
12084587	A	-	OBSOLETE	2	12084585	12084149	1201	1,2	YEL	3
12084584	A	-	OBSOLETE	2	12084582	12084149	1201	1,2	YEL	3
12084581	A	-	OBSOLETE	2	12084579	12084149	1201	1,2	YEL	3
12084578	A	-	OBSOLETE	2	12084576	12084149	1201	1,2	YEL	3
12084575	A	-	OBSOLETE	2	12084573	12084149	1201	1,2	YEL	3
12084572	A	-	OBSOLETE	2	12084570	12084149	1201	1,2	YEL	3
12084569	A	-	OBSOLETE	2	12084567	12084149	1201	1,2	YEL	3
12084566	A	-	OBSOLETE	2	12084564	12084149	1201	1,2	YEL	3
12084563	A	-	OBSOLETE	2	12084561	12084149	1201	1,2	YEL	3
12084560	A	-	OBSOLETE	2	12084558	12084149	1201	1,2	YEL	3
12084557	A	-	OBSOLETE	2	12084555	12084149	1201	1,2	YEL	3
12084554	A	-	OBSOLETE	2	12084552	12084149	1201	1,2	YEL	3
12084551	A	-	OBSOLETE	2	12084549	12084149	1201	1,2	YEL	3
12084548	A	-	OBSOLETE	2	12084546	12084149	1201	1,2	YEL	3
12084545	A	-	OBSOLETE	2	12084543	12084149	1201	1,2	YEL	3
12084542	A	-	OBSOLETE	2	12084540	12084149	1201	1,2	YEL	3
12084539	A	-	OBSOLETE	2	12084537	12084149	1201	1,2	YEL	3
12084536	A	-	OBSOLETE	2	12084534	12084149	1201	1,2	YEL	3
12084533	A	-	OBSOLETE	2	12084531	12084149	1201	1,2	YEL	3
12084530	A	-	OBSOLETE	2	12084528	12084149	1201	1,2	YEL	