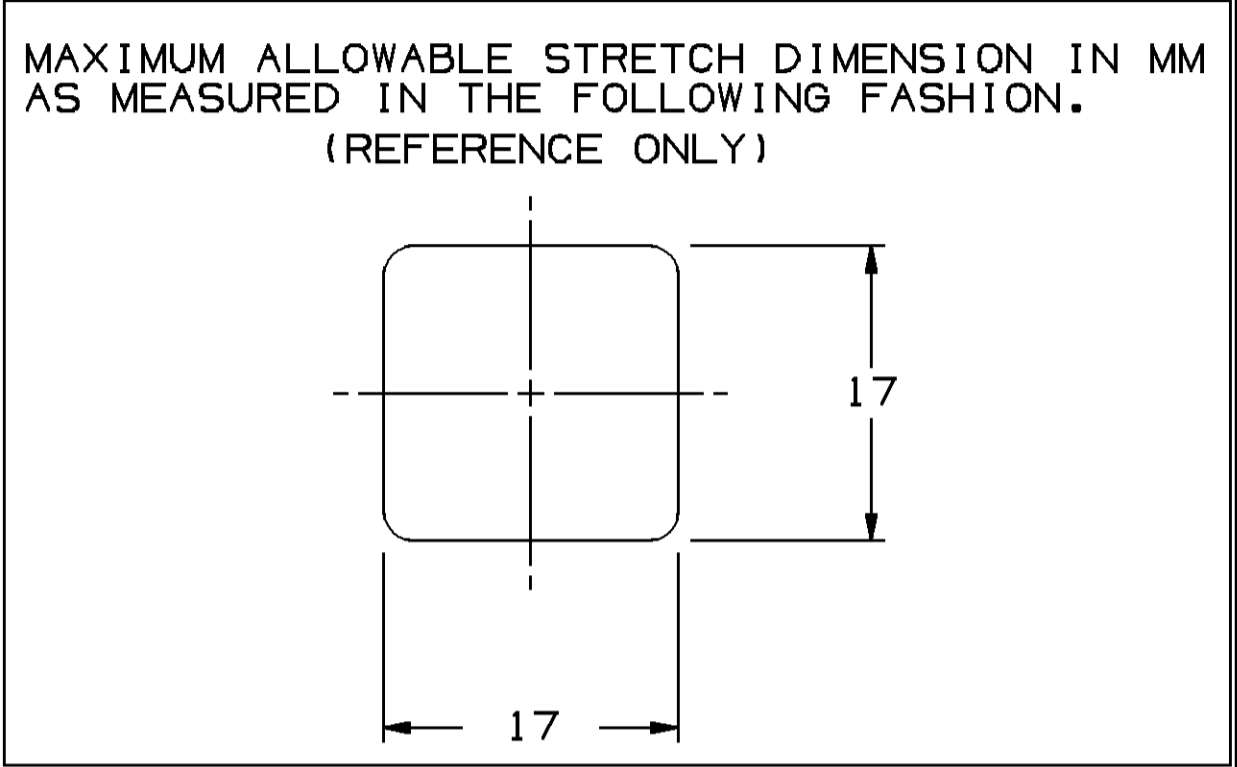
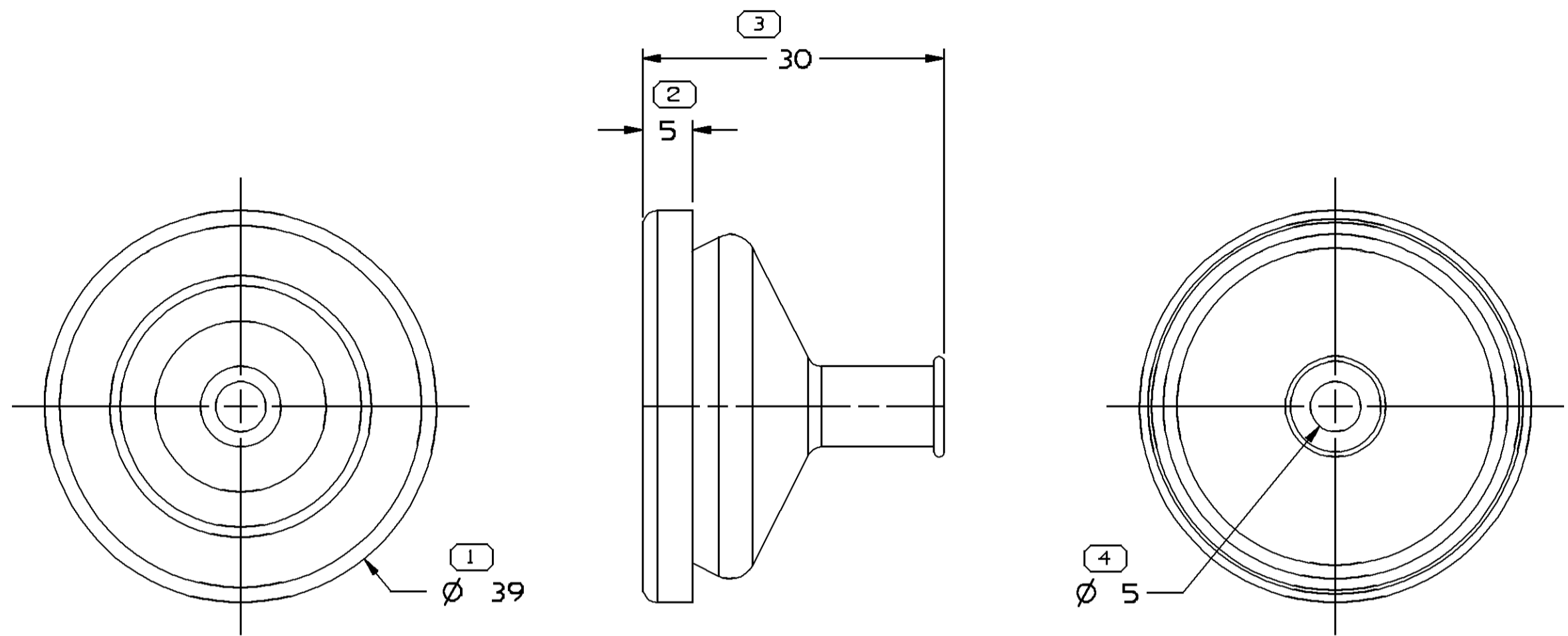


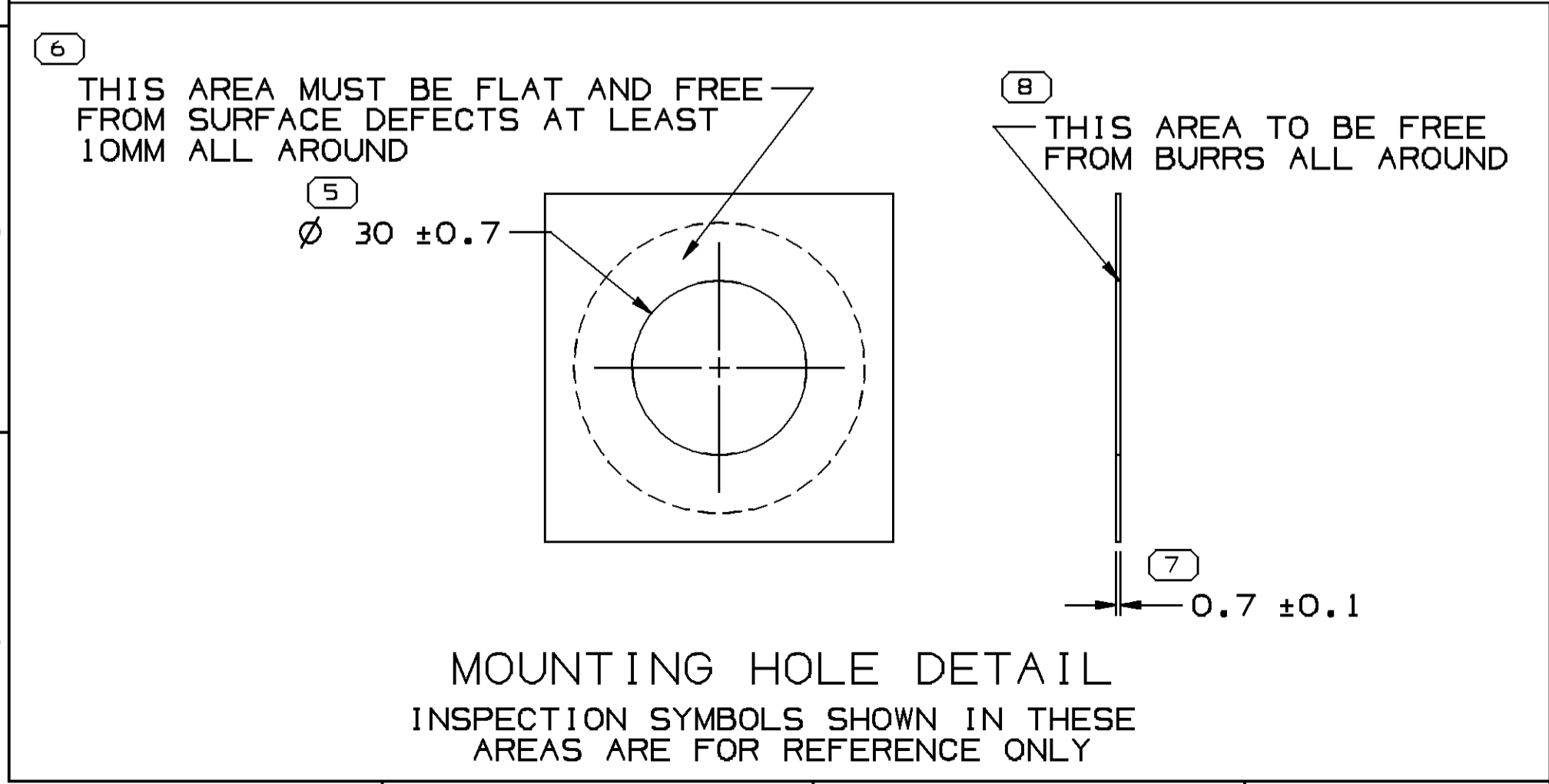
SYMBOL DEFINITION		
A DIMENSION WITHOUT AN INSPECTION REPORT SYMBOL ( ) DOES NOT REQUIRE INSPECTION. IT MAY BE CONTROLLED ON THE INDIVIDUAL COMPONENT DRAWING.	TOTAL NO OF INSPECTIONS REQUIRED	8
	LAST NO. USED	8

MISSING SYMBOLS	
NO MISSING SYMBOL NUMBER	

DWG STATUS					ZONE	REVISION HISTORY				AUTH	DR	APVD 1	APVD 2
DATE	STG	REV	N/P	CHG									
09MR06	R	01	-	-	-	WAS PE130894 AND RELEASED				278342	DS	DS	DS
02MY06	R	02	-	-		UPDATED PDM ATTRIBUTES				280118	MAC	MAC	DS
08JN06	R	02	AA	-		UPDATED PDM ATTRIBUTES				280597	EES	EES	DS



- NOTES
- UNLESS OTHERWISE SPECIFIED AND/OR INDICATED:  
DIMENSIONS ARE TO FACE OF VIEW SHOWN AND AUTOMATICALLY ROUNDED BY COMPUTER FOR INSPECTION (SEE MATH MODEL FOR PRECISE DIMENSIONS). FOR ALL OTHER DIMENSIONS NOT SHOWN BUT REQUIRED FOR TOOL BUILD, SEE MATH MODEL FOR PRECISE TOOL PATH DATA.
  - THIS PART IS NOT CONTROLLED FOR AUTOMATIC FEEDING.
  - PART IS SYMMETRICAL ABOUT CENTERLINES EXCEPT AS NOTED.
  - SEALING SURFACES MUST BE FREE OF SINKS, NFO'S, VOIDS, KNIT/FLOW LINES, ETC.



DIMENSIONAL RANGE (MM)				CHART	C
FROM	> 0	> 25	> 60	> 80	
TO	25	60	80		
TOLERANCE UNLESS OTHERWISE SPECIFIED					
	±0.3	±0.5	±0.6	±0.75%	
ANGULAR TOLERANCE ±2°					

DWG TYPE: PART DRAWING

STYLE:

VOLUME (CM<sup>3</sup>): 7.258

DISTR CODE: D

UNLESS OTHERWISE SPECIFIED  
THIS DOCUMENT IS IN ACCORDANCE WITH ASME Y14.5M-1994 AS AMENDED BY THE GM GLOBAL DIMENSIONING AND TOLERANCING ADDENDUM-2001. SEPARATE PATTERNS OF FEATURES MAY BE GAGED SEPARATELY REGARDLESS OF DATUM REFERENCES.

ALL DIMENSIONS ARE IN MILLIMETERS

REFERENCE:

THIRD ANGLE PROJECTION

DO NOT SCALE  
USE MATH DATA

**DELPHI**

DELPHI PACKARD ELECTRIC SYSTEMS  
WARREN, OH

DR	DATE
APVD1 JOE SUDIK	20SE04
APVD2 JOE SUDIK	20SE04
APVD3 DALE SMUTNY	09MR06
APVD4	
APVD5	

SUBSTANCES OF CONCERN AND RECYCLED CONTENT PER DELPHI 10949001

MATERIAL: M4525002

DRAWING NAME: GROM TAPE ON

DRAWING NUMBER: 13575693

SIZE	SCALE	FRAME NO	SHEET NO	STG	REV	N/P
A2	2:1	1 OF 1	1 OF 1	R	02	AA