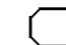
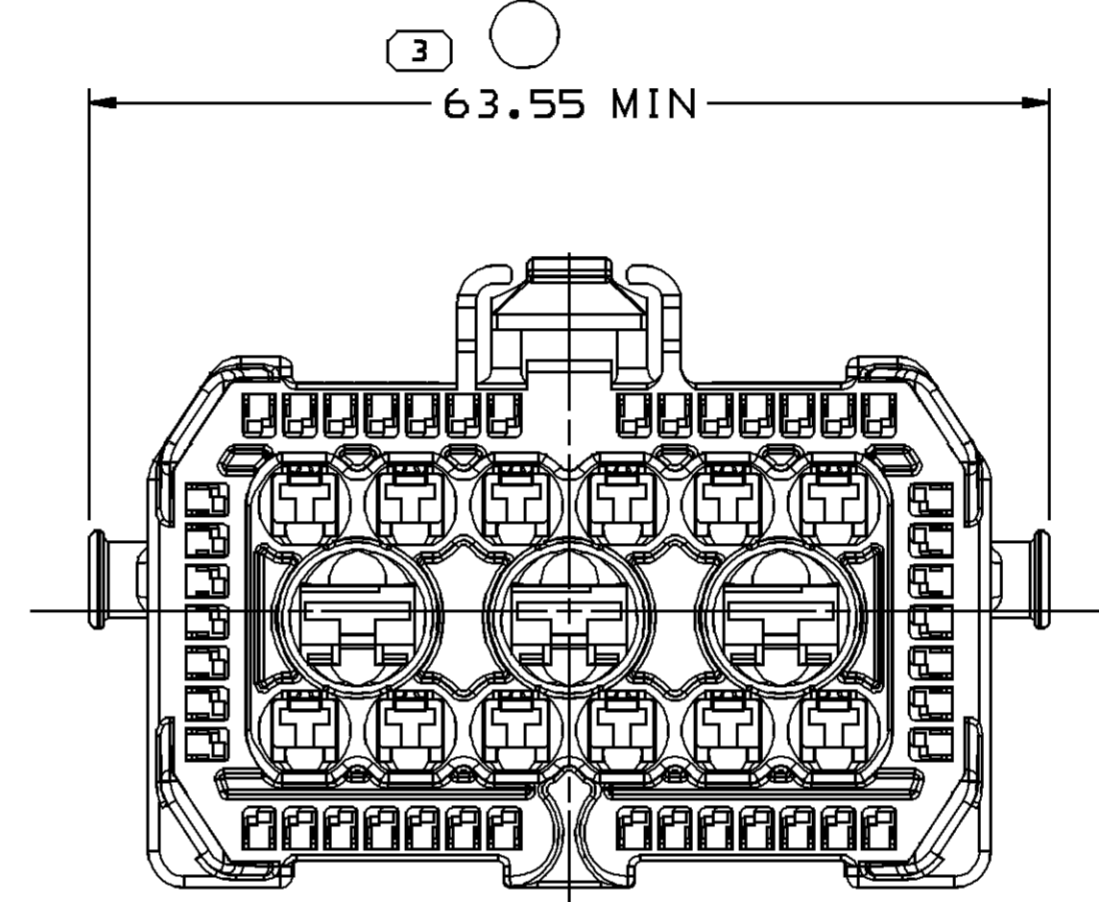
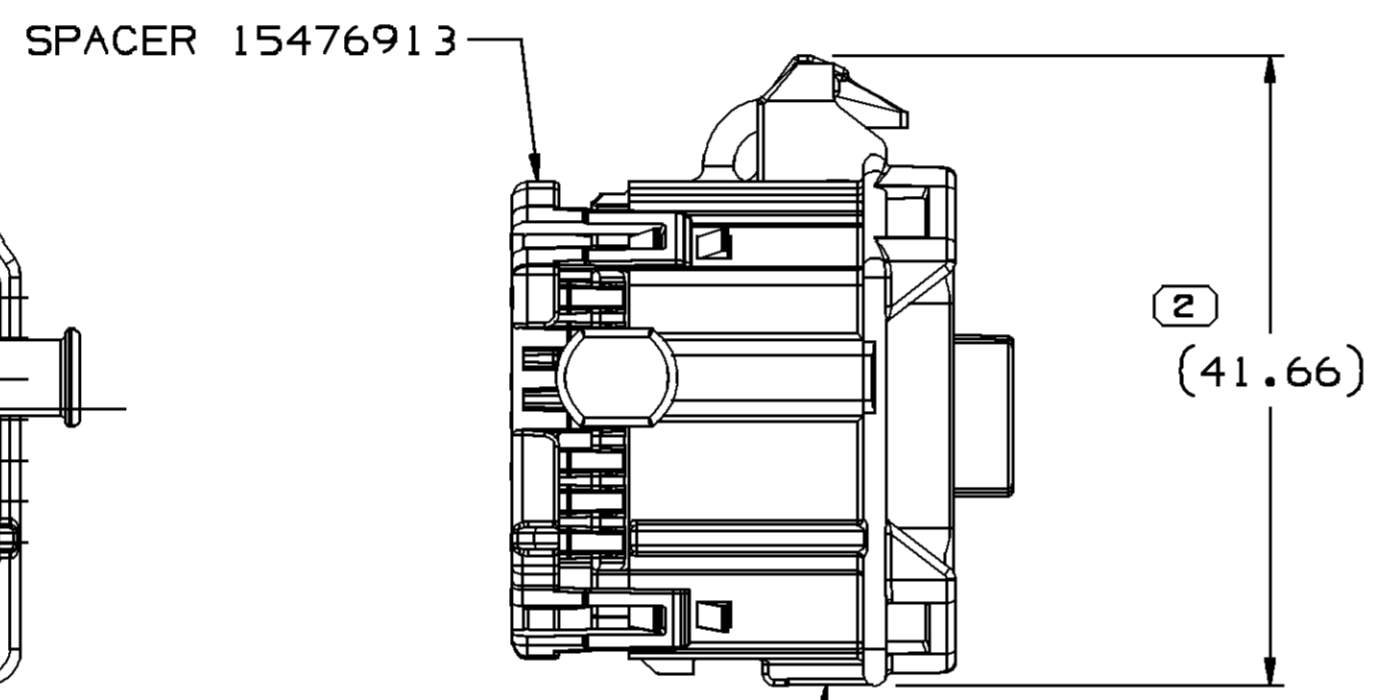
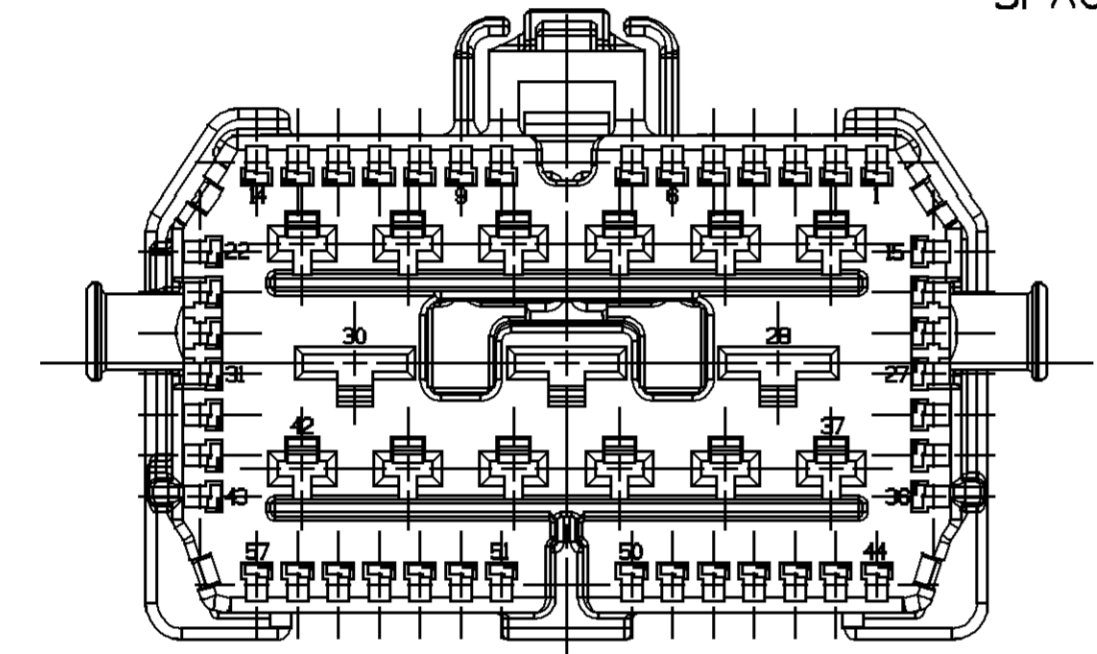
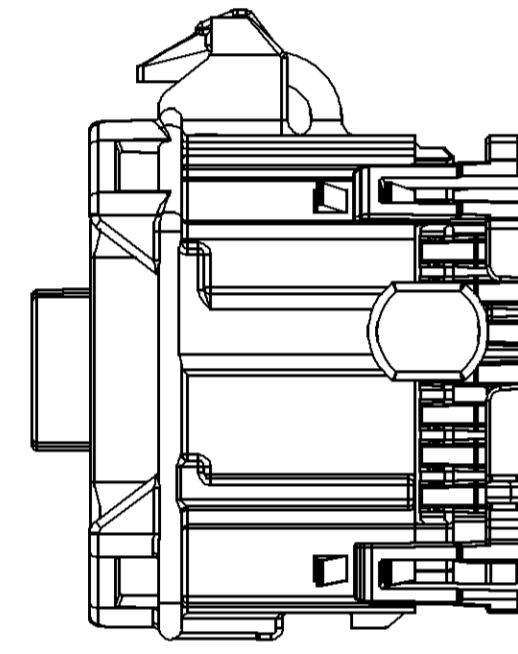
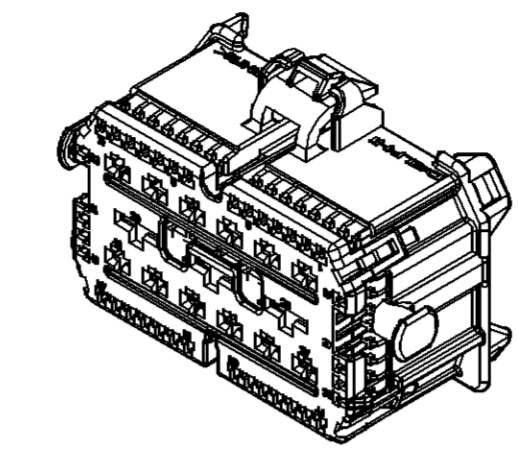
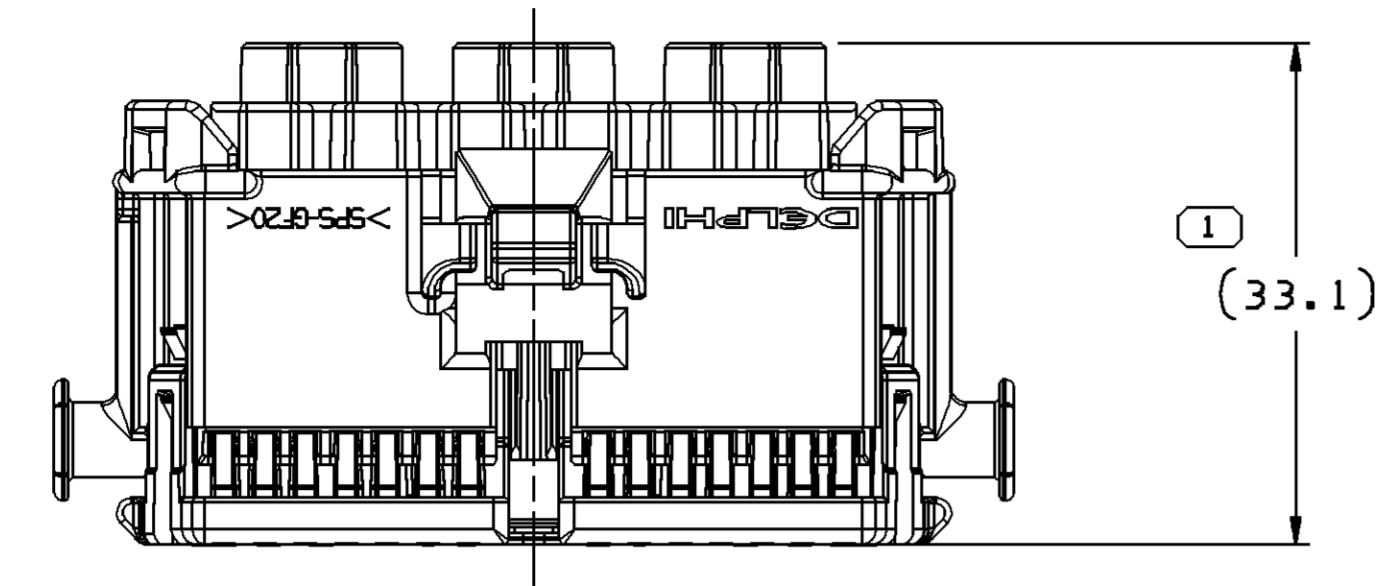


SYMBOL DEFINITION		MISSING SYMBOLS	
A DIMENSION WITHOUT AN INSPECTION REPORT SYMBOL  DOES NOT REQUIRE INSPECTION. IT MAY BE CONTROLLED ON THE INDIVIDUAL COMPONENT DRAWING.	TOTAL NO OF INSPECTIONS REQUIRED	NO MISSING SYMBOL NUMBER	
	3		
	LAST NO. USED		
	3		

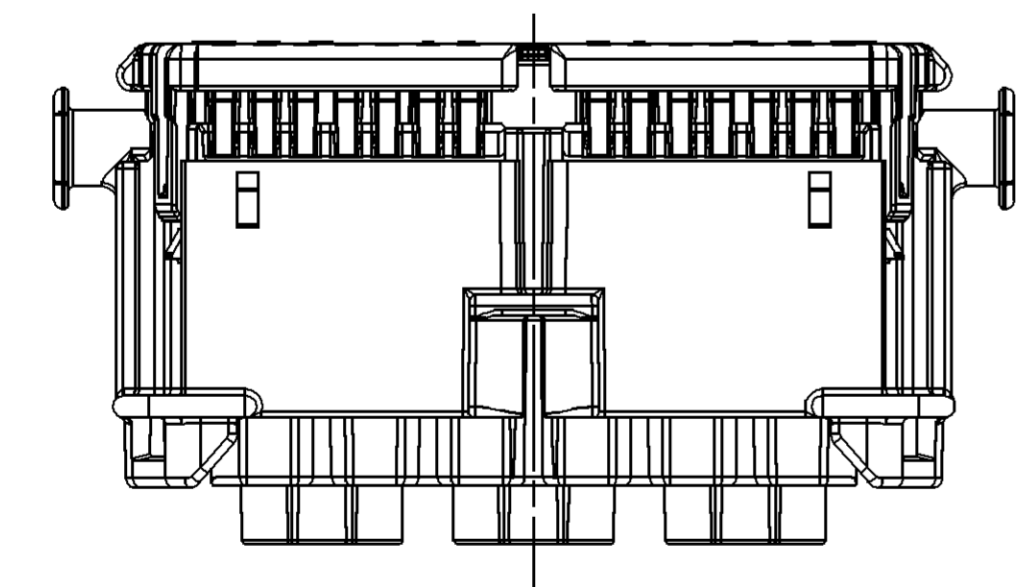
DWG STATUS				ZONE	REVISION HISTORY	AUTH	DR	APVD1	APVD2
DATE	STG	REV	N/P						
09MR06	R	01	-	-	13576989 - RELEASED; 15489547 - WAS SEPARATE DWG	277673	PCP	PCP	EJB
18MY06	R	02	-	-	ALL PARTS - PROCESS SENSITIVE DIM WAS #3; REVISED TOLERANCE TO DIM #3	280749	JS	JS	EJB

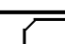


CONNECTOR - (SEE CHART)

NOTES

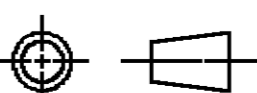

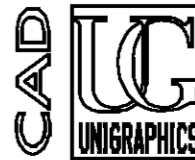
- UNLESS OTHERWISE SPECIFIED AND/OR INDICATED:
DIMENSIONS ARE TO FACE OF VIEW SHOWN AND AUTOMATICALLY ROUNDED BY COMPUTER FOR INSPECTION (SEE MATH MODEL FOR PRECISE DIMENSIONS). FOR ALL OTHER DIMENSIONS NOT SHOWN BUT REQUIRED FOR TOOL BUILD, SEE MATH MODEL FOR PRECISE TOOL PATH DATA.
- SEALING CODE 0 - UNSEALED
- MATING COMPONENTS OR EQUIVALENT:
ASSEMBLY CONNECTOR 15480636, 15480637, OR 15480638
DRESS COVER 15430492
- THIS PART ACCEPTS THE FOLLOWING COMPONENTS OR EQUIVALENT:
CAVITIES 1-15, 22-27, 31-36, 43-57 TO ACCEPT 15405758 (18-20g) or 15404982 (22-24g) TERMINAL OR EQUIVALENT.
CAVITIES 16-21, 37-42 TO ACCEPT 15420012 (10-12g) or 15393847 (14-16g) or 15421766 (18-20g) TERMINAL OR EQUIVALENT.
CAVITIES 28-30 TO ACCEPT 15448872 (10g) or 10725706 (12g) or 10725707 (14g) or 10725741 (16-20g) TERMINAL OR EQUIVALENT.



 PROCESS SENSITIVE DIMENSION

DIMENSIONS ENCLOSED IN () INDICATE REFERENCE DIMENSIONS AND NO TOLERANCE LIMITS ARE ESTABLISHED

DIMENSIONAL RANGE (MM)		CHART E1									
FROM	TO	> 0	> 20	> 30	> 70	> 100	> 150	> 200	> 250	> 300	
±0.15	±0.2	±0.3	±0.4	±0.5	±0.6	±0.8	±1	±1.2			
TOLERANCE UNLESS OTHERWISE SPECIFIED											
ANGULAR TOLERANCE #2*											

DWG TYPE		PART DRAWING	
STYLE			
VOLUME (QTY)		DISTR CODE	
UNLESS OTHERWISE SPECIFIED			
THIS DOCUMENT IS IN ACCORDANCE WITH ASME Y14.5M-1994 AS AMENDED BY THE GM GLOBAL DIMENSIONING AND TOLERANCING ADDENDUM-2001. SEPARATE PATTERNS OF FEATURES MAY BE BAGGED SEPARATELY REGARDLESS OF DATUM REFERENCES.			
ALL DIMENSIONS ARE IN MILLIMETERS			
REFERENCE			
THIRD ANGLE PROJECTION		DO NOT SCALE	
			
USE MATH DATA			

DELPHI
DELPHI PACKARD ELECTRIC SYSTEMS
WARREN, OH

DR	DATE
APVD1 P. C. PRIDMORE	09MR06
APVD2 P. C. PRIDMORE	09MR06
APVD3 ED BARDELLA	09MR06
APVD4	
APVD5	
SUBSTANCES OF CONCERN AND RECYCLED CONTENT PER DELPHI 10949001	
MATERIAL SEE CHART	
DRAWING NAME TAXI ASM CONN F HYBRID MIXED	
DRAWING NUMBER 13577009	
SIZE A1	SCALE 2:1
FRAME NO 1 OF 1	SHEET NO 1 OF 1
STG R	REV 02
N/P -	

13576989	R	01	AA	BLK	13576988
15489547	R	01	AA	NAT	15489546
PART NO	STG	REV	N/P	COLOR	BASE CONNECTOR