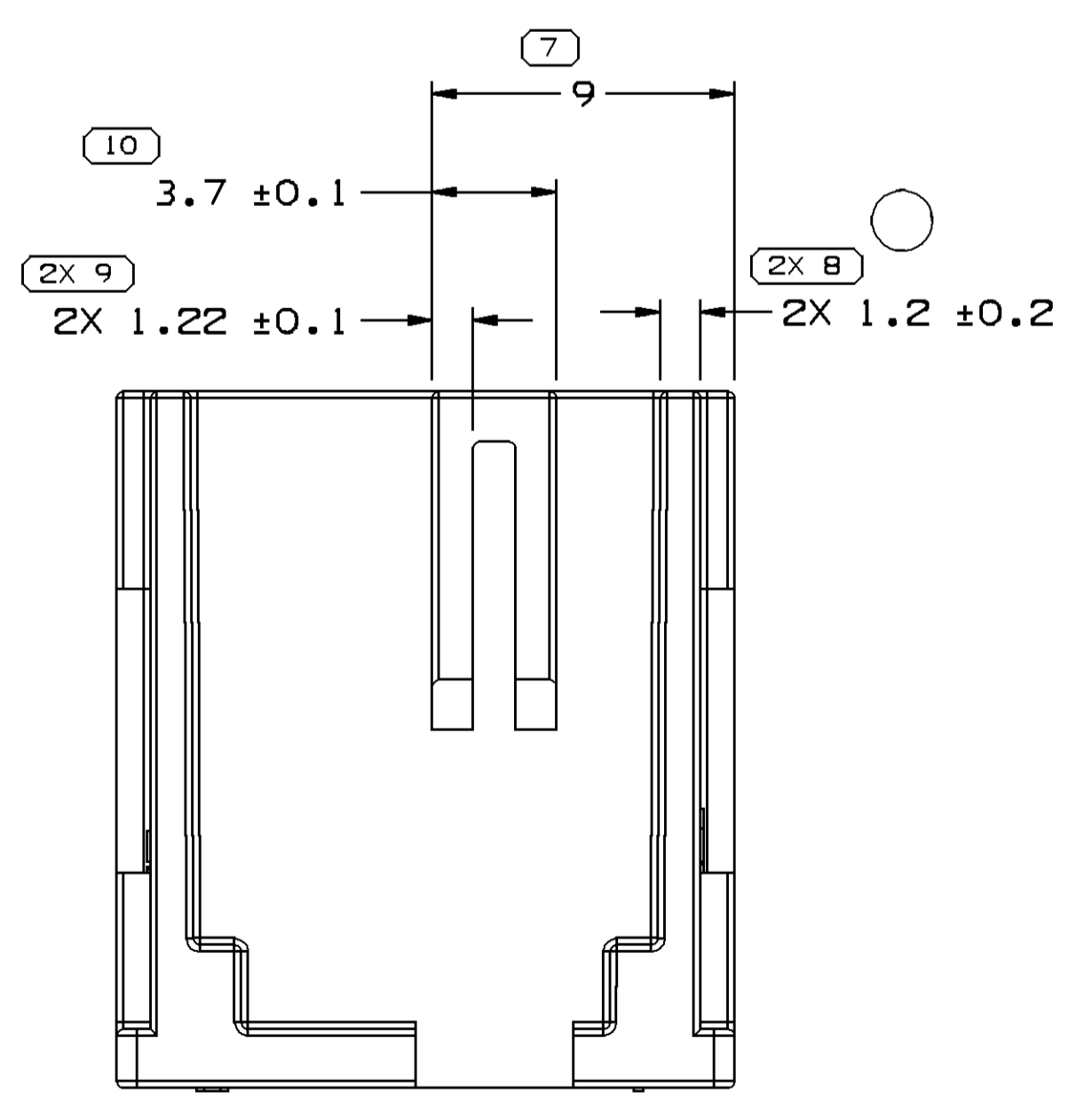
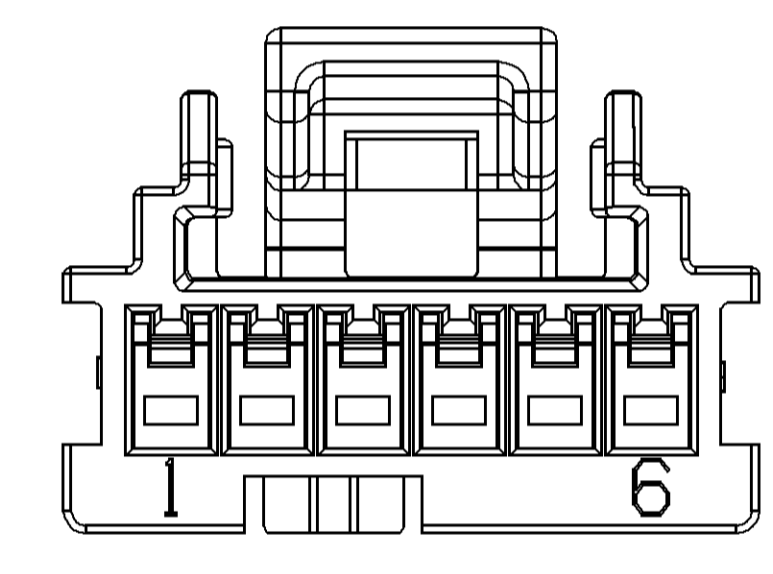
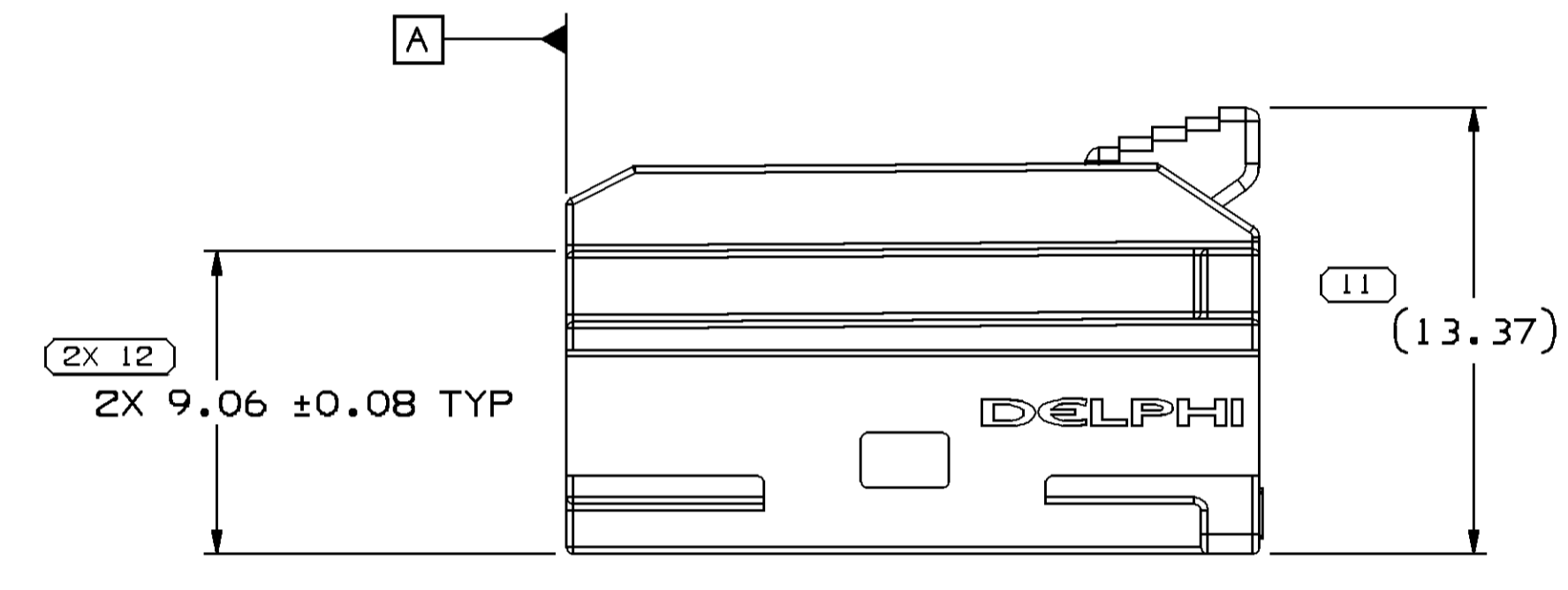
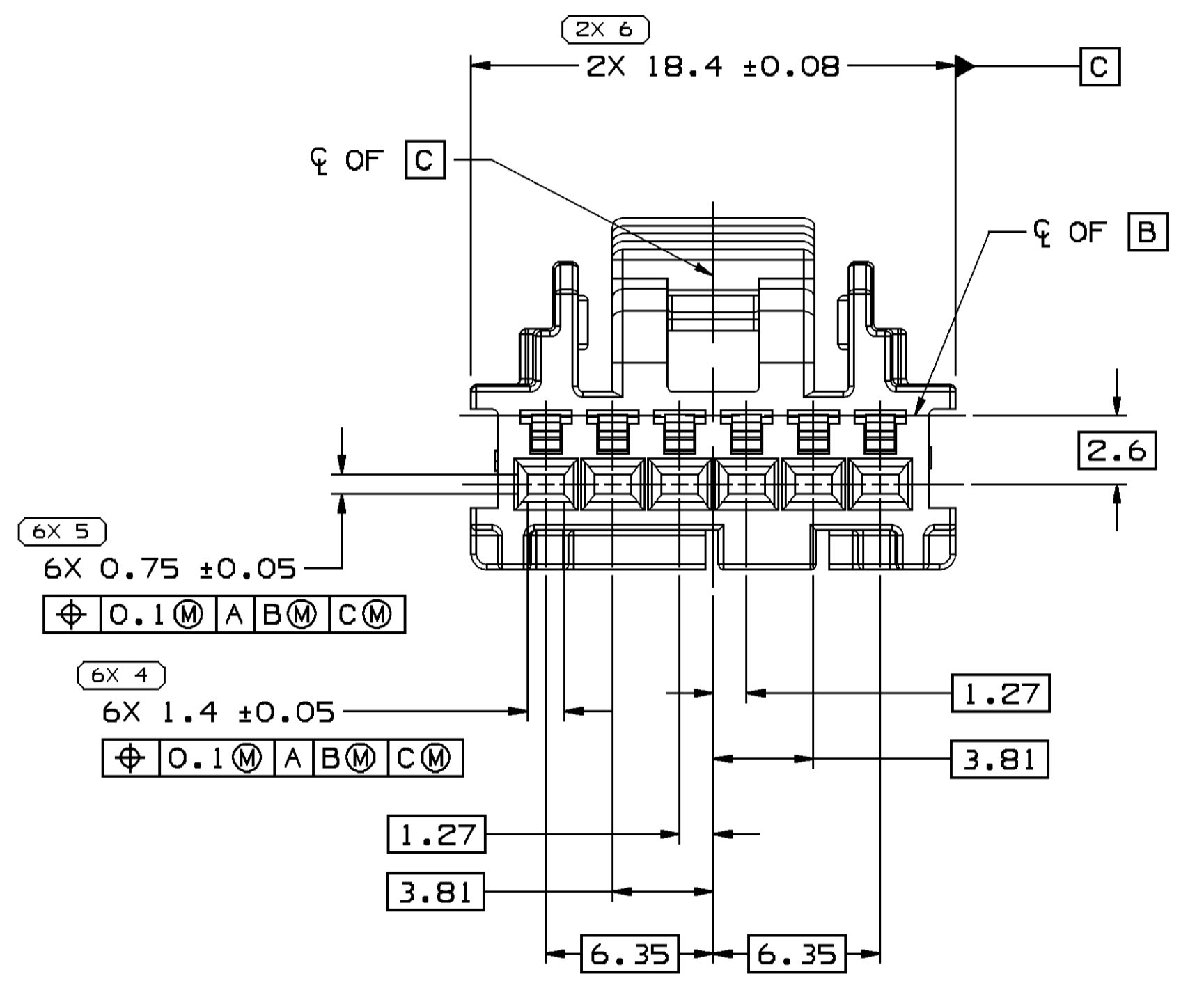
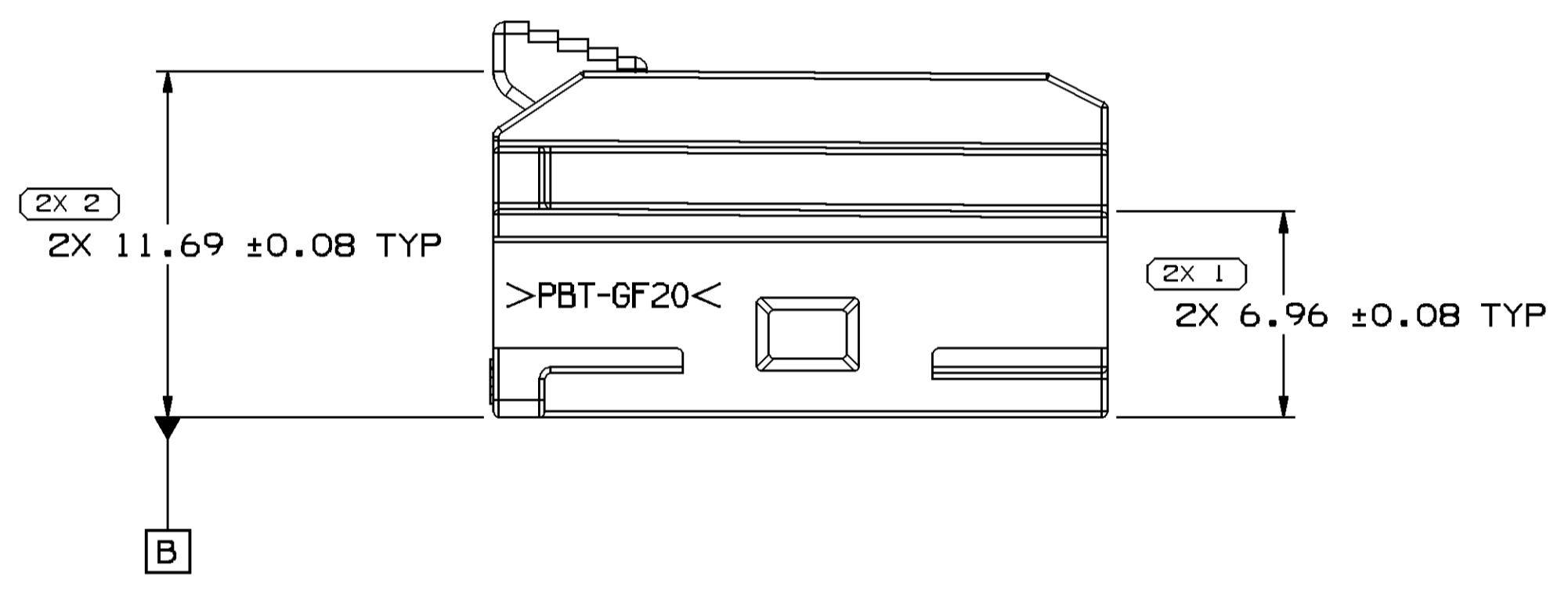
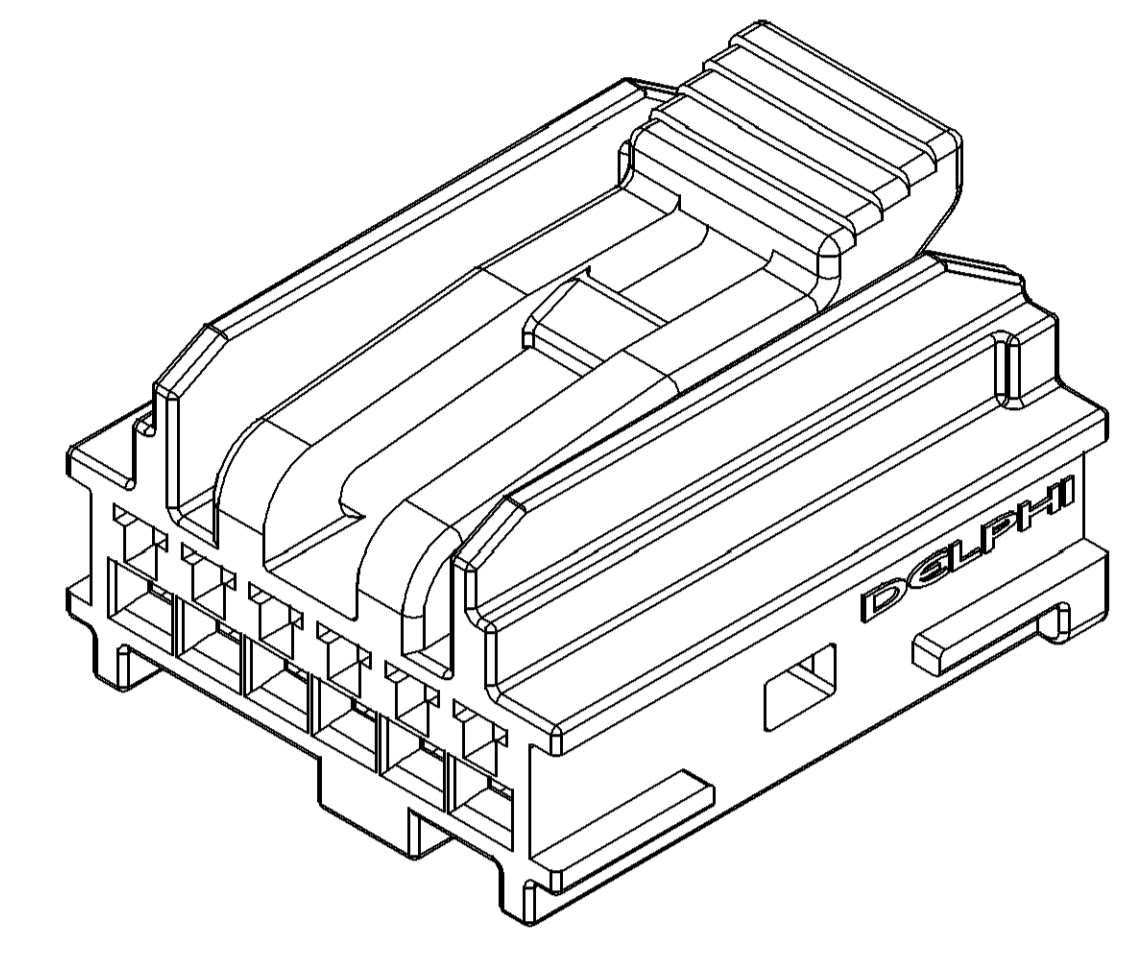
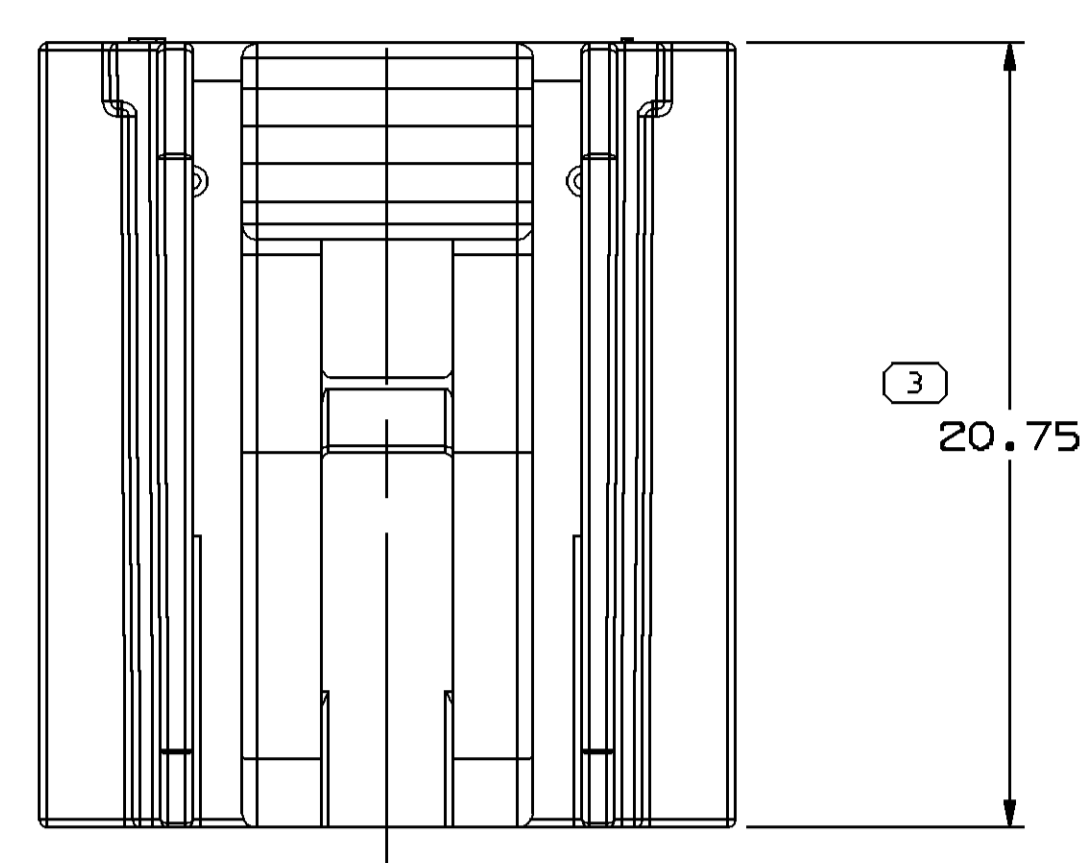


SYMBOL DEFINITION		TOTAL NO OF INSPECTIONS REQUIRED	MISSING SYMBOLS
A DIMENSION WITHOUT AN INSPECTION REPORT SYMBOL DOES NOT REQUIRE INSPECTION. IT MAY BE CONTROLLED ON THE INDIVIDUAL COMPONENT DRAWING.		28	NO MISSING SYMBOL NUMBER
LAST NO. USED		12	

DWG STATUS				REVISION HISTORY				AUTH		DR		AP/VD	
DATE	STG	REV	N/P	CHG	ZONE								
15JN06	R	01	-	-		WAS PE147234 AND RELEASED				281765	RH	RH	EJB
10JL06	R	02	-	-		DIM 9 WAS 9.21; ADDED RECYCLING CODE SYMBOL AND DELPHI CORPORATE BRAND LOGO; ADDED ADDITIONAL MATERIAL FOR EJECTOR PINS				282375	RH	RH	EJB
03JA07	R	02	AA	-		DIM #B TOLERANCE WAS ±0.1				288266	JEC	JEC	EJB



NOTES

- UNLESS OTHERWISE SPECIFIED AND/OR INDICATED:  
DIMENSIONS ARE TO FACE OF VIEW SHOWN AND AUTOMATICALLY ROUNDED BY COMPUTER FOR INSPECTION (SEE MATH MODEL FOR PRECISE DIMENSIONS). FOR ALL OTHER DIMENSIONS NOT SHOWN BUT REQUIRED FOR TOOL BUILD, SEE MATH MODEL FOR PRECISE TOOL PATH DATA.
- TOOL CAVITY IDENTIFICATION SHOULD BE LOCATED AS CLOSE TO THE GATE AS POSSIBLE.
- MATERIAL RECYCLING CODE PER ISO 11469. (0.8)X(0.1) CHARACTERS AS SHOWN TO BE LOCATED ON ANY EXTERIOR SURFACE.
- REFERENCE MATING COMPONENTS OR EQUIVALENT:  
CPA 13579376
- THIS PART ACCEPTS THE FOLLOWING COMPONENTS OR EQUIVALENT:  
TERMINAL 15445904  
TPA 13513474
- (0.8)X(0.1) DELPHI CORPORATE BRAND TO BE LOCATED ON ANY EXTERIOR SURFACE, PREFERABLY VISIBLE AT FINAL ASSEMBLY. OPTIONAL CONSTRUCTION FOR EXISTING TOOLING MAY BE "PED".

DWG TYPE PART DRAWING		DATE											
STYLE	DISTR CODE	DATE											
VOLUME 10/1	D	DATE											
UNLESS OTHERWISE SPECIFIED THIS DOCUMENT IS IN ACCORDANCE WITH ASME Y14.5M-1994 AS MODIFIED BY THE IN-SUPPLY DIMENSIONING AND TOLERANCE ADDENDUM-2009. SEPARATE MATING OR REFERENCE PARTS MAY BE BASED SEPARATELY PER POLICY OF DIVISION REFERENCES.													
ALL DIMENSIONS ARE IN MILLIMETERS													
REFERENCE													
<table border="1"> <thead> <tr> <th>DIMENSIONAL RANGE (MM)</th> <th>SHORT ET</th> </tr> </thead> <tbody> <tr> <td>FROM &gt; 0</td> <td>&gt; 30</td> </tr> <tr> <td>TO</td> <td>20 30 70 100 150 200 250 300 400</td> </tr> <tr> <td colspan="2">TOLERANCE UNLESS OTHERWISE SPECIFIED</td> </tr> <tr> <td>±0.15 ±0.2 ±0.3 ±0.4 ±0.5 ±0.6 ±0.8 ±1 ±1.2</td> <td>ANGULAR TOLERANCE 2°</td> </tr> </tbody> </table>				DIMENSIONAL RANGE (MM)	SHORT ET	FROM > 0	> 30	TO	20 30 70 100 150 200 250 300 400	TOLERANCE UNLESS OTHERWISE SPECIFIED		±0.15 ±0.2 ±0.3 ±0.4 ±0.5 ±0.6 ±0.8 ±1 ±1.2	ANGULAR TOLERANCE 2°
DIMENSIONAL RANGE (MM)	SHORT ET												
FROM > 0	> 30												
TO	20 30 70 100 150 200 250 300 400												
TOLERANCE UNLESS OTHERWISE SPECIFIED													
±0.15 ±0.2 ±0.3 ±0.4 ±0.5 ±0.6 ±0.8 ±1 ±1.2	ANGULAR TOLERANCE 2°												
THIRD ANGLE PROJECTION		DO NOT SCALE											
USE MATH DATA		NX											

**DELPHI**  
DELPHI PACKARD ELECTRIC SYSTEMS  
WARREN, OH

DR	DATE
APV01 ROBERT HURD	15JN06
APV02 ROBERT HURD	15JN06
APV03 ED BARDELLA	21JN06
APV04	
APV05	

SUBSTANCES OF CONCERN AND RECYCLED CONTENT PER DELPHI 10949001

MATERIAL: W4629002 PBT GF20 BLK

DRAWING NAME:  
**CONN 6 F MICRO HVT BLK**

DRAWING NUMBER:  
**13579375**

SIZE	SCALE	FRAME NO	SHEET NO	STG	REV	N/P
A0	5:1	1	1	1	02	AA

Date: 03-Jan-07 Time: 09:18