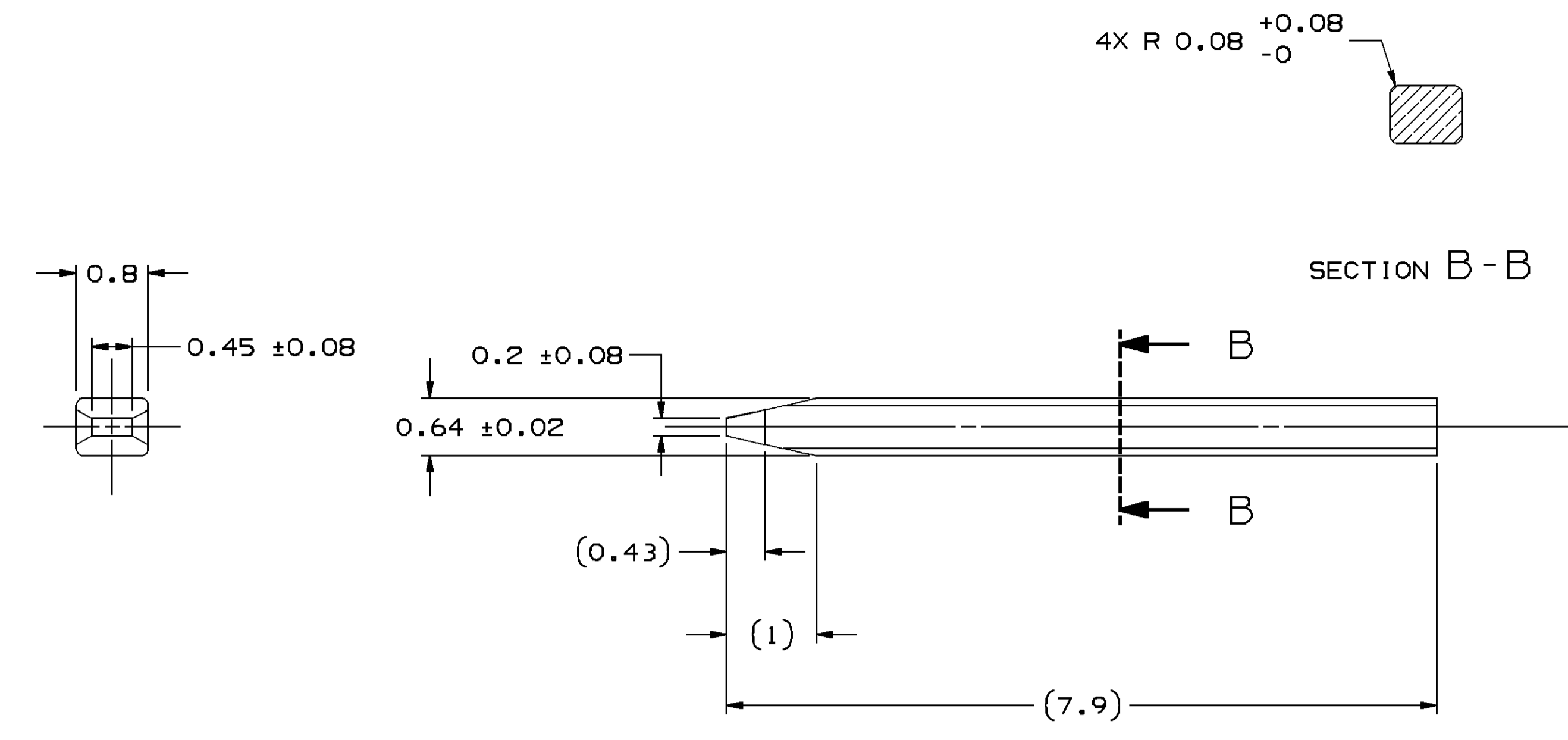
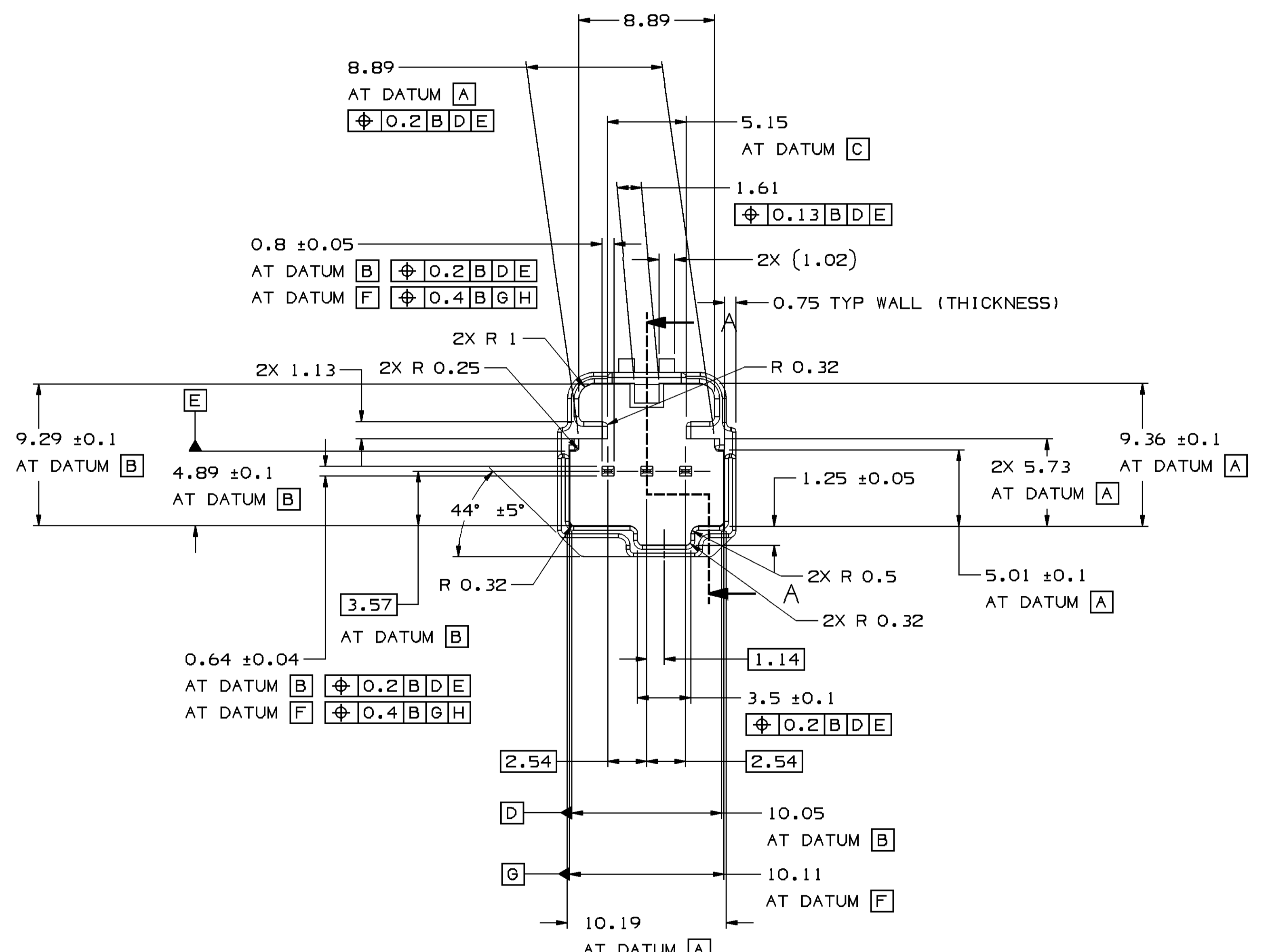
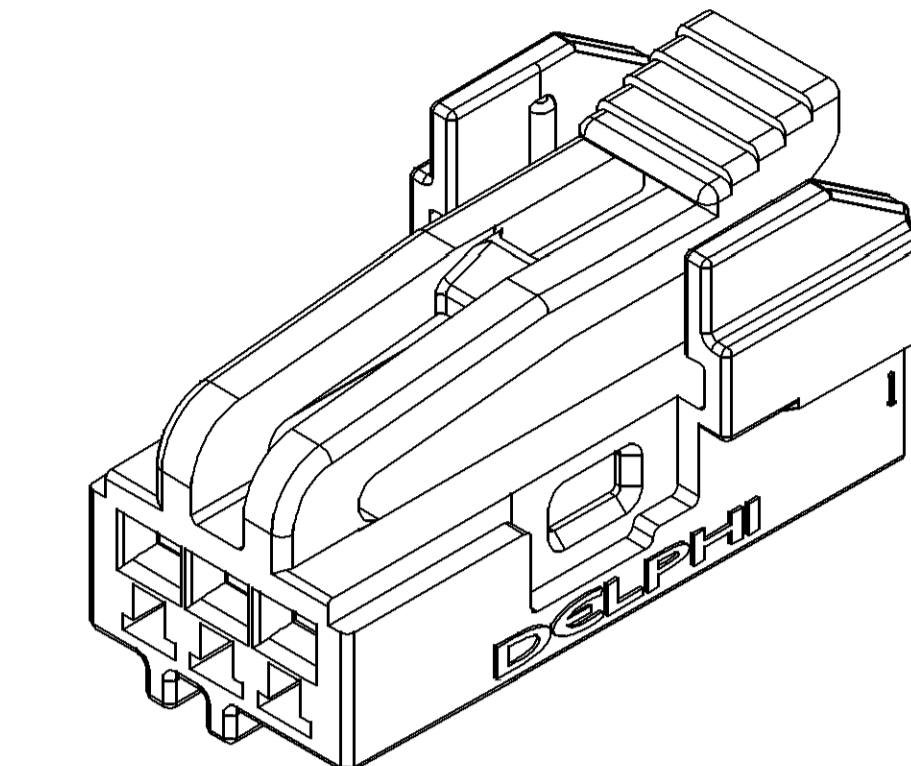
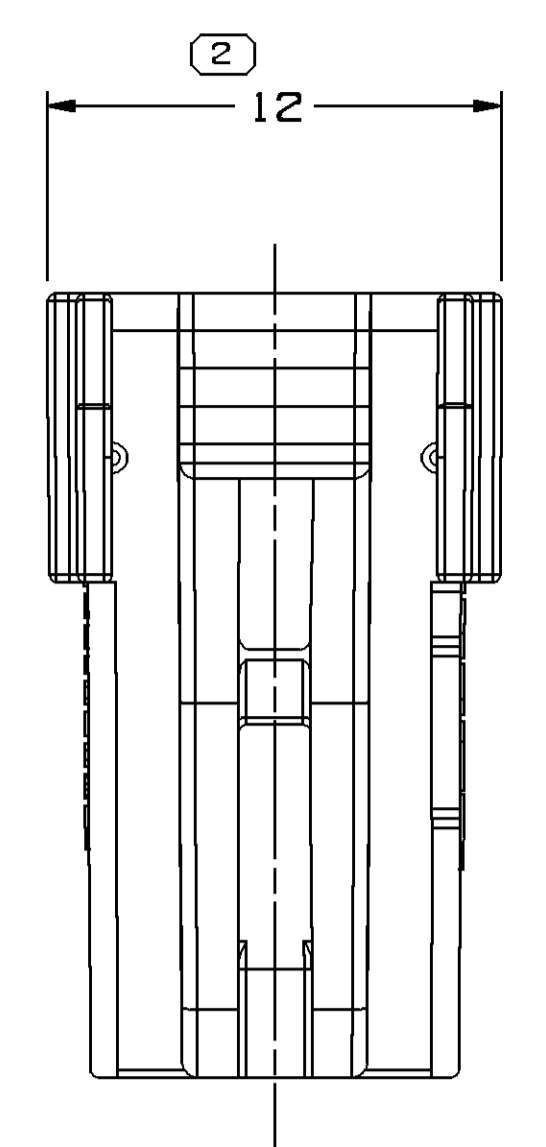


SYMBOL DEFINITION		TOTAL NO OF INSPECTIONS REQUIRED	MISSING SYMBOLS
A DIMENSION WITHOUT AN INSPECTION REPORT SYMBOL DOES NOT REQUIRE INSPECTION. IT MAY BE CONTROLLED ON THE INDIVIDUAL COMPONENT DRAWING.		11	NO MISSING SYMBOL NUMBER
		8	LAST NO. USED

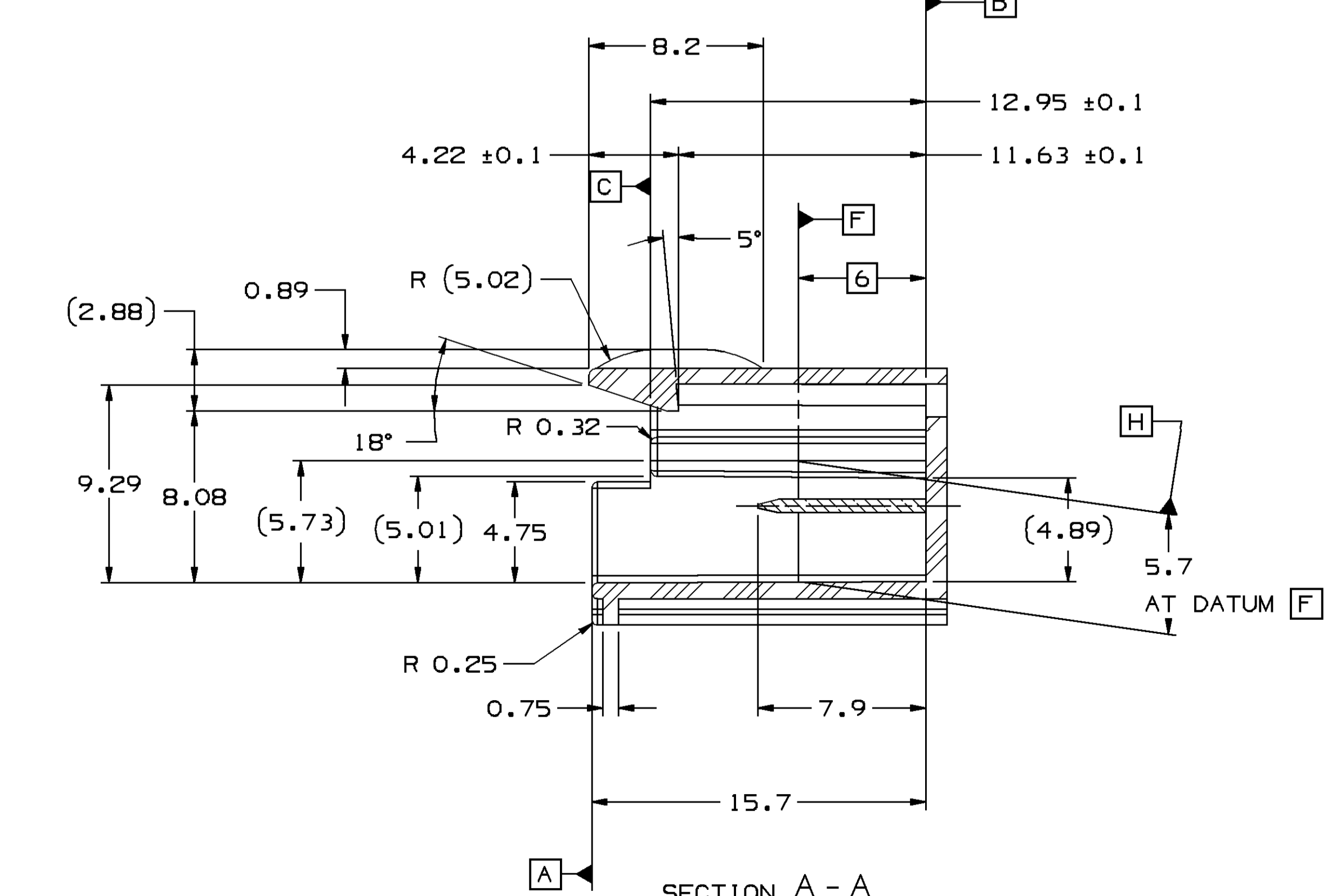
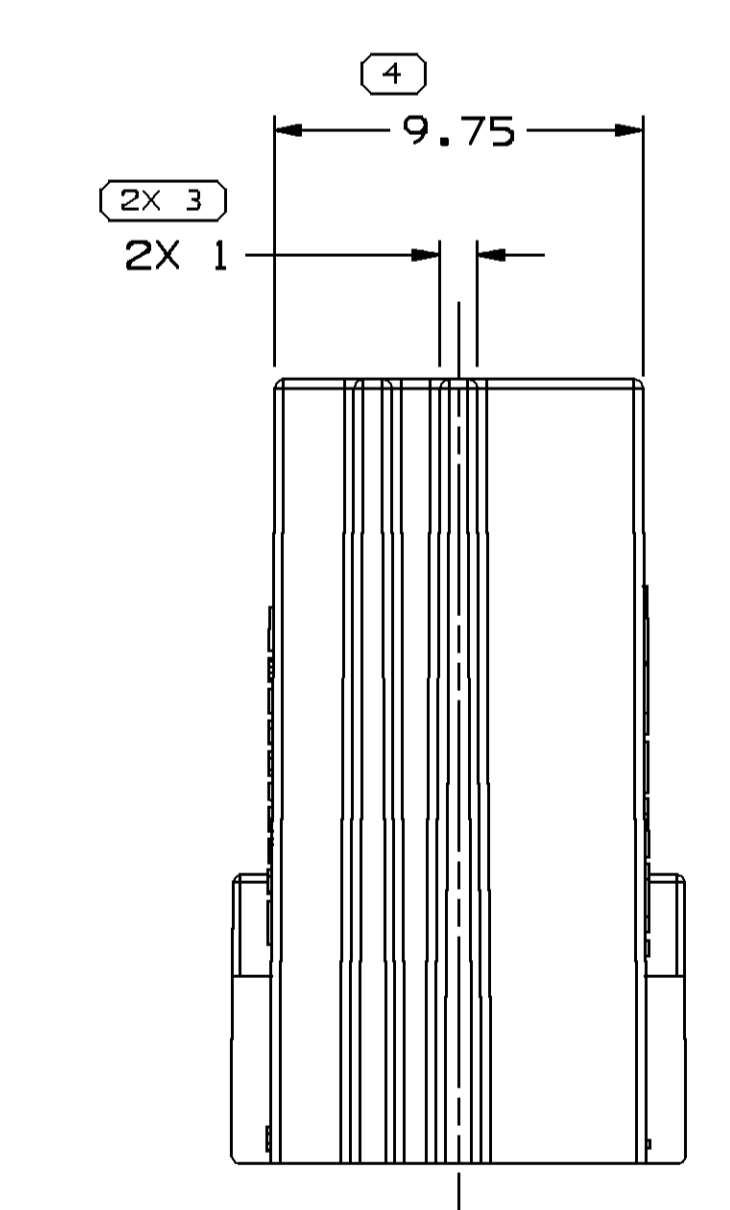
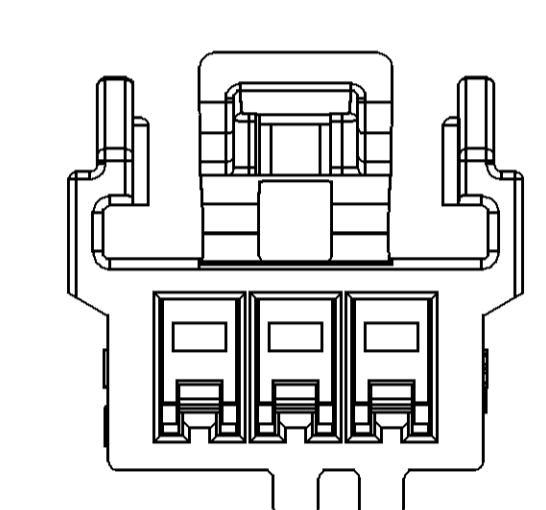
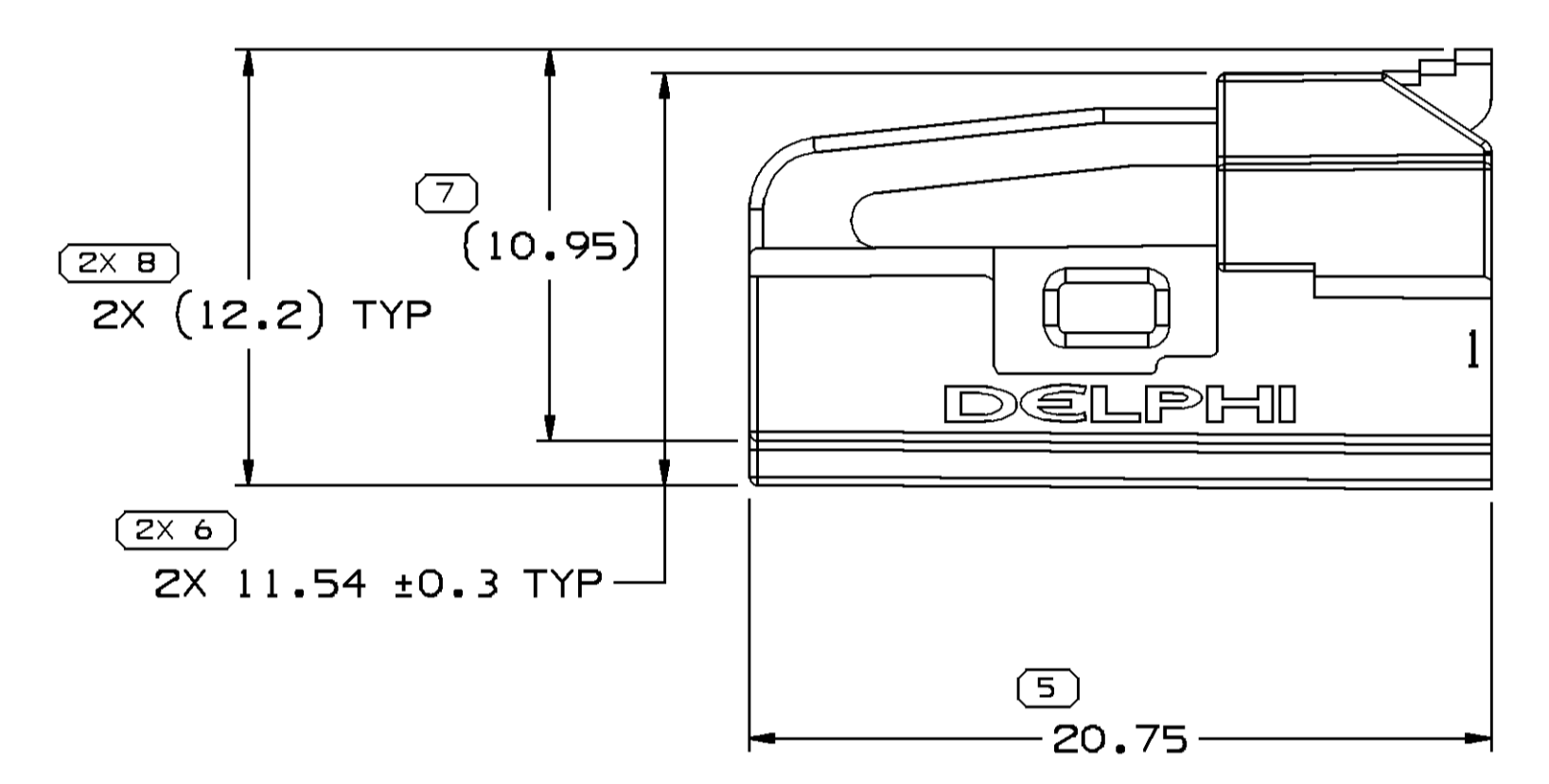
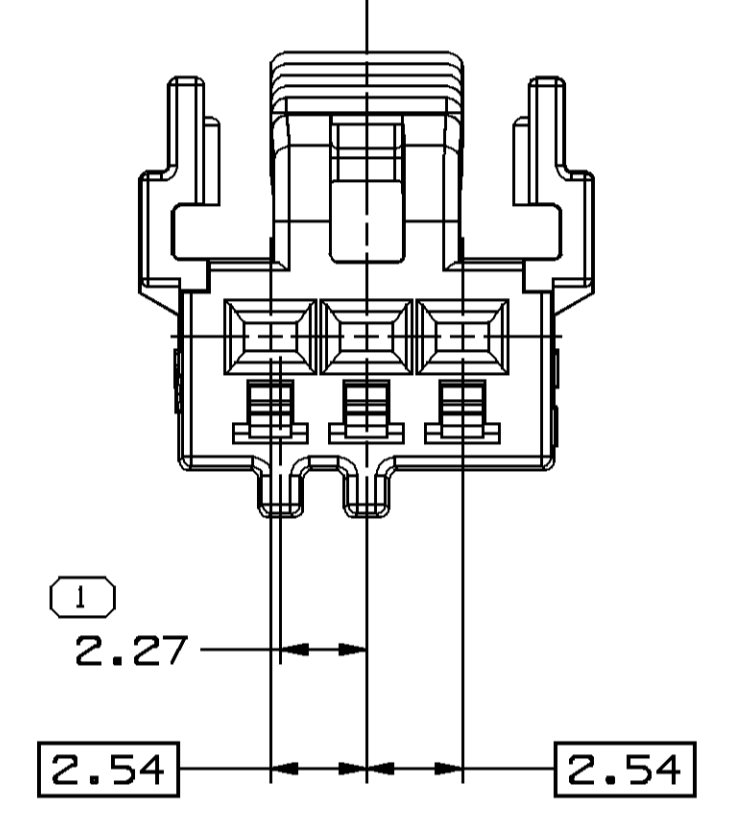
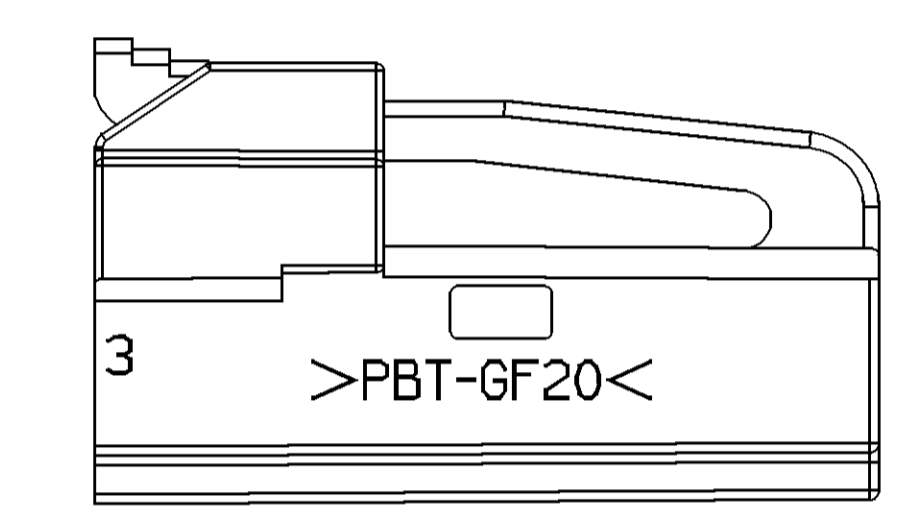
DWG STATUS				REVISION HISTORY		AUTH	DR	APVD
DATE	STG	REV	N/P	CHG	ZONE			
10JL06	R	01	-	-		RELEASED	281789	FRG/FRG/EB
13SE06	R	01	AA	-		UPDATED PDM ATTRIBUTES	284295	MDH/FRG/EB
08JA07	R	01	AB	-		TOLERANCE FOR DIM. 6 WAS +/- .15	400025	TMF/FRG/EB
11JA07	R	01	AC	-		TOLERANCE FOR DIM 6 WAS +/- 0.2	400082	JEC/JEC/EB
06MR07	R	02	-	-		UPDATED PDM ATTRIBUTES	400713	RJD/RJD/EB



PIN TIP MATING BLADE INFORMATION  
SCALE 20:1



MATING CONNECTOR INFORMATION



- NOTES
- UNLESS OTHERWISE SPECIFIED AND/OR INDICATED:  
DIMENSIONS ARE TO FACE OF VIEW SHOWN AND AUTOMATICALLY ROUNDED BY COMPUTER FOR INSPECTION (SEE MATH MODEL FOR PRECISE DIMENSIONS). FOR ALL OTHER DIMENSIONS NOT SHOWN BUT REQUIRED FOR TOOL BUILD, SEE MATH MODEL FOR PRECISE TOOL PATH DATA.
  - MATERIAL RECYCLING CODE PER ISO 11469. (1)X(0.1) CHARACTERS AS SHOWN TO BE LOCATED ON ANY EXTERIOR SURFACE.
  - THIS PART ACCEPTS THE FOLLOWING COMPONENTS OR EQUIVALENT:  
CONNECTOR POSITION ASSURANCE LOCK 13592122  
TERMINAL POSITION ASSURANCE LOCK 13592120
  - (1)X(0.1) DELPHI CORPORATE BRAND TO BE LOCATED ON ANY EXTERIOR SURFACE, PREFERABLY VISIBLE AT FINAL ASSEMBLY. OPTIONAL CONSTRUCTION FOR EXISTING TOOLING MAY BE "PED".

DIMENSIONAL RANGE (MM)		SHORT ET
FROM	TO	
> 0	> 30	> 70
> 30	> 70	> 100
> 70	> 100	> 150
> 100	> 150	> 200
> 150	> 200	> 250
> 200	> 250	> 300
> 250	> 300	> 400

**DELPHI**  
DELPHI PACKARD ELECTRICAL/ELECTRONIC ARCHITECTURE  
WYREN, OH

DR	DATE
APV01 FCO, RESENDIZ	10JL06
APV02 FCO, RESENDIZ	10JL06
APV03 ED BARDELLA	14JL06
APV04	

UNLESS OTHERWISE SPECIFIED  
THIS DOCUMENT IS IN ACCORDANCE WITH ASME Y14.5M-1994  
AS MODIFIED BY THE IN-SUPPLY DISCREPANCY AND  
TOLERANCE ADDENDUMS. SEPARATE WRITINGS OF  
FEATURES MAY BE BASED SEPARATELY PER-PROCESSOR OF DATUM  
REFERENCES.

ALL DIMENSIONS ARE IN MILLIMETERS

REFERENCE

DO NOT SCALE  
USE MATH DATA

THIRD ANGLE PROJECTION

SCALE: 5:1

FRAME NO: 1

SHEET NO: 1 OF 1

STG REV N/P: 1 02

DRAWING NAME: CONN 3 F MICRO HVT BLK

DRAWING NUMBER: 13592117

Doc: 09-Mar-07 Time: 12:15