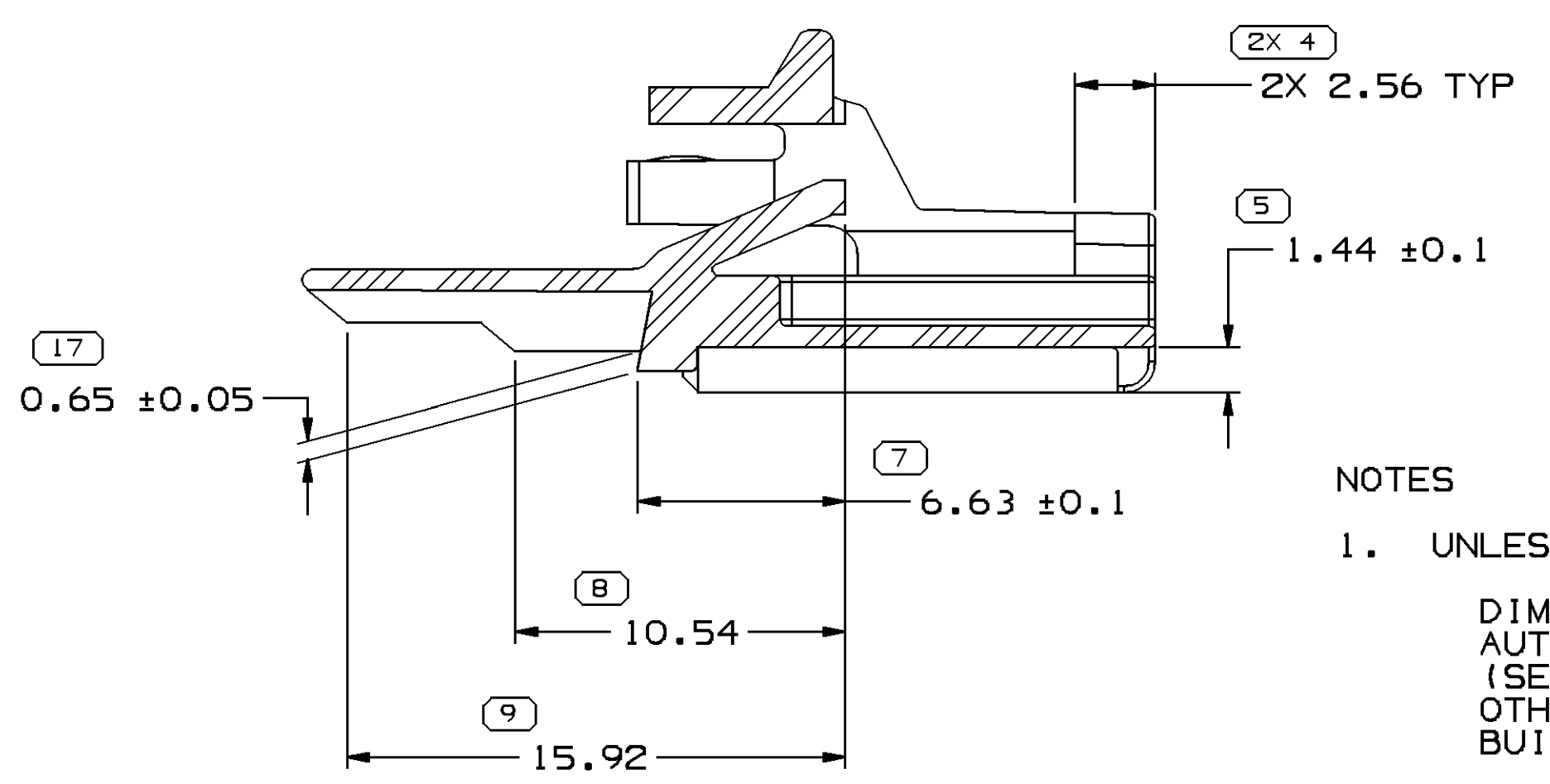
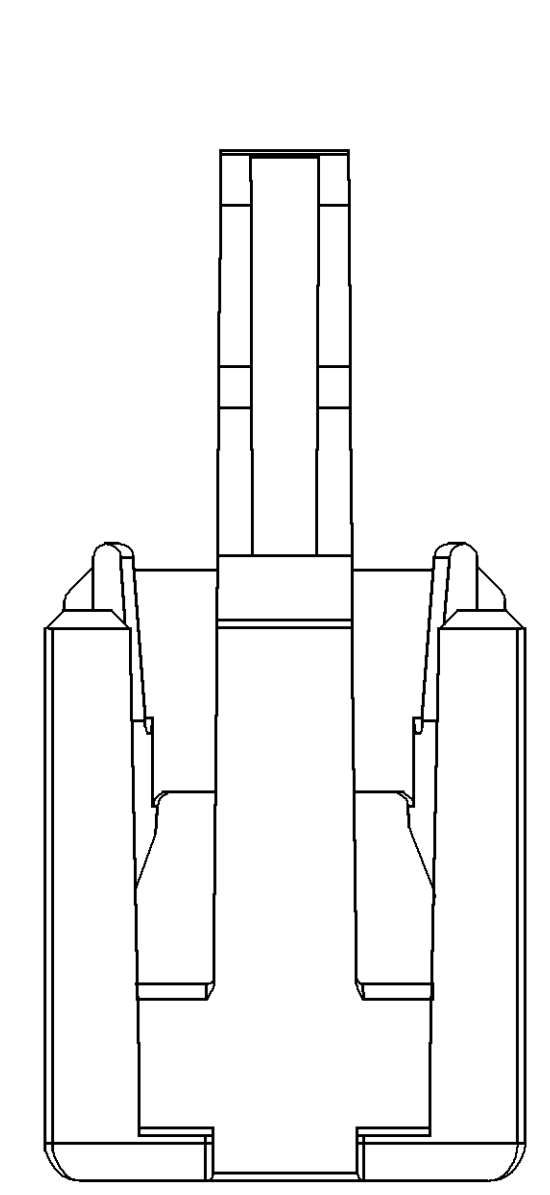
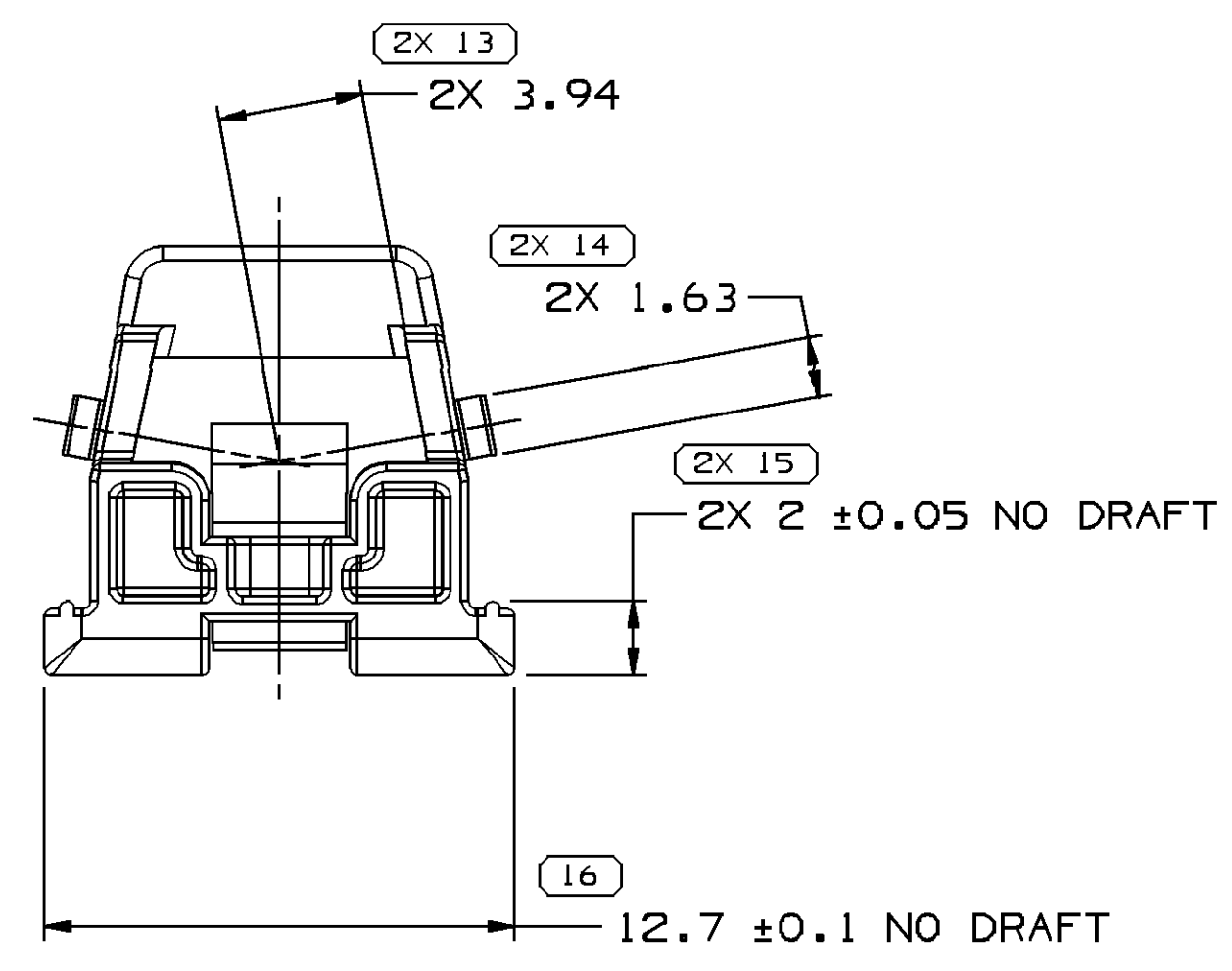
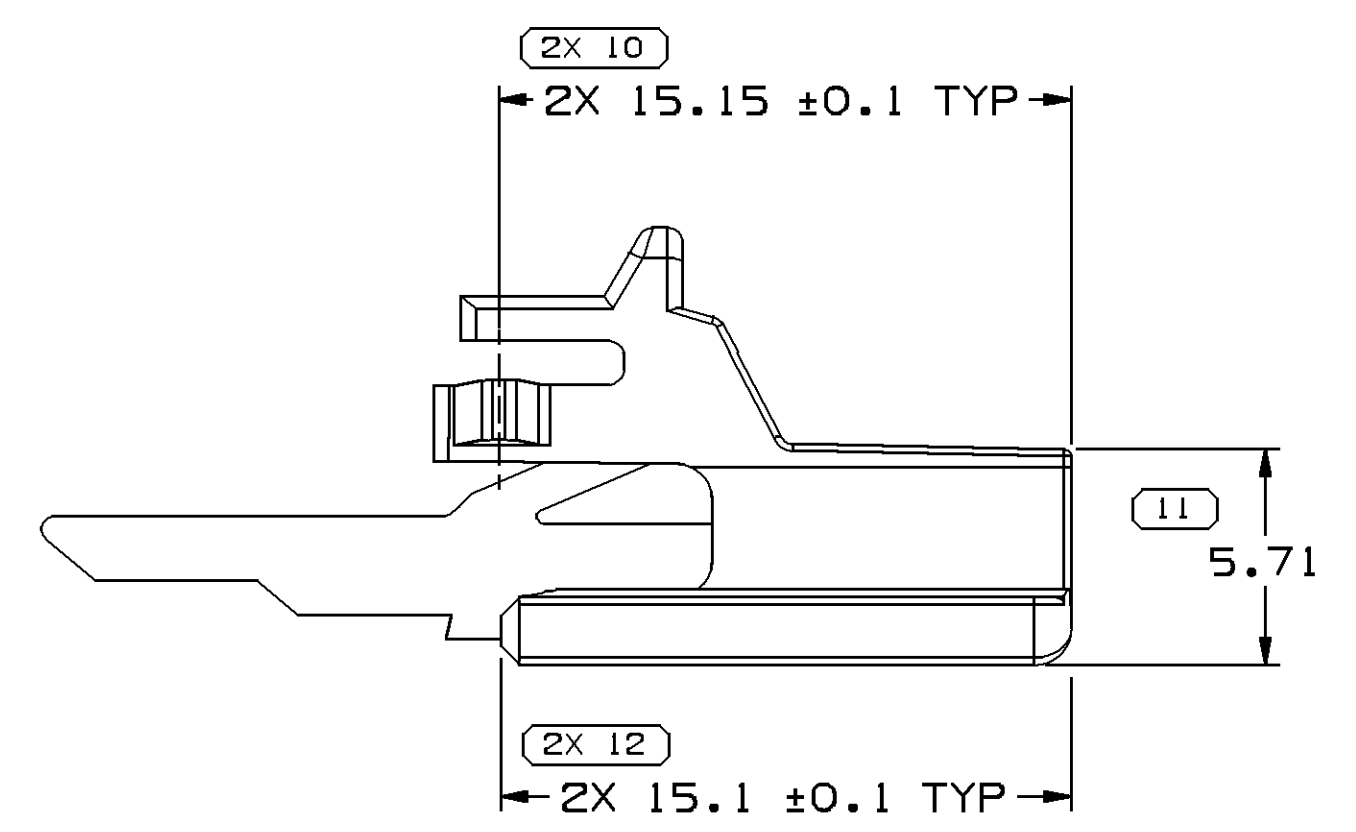
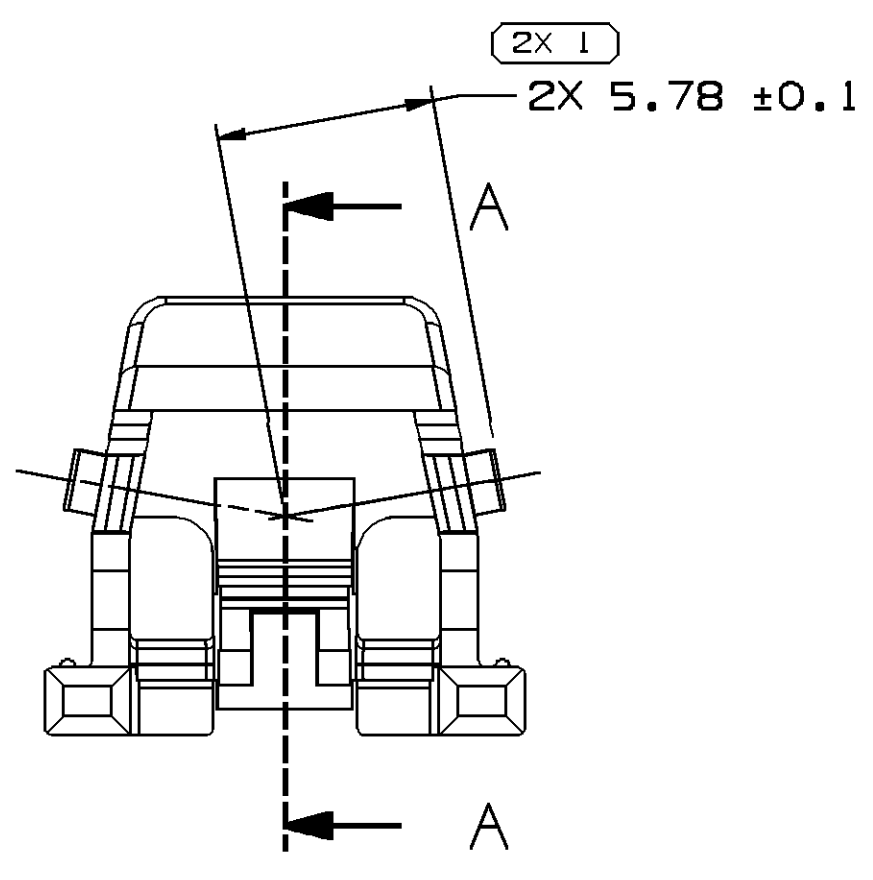
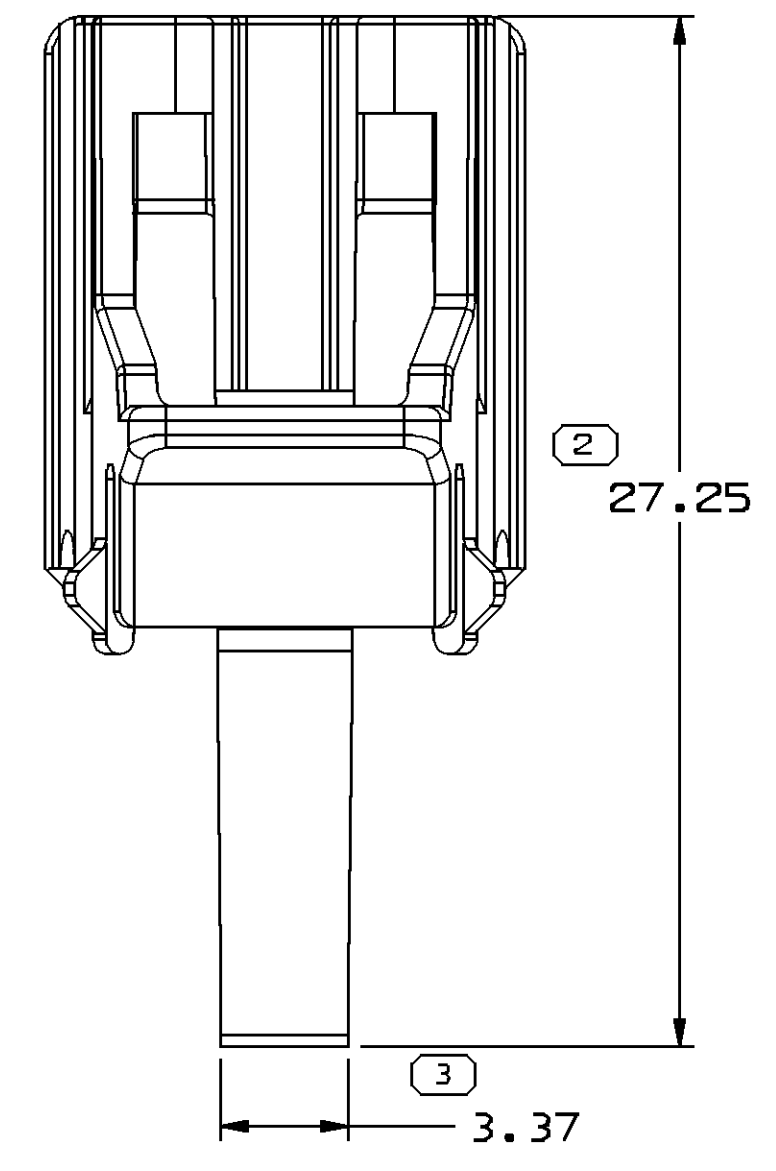


SYMBOL DEFINITION		MISSING SYMBOLS	
A DIMENSION WITHOUT AN INSPECTION REPORT SYMBOL DOES NOT REQUIRE INSPECTION. IT MAY BE CONTROLLED ON THE INDIVIDUAL COMPONENT DRAWING.	TOTAL NO OF INSPECTIONS REQUIRED	23	6
	LAST NO. USED	17	

DWG STATUS				ZONE	REVISION HISTORY	AUTH	DR	APVD1	APVD2
DATE	STG	REV	N/P						
01AU06	R	01	-	-	CREATED PART DRAWING	281873	LLJ	LLJ	MD
14SE06	R	02	-	-	REVISED PRE-STAGE STOP	284501	MM	MM	MD
110C06	R	02	AA	-	ADDED NOTE #5	285423	JS	JS	MD
120C06	R	02	AB	-	ADDED DIM #17; REMOVED DIM #6	285635	JS	JS	MD
09NO06	R	02	AC	-	REVISED NOTE 5	286710	MM	MM	MD
26JA07	R	02	AD	-	REVISED NOTE 5	400340	WHC	WHC	MD



SECTION A - A

- NOTES
- UNLESS OTHERWISE SPECIFIED AND/OR INDICATED:
DIMENSIONS ARE TO FACE OF VIEW SHOWN AND AUTOMATICALLY ROUNDED BY COMPUTER FOR INSPECTION (SEE MATH MODEL FOR PRECISE DIMENSIONS). FOR ALL OTHER DIMENSIONS NOT SHOWN BUT REQUIRED FOR TOOL BUILD, SEE MATH MODEL FOR PRECISE TOOL PATH DATA.
 - MATERIAL RECYCLING CODE PER ISO 11469. (1)X(0.05) CHARACTERS AS SHOWN TO BE LOCATED ON ANY EXTERIOR SURFACE. OPTIONAL CONSTRUCTION IS NO MATERIAL RECYCLING CODE.
 - (1)X(0.05) DELPHI CORPORATE BRAND TO BE LOCATED ON ANY EXTERIOR SURFACE, PREFERABLY VISIBLE AT FINAL ASSEMBLY. OPTIONAL CONSTRUCTION IS NO CORPORATE BRAND.
 - THIS PART ACCEPTS THE FOLLOWING COMPONENTS OR EQUIVALENT:
CONNECTOR - (SEE CHART)
 - CPA INSERTION PRE-SET TO LOCK WHEN MATED <45N WHEN TESTED USCAR-2 REV 4 SECTION 5.4.5 MISC COMPONENT ENGAGE/DISENGAGE.

13592513	02	AC	13592511 & 13592512
PART NO	REV	N/P	MATING CONNECTOR

DIMENSIONAL RANGE (MM)		CHART ET	
FROM	TO	>	>
> 0	> 20	> 30	> 70
> 20	> 30	> 70	> 100
> 30	> 70	> 100	> 150
> 70	> 100	> 150	> 200
> 100	> 150	> 200	> 250
> 150	> 200	> 250	> 300
> 200	> 250	> 300	> 400

TOLERANCE UNLESS OTHERWISE SPECIFIED

±0.15	±0.2	±0.3	±0.4	±0.5	±0.6	±0.8	±1	±1.2
-------	------	------	------	------	------	------	----	------

ANGULAR TOLERANCE ±2°

DWG TYPE PART DRAWING	
STYLE	
VOLUME (CPI) 0.554	DISTR CODE D
UNLESS OTHERWISE SPECIFIED THIS DOCUMENT IS IN ACCORDANCE WITH ASME Y14.5M-1994 AS AMENDED BY THE 0M GLOBAL DIMENSIONING AND TOLERANCING ADDENDUM-2001. SEPARATE PATTERNS OF FEATURES MAY BE GAGED SEPARATELY REGARDLESS OF DATUM REFERENCES.	
ALL DIMENSIONS ARE IN MILLIMETERS	
REFERENCE	
THIRD ANGLE PROJECTION	DO NOT SCALE USE MATH DATA

DELPHI
DELPHI PACKARD ELECTRICAL/ELECTRONIC ARCHITECTURE
WARREN, OH

DR	DATE
APVD1 L. JONES	27JL06
APVD2 L. JONES	27JL06
APVD3 MIKE DEMONICA	01AU06
APVD4	
APVD5	

SUBSTANCES OF CONCERN AND RECYCLED CONTENT PER DELPHI 10945001

MATERIAL
M3592008
PA66 HS IM BLU

DRAWING NAME
LOCK CPA 6T

DRAWING NUMBER
13592513

SIZE A1	SCALE 5:	FRAME NO 1 OF 1	SHEET NO 1 OF 1	STG R	REV 02	N/P AD
------------	-------------	--------------------	--------------------	----------	-----------	-----------