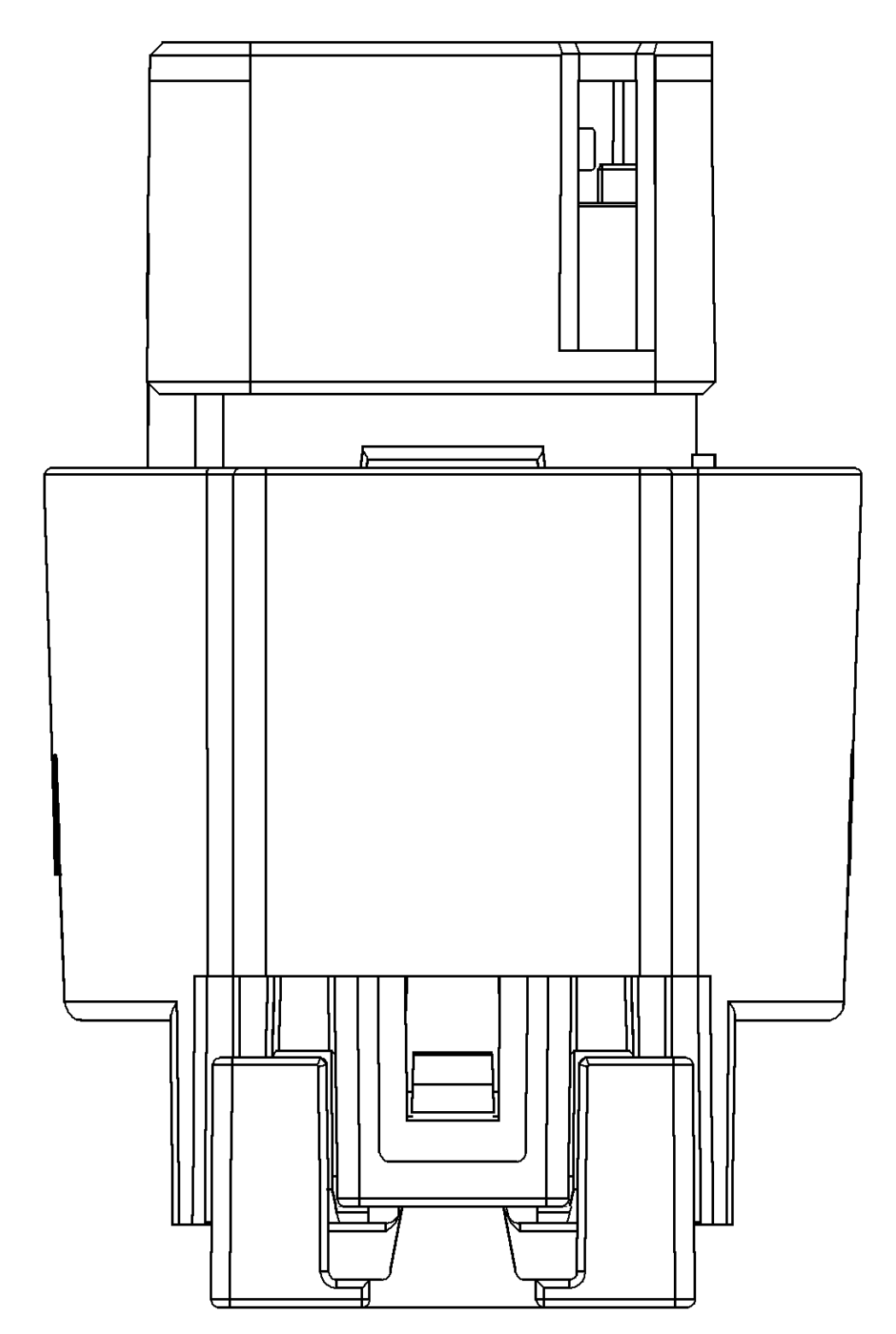
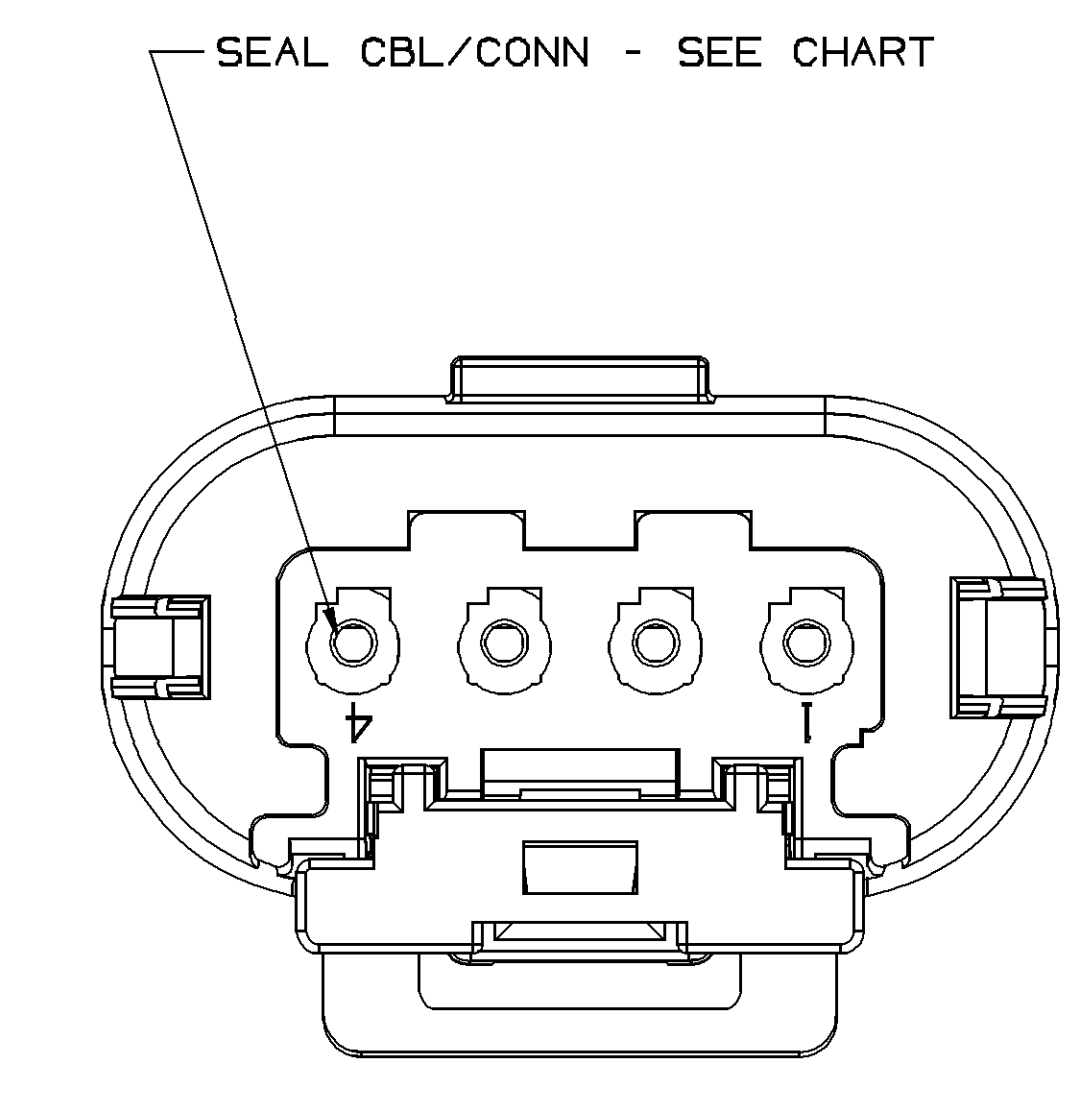
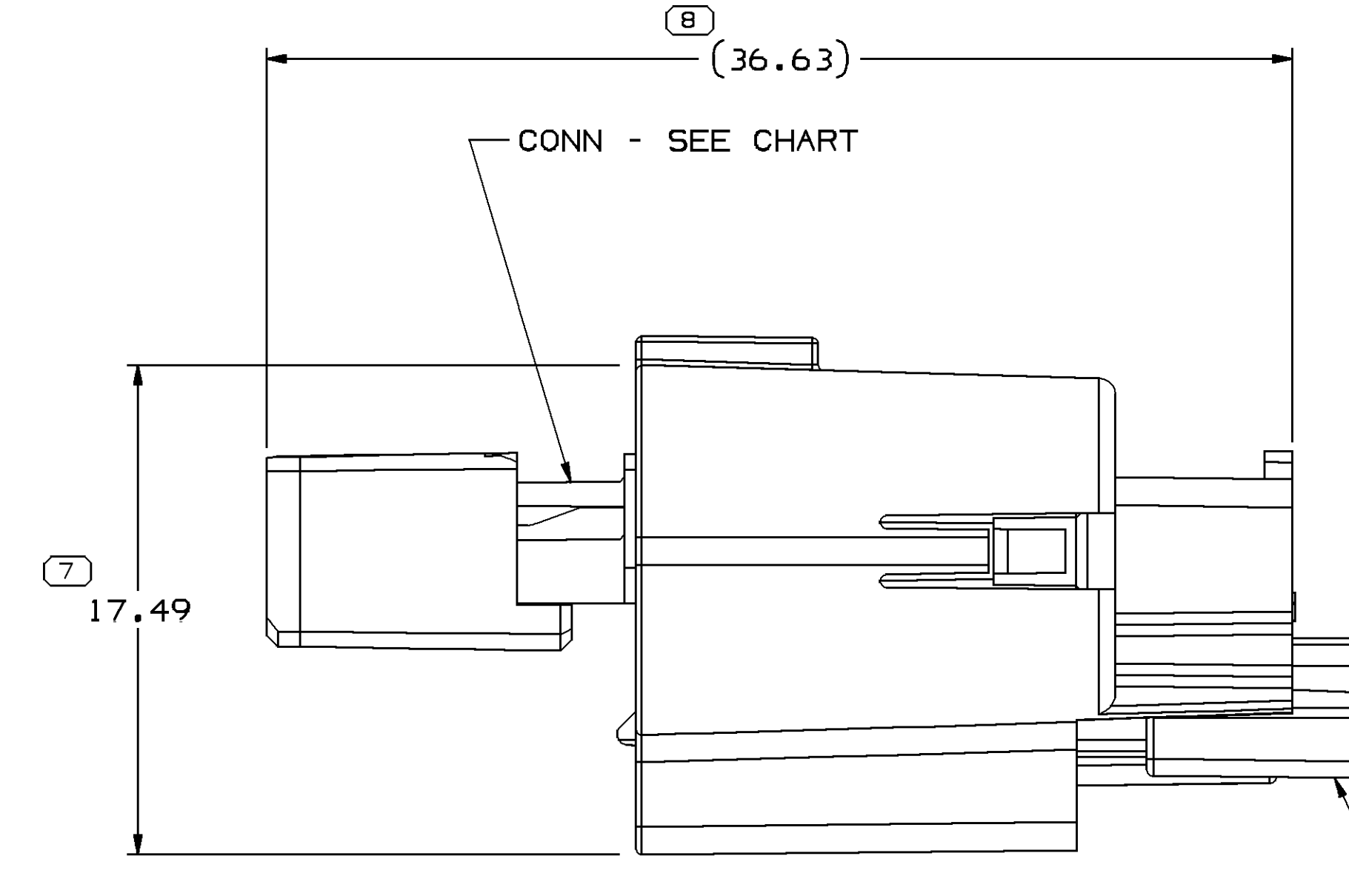
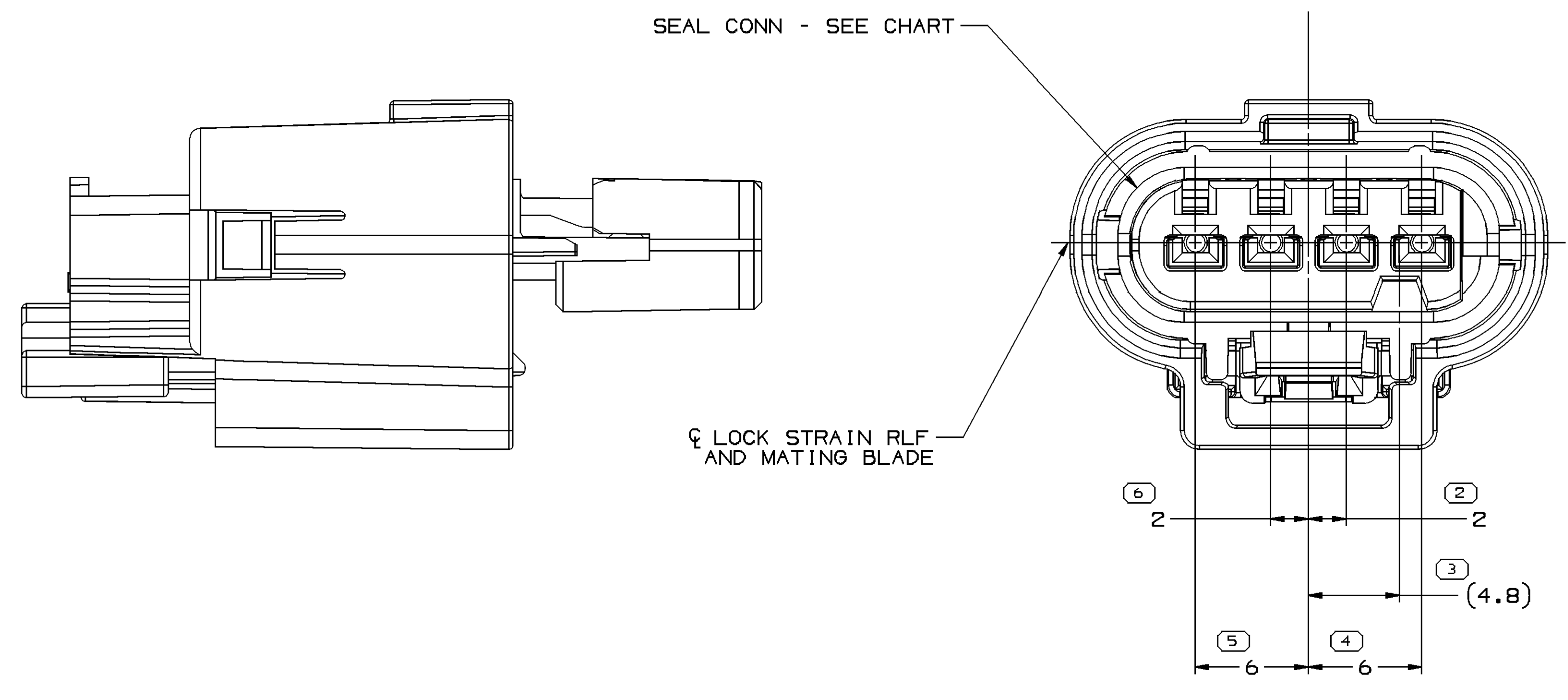
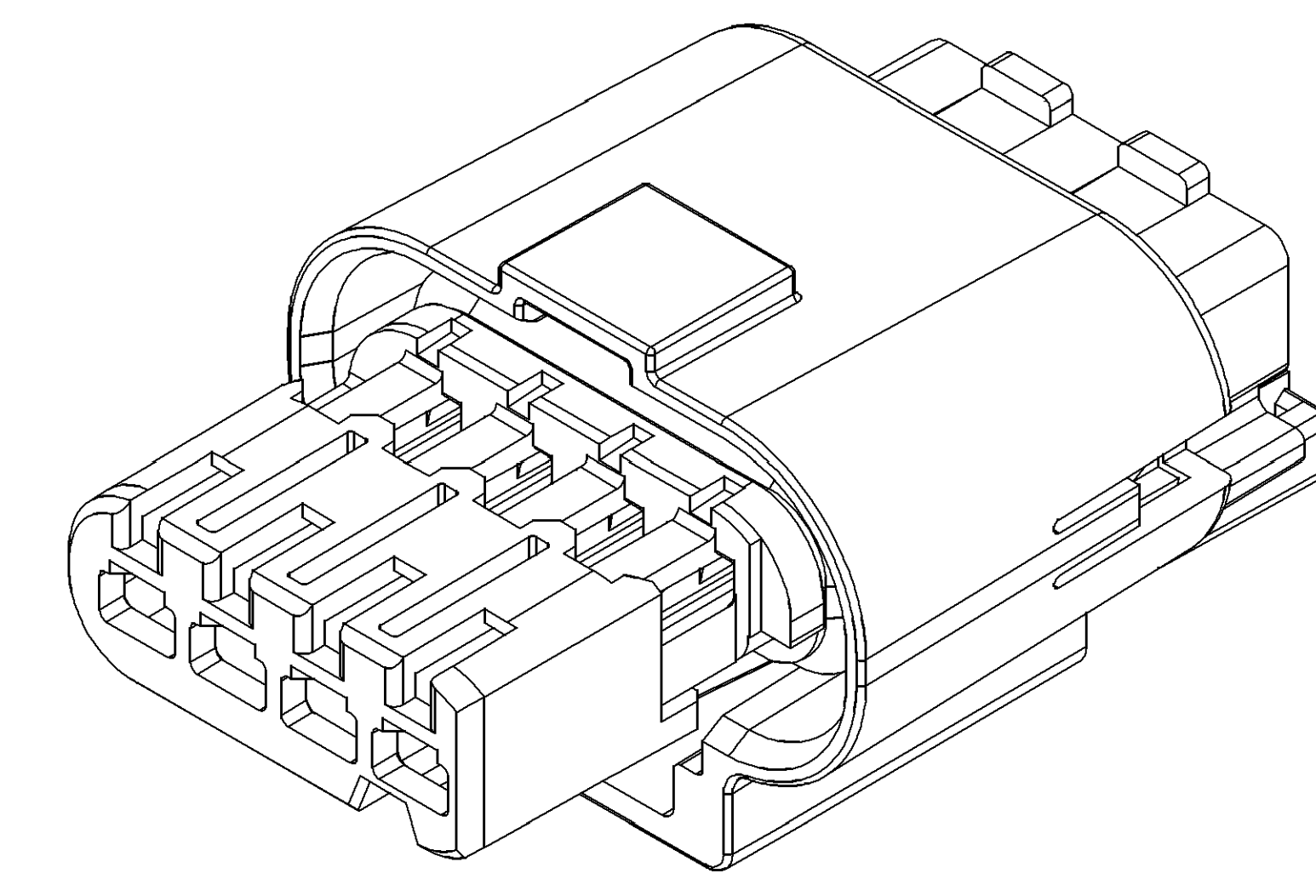
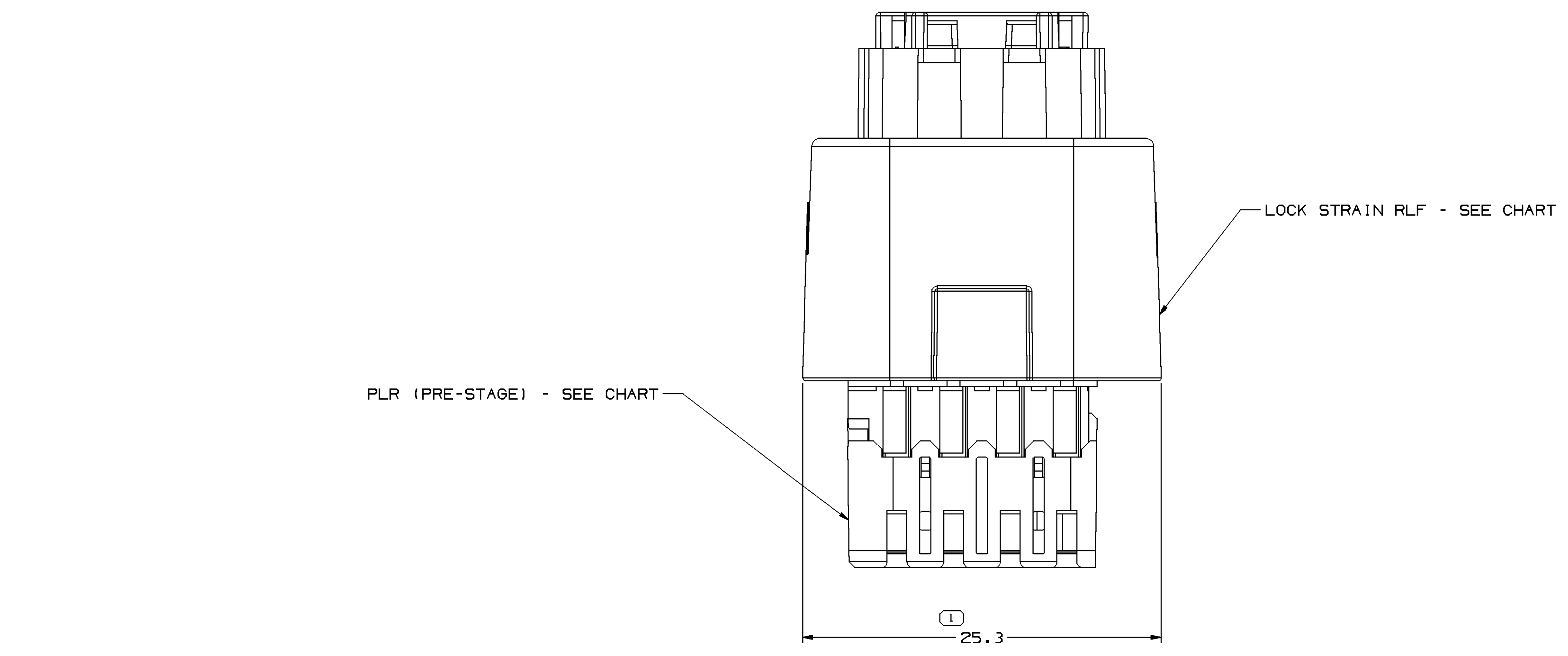


SYMBOL DEFINITION		TOTAL NO OF INSPECTIONS REQUIRED	MISSING SYMBOLS
A DIMENSION WITHOUT AN INSPECTION REPORT SYMBOL DOES NOT REQUIRE INSPECTION. IT MAY BE CONTROLLED ON THE INDIVIDUAL COMPONENT DRAWING.		8	NO MISSING SYMBOL NUMBER
	LAST NO. USED	8	

DWG STATUS				REVISION HISTORY		AUTH	DR	APVD
DATE	STG	REV	N/P	CHG	ZONE			
10JL06	R	01	-	-		282255	JAA	JVM/RAB
29AU06	R	02	-	-		284095	JAA	JAA/RAB
31OC06	R	03	-	-		286397	JS	JS/RAB
12JA07	R	03	AA	-		400094	WHC	WHC/RAB
17JA07	R	03	AB	-		400106	MM	MM/RAB
05FE07	R	03	AC	-		400410	RH	RH/RAB
03AP07	R	03	AD	-		401078	END	END/RAB



NOTES

- UNLESS OTHERWISE SPECIFIED AND/OR INDICATED:
DIMENSIONS ARE TO FACE OF VIEW SHOWN AND AUTOMATICALLY ROUNDED BY COMPUTER FOR INSPECTION (SEE MATH MODEL FOR PRECISE DIMENSIONS). FOR ALL OTHER DIMENSIONS NOT SHOWN BUT REQUIRED FOR TOOL BUILD, SEE MATH MODEL FOR PRECISE TOOL PATH DATA.
- THIS PART ACCEPTS THE FOLLOWING COMPONENTS OR EQUIVALENT:
TERMINAL - 13543114
MAX INSULATION CRIMP MUST BE LESS THAN 2.1 HIGH AND 2 WIDE.
- FOR MATING CONFIGURATION REQUIREMENTS, SEE PART NUMBER 15438865 REV 02AA, KEYING OPTION A.
- ASSEMBLY SHIPPED WITH PLR IN PRE-LOCK POSITION. EACH PLR MUST BE SNAPPED INTO FINAL LOCK POSITION UPON FULL TERMINAL INSERTION.
- PLR FORCES:
-ENGAGEMENT FORCE-WITH TERMINALS(PRE-LOCK TO FINAL):70N MIN.
-DISENGAGEMENT FORCE-WITH TERMINALS(FINAL-LOCK TO PRE-LOCK):15N MIN.
- PLR'S MAY BECOME SEATED DURING TRANSIT. IF THIS OCCURS, PLRS SHOULD BE MOVED TO THE PRE-LOCKED POSITION PRIOR TO FEMALE TERMINAL INSTALLATION.
- CPA FORCES:
-ENGAGE TO FINAL STAGE WITH MATED CONNECTORS: 45N MAX.
-DISENGAGE FROM FINAL STAGE WITH MATED CONNECTORS: 45N MAX.

PART NO	CONN	LOCK STRAIN RLF	SEAL CBL/CONN	SEAL CONN	PLR	CPA
13593465	13593466	13593467	13593469	13593468	13593470	13605599

DIMENSIONAL RANGE (MM)		SHORT ET
FROM	TO	
> 0	> 30	>100
> 30	> 70	>150
> 70	> 100	>200
> 100	> 150	>250
> 150	> 200	>300
> 200	> 250	>300
> 250	> 300	>300

DELPHI
DELPHI PACKARD ELECTRICAL/ELECTRONIC ARCHITECTURE
NAPER, OH

DR	DATE
APV01 J. OROPEZA	14JL06
APV02 J. VILLAMIL	17JL06
APV03 R. BALDWIN	18JL06
APV04	
APV05	

UNLESS OTHERWISE SPECIFIED
THIS DOCUMENT IS IN ACCORDANCE WITH ASME Y14.5M-1994
AS AMENDED BY THE IN-SUPPLY DIMENSIONING AND
TOLERANCING ADDENDUM-2009. SEPARATE WRITINGS OR
FEATURES MAY BE BASED SEPARATELY PER-ROLEE OF DWG
REFERENCES.

ALL DIMENSIONS ARE IN MILLIMETERS

(N/A) PROCESS SENSITIVE DIMENSION
DIMENSIONS ENCLOSED IN () INDICATE
REFERENCE DIMENSIONS AND NO TOLERANCE
LIMITS ARE ESTABLISHED

THIRD ANGLE PROJECTION
DO NOT SCALE
USE MATH DATA

DRAWING NAME
ASM CONN 4 F MICRO HVT BLK SLD 1.2

DRAWING NUMBER
13593465

SIZE AD SCALE 5:1 FRAME NO 1 OF 1 SHEET NO 1 OF 1 REV N/P R 03 AD