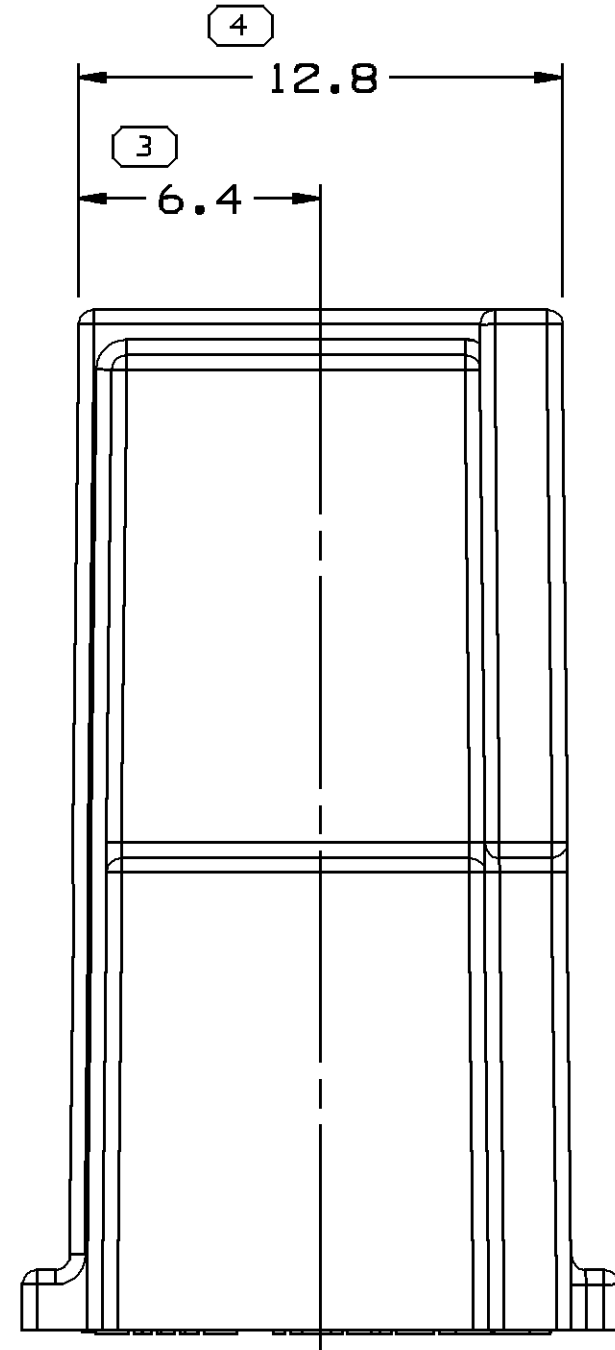
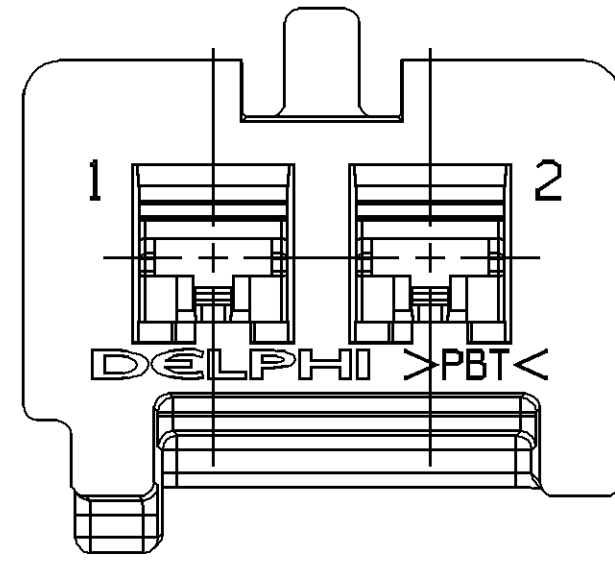
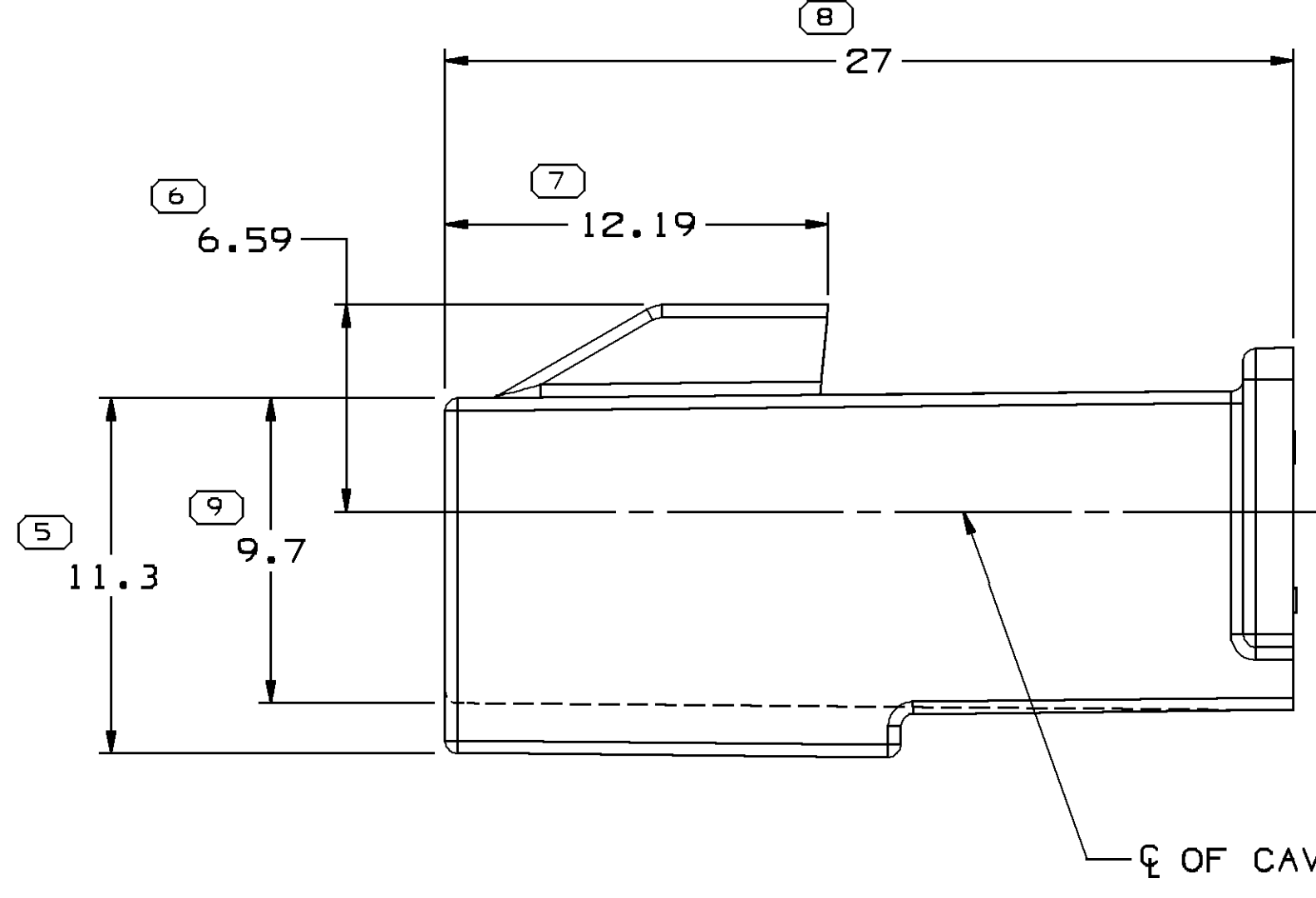
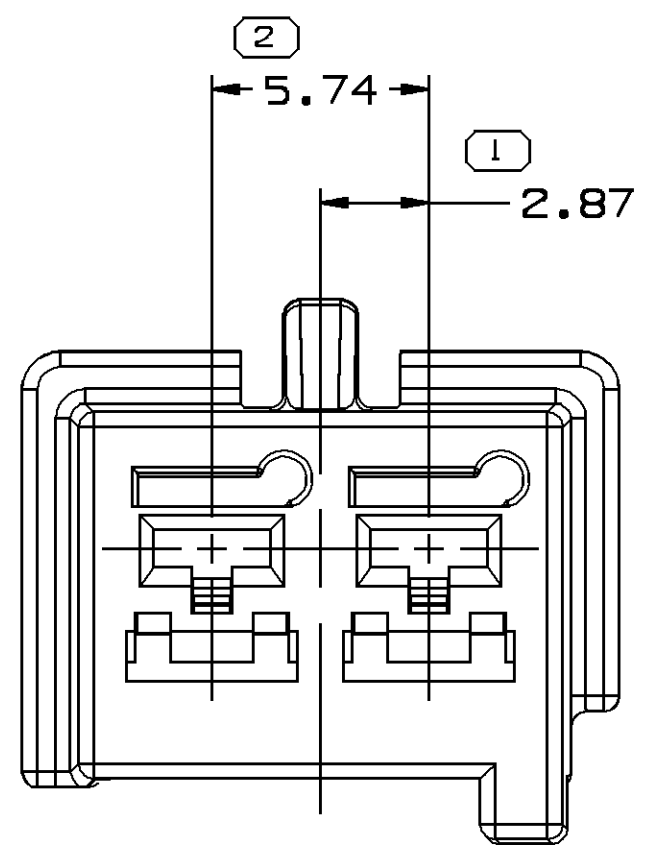
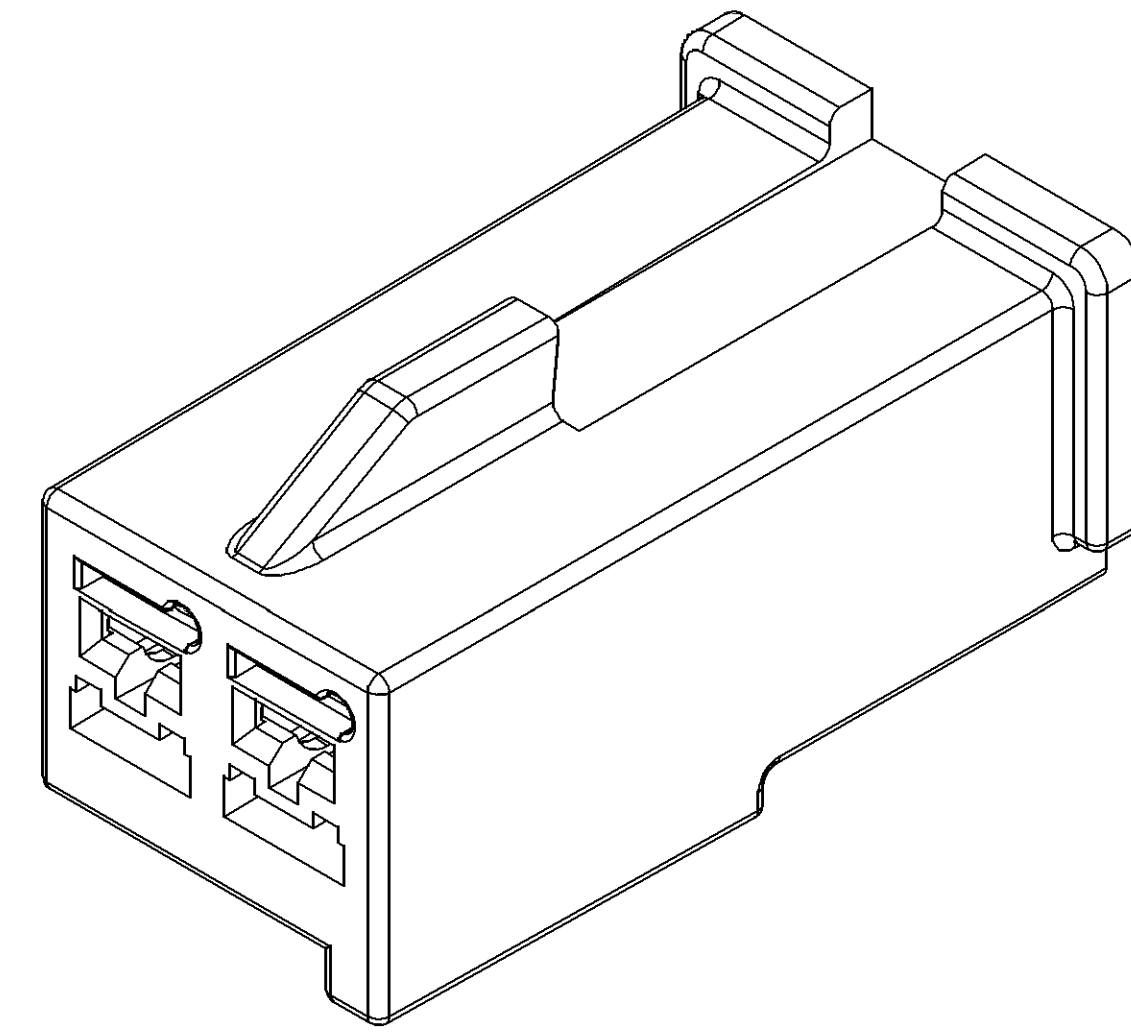
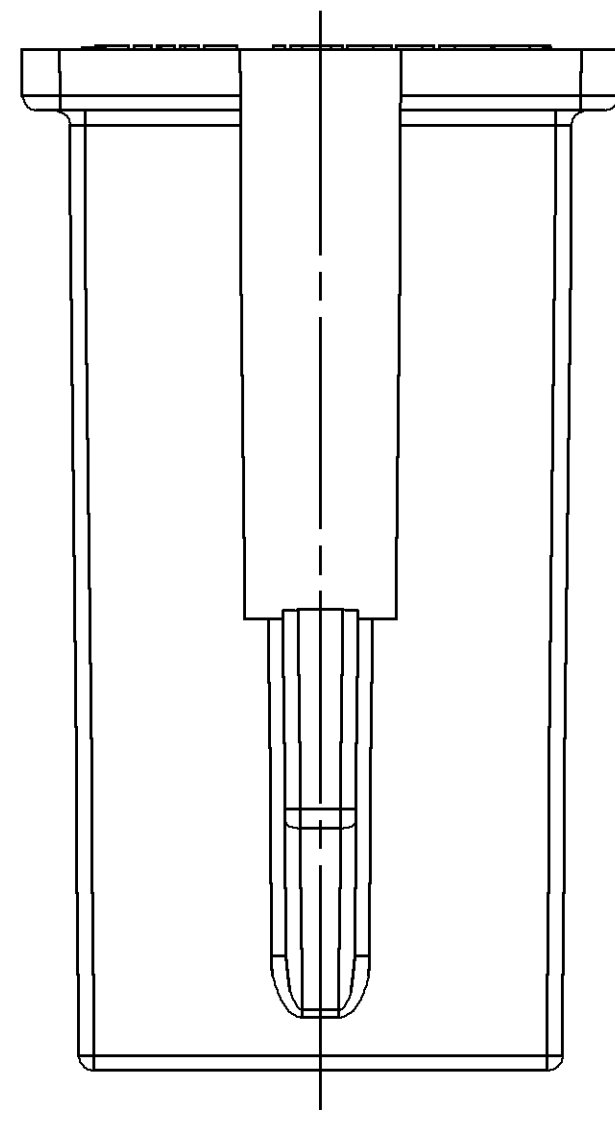


SYMBOL DEFINITION		MISSING SYMBOLS	
A DIMENSION WITHOUT AN INSPECTION REPORT SYMBOL () DOES NOT REQUIRE INSPECTION. IT MAY BE CONTROLLED ON THE INDIVIDUAL COMPONENT DRAWING.	TOTAL NO OF INSPECTIONS REQUIRED	NO MISSING SYMBOL NUMBER	
	9		
	LAST NO. USED		
	9		

DWG STATUS					REVISION HISTORY				AUTH		DR		APVD	
DATE	STG	REV	N/P	CHG	REVISION HISTORY				1	2	1	2	1	2
18JL06	R	01	-	-	RELEASED				282329	JTV	FKV	CJF		
20SE06	R	02	-	-	ADDED ESD EXCEPTIONS - REVISED NOTE 4 ADDED NOTE 6 AND REMOVED NOTCH IN STOP SURFACE				284728	MM	MM	CJF		
05DE06	R	02	AA	-	UPDATED PDM ATTRIBUTES				286764	JTZ	JAA	CJF		



NOTES

- UNLESS OTHERWISE SPECIFIED AND/OR INDICATED:
DIMENSIONS ARE TO FACE OF VIEW SHOWN AND AUTOMATICALLY ROUNDED BY COMPUTER FOR INSPECTION (SEE MATH MODEL FOR PRECISE DIMENSIONS). FOR ALL OTHER DIMENSIONS NOT SHOWN BUT REQUIRED FOR TOOL BUILD, SEE MATH MODEL FOR PRECISE TOOL PATH DATA.
- MATERIAL RECYCLING CODE PER ISO 11469. (0.75)X(0.1) CHARACTERS AS SHOWN TO BE LOCATED ON ANY EXTERIOR SURFACE.
- THIS PART IS NOT CONTROLLED FOR AUTOMATIC FEEDING.
- THIS PART ACCEPTS THE FOLLOWING COMPONENTS OR EQUIVALENT:
TERMINAL 13544535
- (0.75)X(0.1) DELPHI CORPORATE BRAND TO BE LOCATED ON ANY EXTERIOR SURFACE, PREFERABLY VISIBLE AT FINAL ASSEMBLY. OPTIONAL CONSTRUCTION FOR EXISTING TOOLING MAY BE "PED".
- TERMINAL POSITION REQUIRES THE USE OF A DELPHI PACKARD NORTH AMERICA ELECTRICAL TEST HOLDER OR A DELPHI PACKARD NORTH AMERICA APPROVED EQUIVALENT. FAILURE TO DO SO CAN RESULT IN UNSEATED TERMINALS.

DWG TYPE		PART DRAWING							
STYLE									
VOLUME (CM ³)	DISTR CODE								
2.097	D								
UNLESS OTHERWISE SPECIFIED									
THIS DOCUMENT IS IN ACCORDANCE WITH ASME Y14.5M-1994 AS AMENDED BY THE 3M GLOBAL DIMENSIONING AND TOLERANCING ADDENDUM-2001. SEPARATE PATTERNS OF FEATURES MAY BE DATED SEPARATELY REGARDLESS OF DATUM REFERENCES.									
ALL DIMENSIONS ARE IN MILLIMETERS									
REFERENCE									
DIMENSIONS ENCLOSED IN () INDICATE REFERENCE DIMENSIONS AND NO TOLERANCE LIMITS ARE ESTABLISHED									
DIMENSIONAL RANGE (MM)									
FROM	> 0	> 20	> 30	> 70	> 100	> 150	> 200	> 250	> 300
TO	20	30	70	100	150	200	250	300	400
TOLERANCE UNLESS OTHERWISE SPECIFIED									
	±0.15	±0.2	±0.3	±0.4	±0.5	±0.6	±0.8	±1	±1.2
ANGULAR TOLERANCE ±2°									
THIRD ANGLE PROJECTION		DO NOT SCALE							
USE MATH DATA		UNIGRAPHICS							

DELPHI
DELPHI PACKARD ELECTRIC SYSTEMS
WARREN, OH

DR	DATE					
APVD1 JOSE LUIS TAPIA	18JL06					
APVD2 FRANCISCO KOPCA	20JL06					
APVD3 CAROL J. FITCH	25JL06					
APVD4						
APVD5						
SUBSTANCES OF CONCERN AND RECYCLED CONTENT PER DELPHI 10949001						
MATERIAL M4695002 PBT BLK						
DRAWING NAME						
CONN 2 F 6T FBT 280 BLK						
DRAWING NUMBER						
13593757						
SIZE	SCALE	FRAME NO	SHEET NO	STG	REV	N/P
A1	5:1	1 OF 1	1 OF 1	R	02	AA