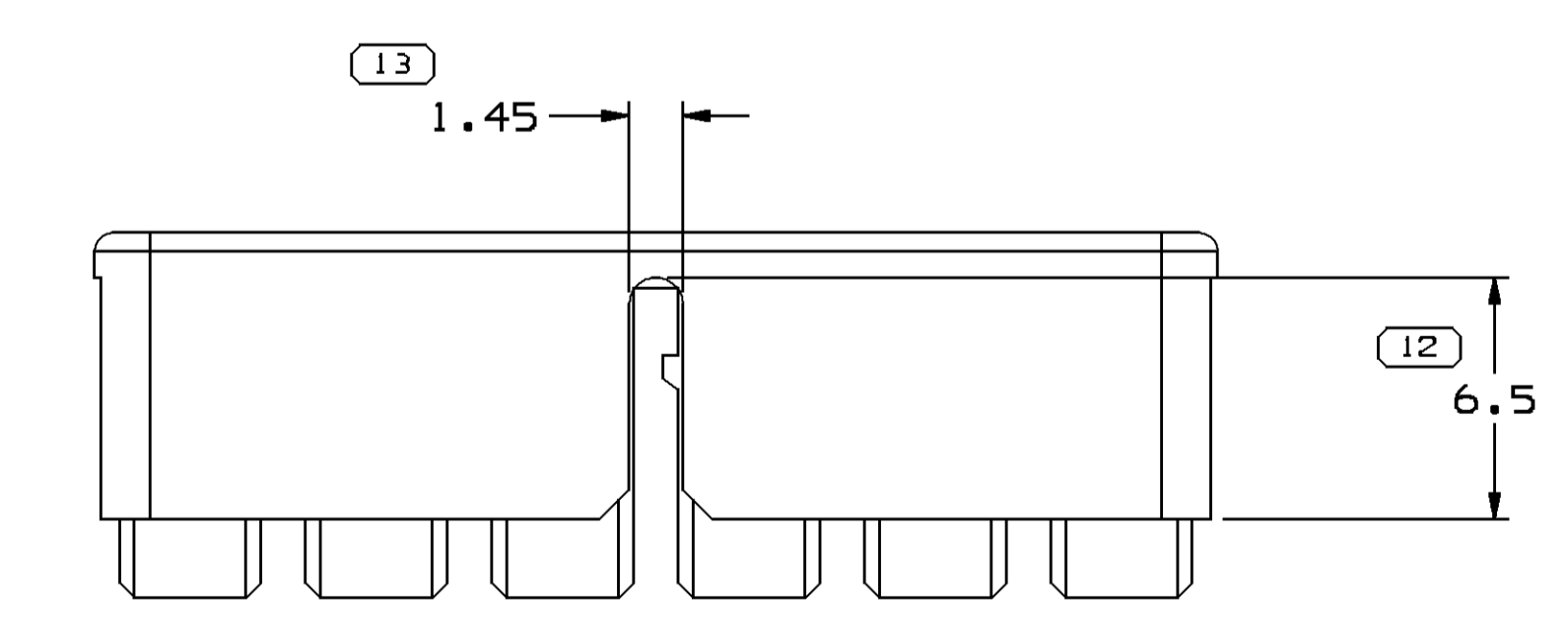
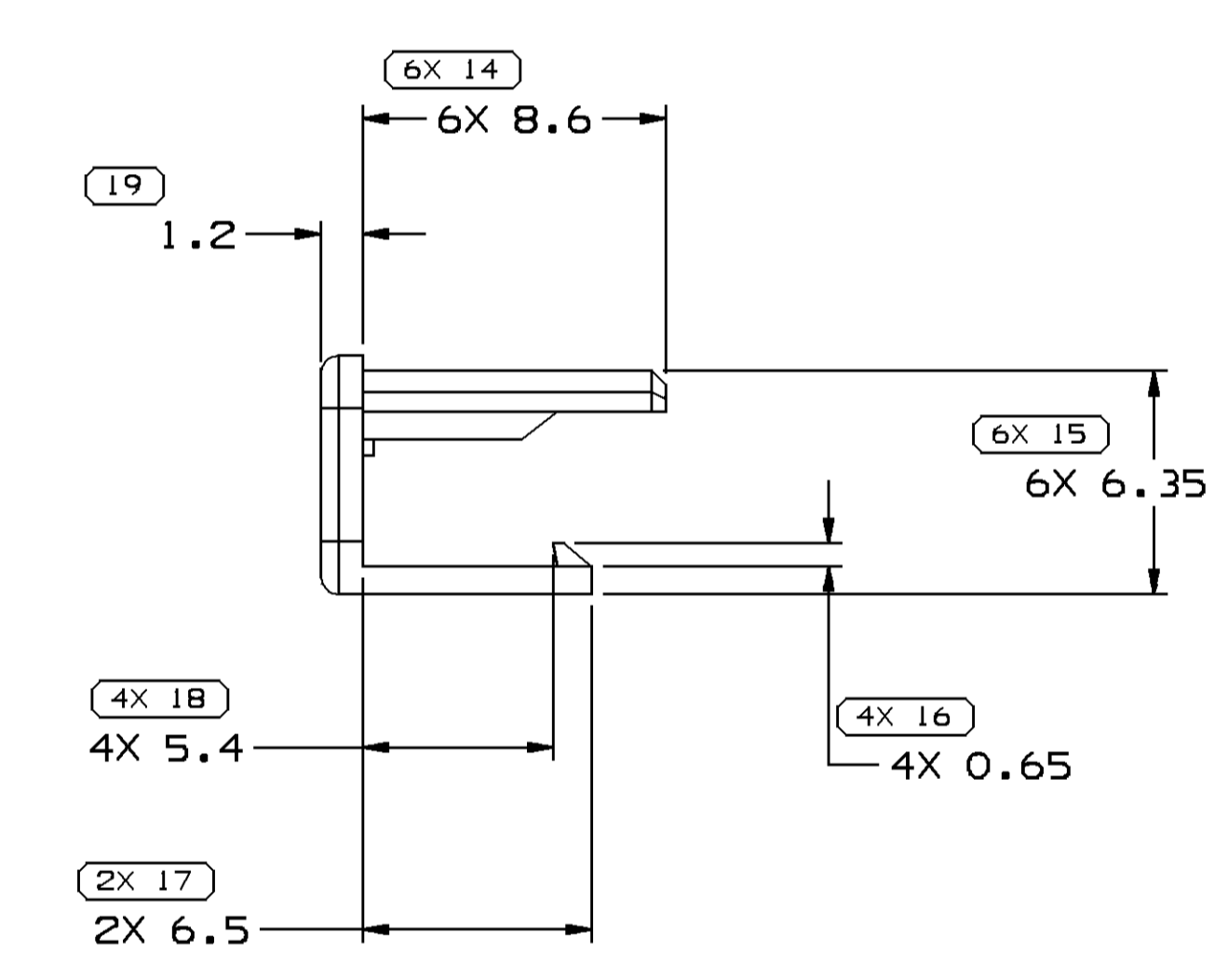
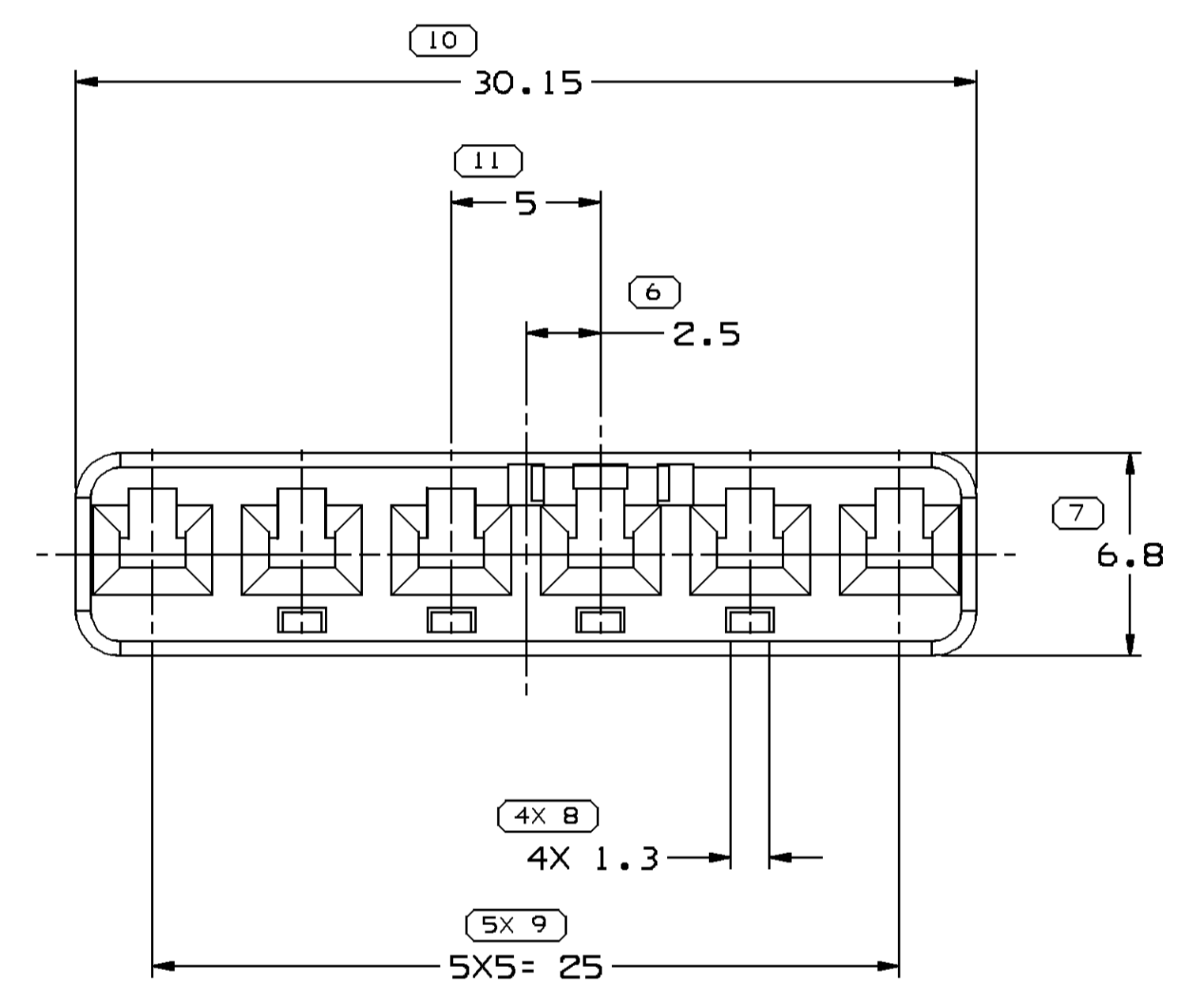
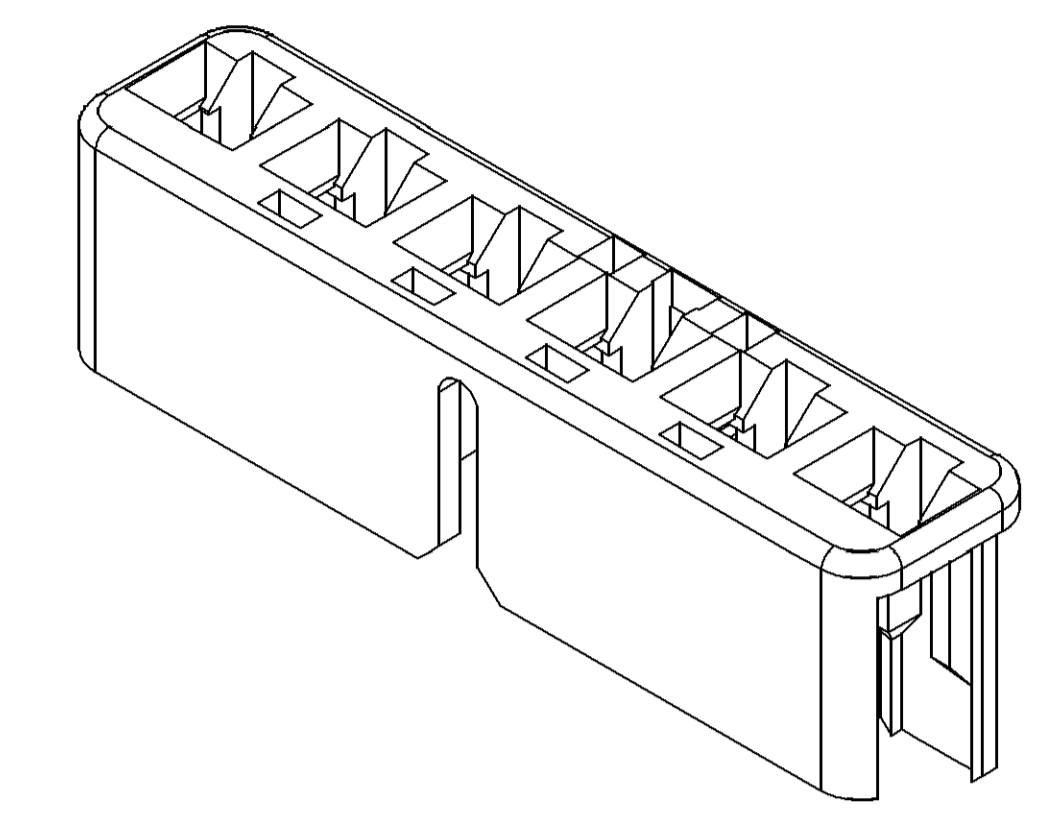
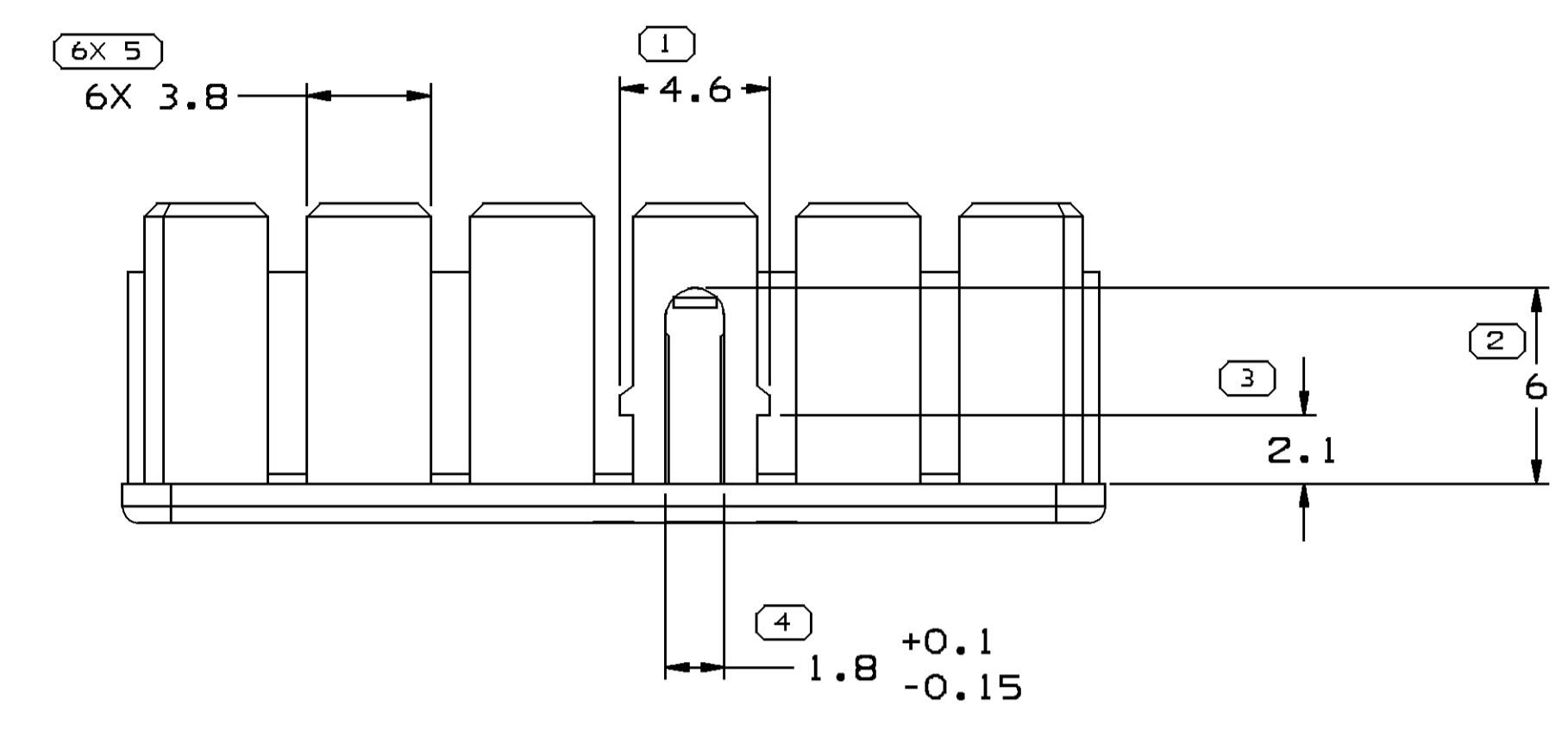


SYMBOL DEFINITION		MISSING SYMBOLS	
A DIMENSION WITHOUT AN INSPECTION REPORT SYMBOL () DOES NOT REQUIRE INSPECTION. IT MAY BE CONTROLLED ON THE INDIVIDUAL COMPONENT DRAWING.	TOTAL NO OF INSPECTIONS REQUIRED	NO MISSING SYMBOL NUMBER	48
	LAST NO. USED		19

DWG STATUS				REVISION HISTORY				AUTH	
DATE	STG	REV	N/P	CHG	ZONE				
03JL06	R	01	-	-	-	RELEASED		282408	JWG/YJW
28DE06	R	01	AA	-	-	REDRAWN TO PD		288246	



- NOTES
- UNLESS OTHERWISE SPECIFIED AND/OR INDICATED:
DIMENSIONS ARE TO FACE OF VIEW SHOWN AND AUTOMATICALLY ROUNDED BY COMPUTER FOR INSPECTION (SEE MATH MODEL FOR PRECISE DIMENSIONS). FOR ALL OTHER DIMENSIONS NOT SHOWN BUT REQUIRED FOR TOOL BUILD, SEE MATH MODEL FOR PRECISE TOOL PATH DATA.
 - THIS PART ACCEPTS THE FOLLOWING COMPONENTS OR EQUIVALENT:
CONN 13594406
SEAL 13594408
 - THIS PART USED IN ASSEMBLY 13594404

DWG TYPE		PART DRAWING																																																	
STYLE		DISTR CODE	D																																																
VOLUME 10/P	0,524																																																		
UNLESS OTHERWISE SPECIFIED THIS DOCUMENT IS IN ACCORDANCE WITH ASME Y14.5M-1994 AS MODIFIED BY THE IN-SUPPLY DIMENSIONING AND TOLERANCE PRACTICE (ASME Y14.5M-2009). SEPARATE NOTATIONS OF FEATURES MAY BE OBTAINED SEPARATELY PER DELPHI 10947001																																																			
ALL DIMENSIONS ARE IN MILLIMETERS																																																			
REFERENCE																																																			
<table border="1"> <thead> <tr> <th>DIMENSIONAL RANGE (MM)</th> <th>CHART</th> <th>P</th> </tr> </thead> <tbody> <tr> <td>FROM > 0</td> <td>> 30</td> <td>> 100</td> </tr> <tr> <td>TO</td> <td>30</td> <td>70</td> </tr> <tr> <td></td> <td>70</td> <td>100</td> </tr> <tr> <td></td> <td>100</td> <td>150</td> </tr> <tr> <td></td> <td>150</td> <td>200</td> </tr> <tr> <td></td> <td>200</td> <td>250</td> </tr> <tr> <td></td> <td>250</td> <td>300</td> </tr> <tr> <td></td> <td>300</td> <td>400</td> </tr> <tr> <td colspan="3">TOLERANCE UNLESS OTHERWISE SPECIFIED</td> </tr> <tr> <td></td> <td>±0.1</td> <td>±0.2</td> </tr> <tr> <td></td> <td>±0.3</td> <td>±0.4</td> </tr> <tr> <td></td> <td>±0.5</td> <td>±0.6</td> </tr> <tr> <td></td> <td>±0.8</td> <td>±1</td> </tr> <tr> <td></td> <td>±1</td> <td>±1.2</td> </tr> <tr> <td colspan="3">ANGULAR TOLERANCE ±1°</td> </tr> </tbody> </table>				DIMENSIONAL RANGE (MM)	CHART	P	FROM > 0	> 30	> 100	TO	30	70		70	100		100	150		150	200		200	250		250	300		300	400	TOLERANCE UNLESS OTHERWISE SPECIFIED				±0.1	±0.2		±0.3	±0.4		±0.5	±0.6		±0.8	±1		±1	±1.2	ANGULAR TOLERANCE ±1°		
DIMENSIONAL RANGE (MM)	CHART	P																																																	
FROM > 0	> 30	> 100																																																	
TO	30	70																																																	
	70	100																																																	
	100	150																																																	
	150	200																																																	
	200	250																																																	
	250	300																																																	
	300	400																																																	
TOLERANCE UNLESS OTHERWISE SPECIFIED																																																			
	±0.1	±0.2																																																	
	±0.3	±0.4																																																	
	±0.5	±0.6																																																	
	±0.8	±1																																																	
	±1	±1.2																																																	
ANGULAR TOLERANCE ±1°																																																			
<table border="1"> <thead> <tr> <th>THIRD ANGLE PROJECTION</th> <th>DO NOT SCALE</th> <th>USE MATH DATA</th> </tr> </thead> <tbody> <tr> <td></td> <td></td> <td></td> </tr> </tbody> </table>				THIRD ANGLE PROJECTION	DO NOT SCALE	USE MATH DATA																																													
THIRD ANGLE PROJECTION	DO NOT SCALE	USE MATH DATA																																																	

DELPHI
DELPHI PACK/ARD ELECTRIC SYSTEMS
WVREN, OH

DR	DATE
APV01 JIANWEI GUO	03JL06
APV02 YA JUN WU	03JL06
APV03 JIANWEI GUO	03JL06
APV04	
APV05	

SUBSTANCES OF CONCERN AND RECYCLED CONTENT PER DELPHI 10947001

WATERLOO W4629006 PBT GF20 YEL

DRAWING NAME
LOCK TPA/CLIP YEL

DRAWING NUMBER
13594407

SIZE	SCALE	FRAME NO	SHEET NO	STG	REV	N/P
A0	5:1	1	1	1	01	AA