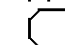
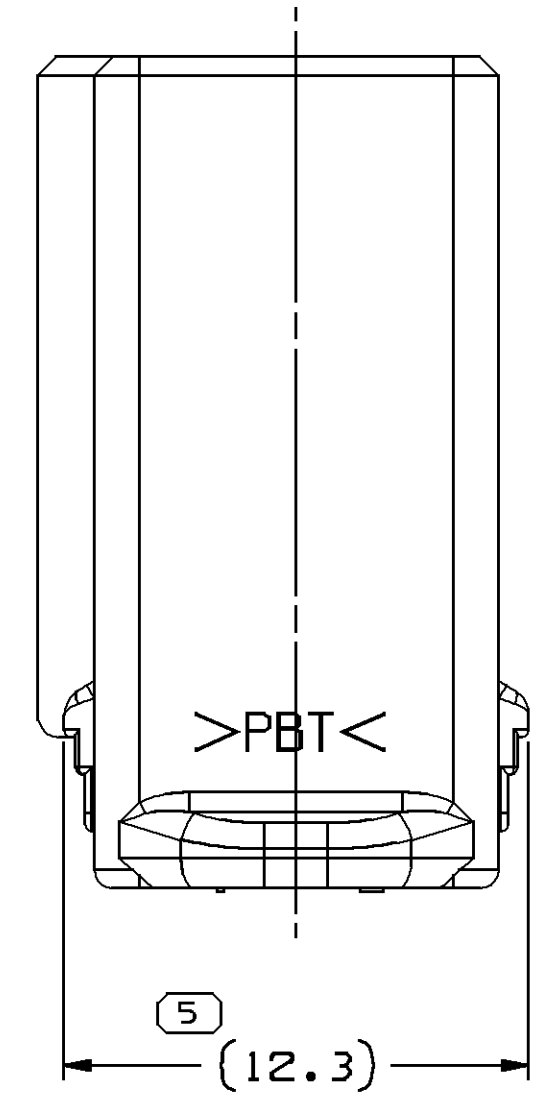
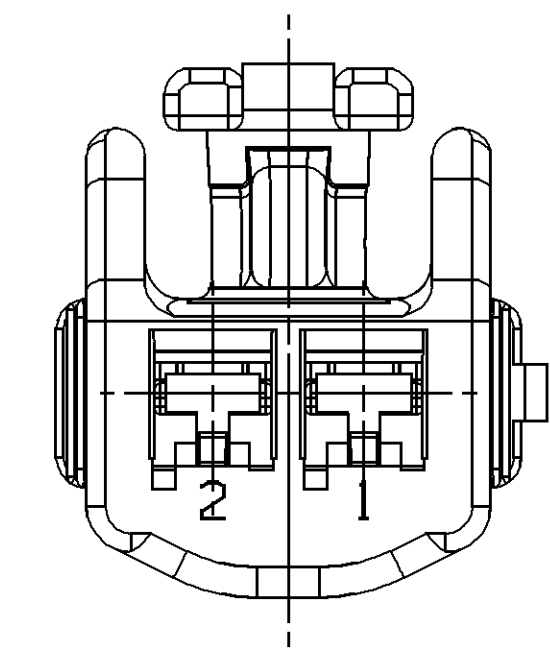
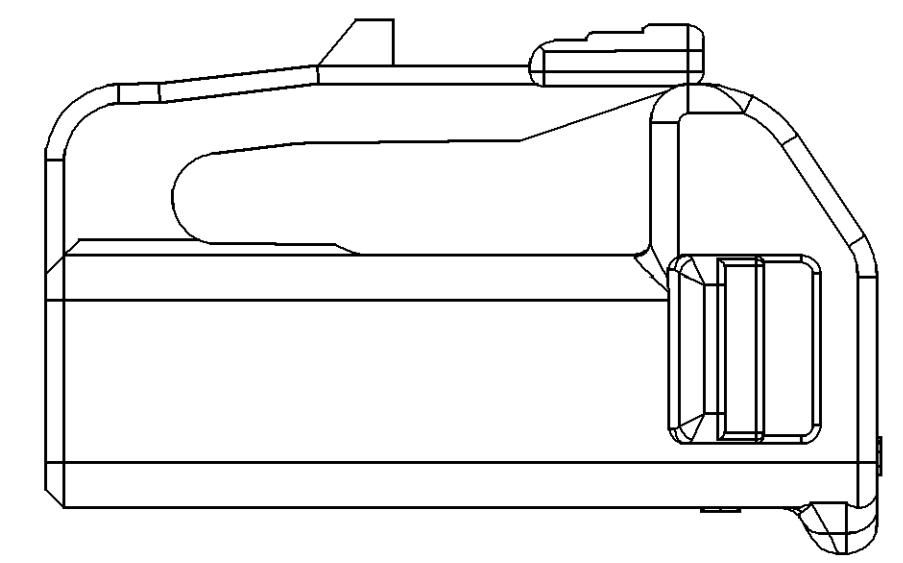
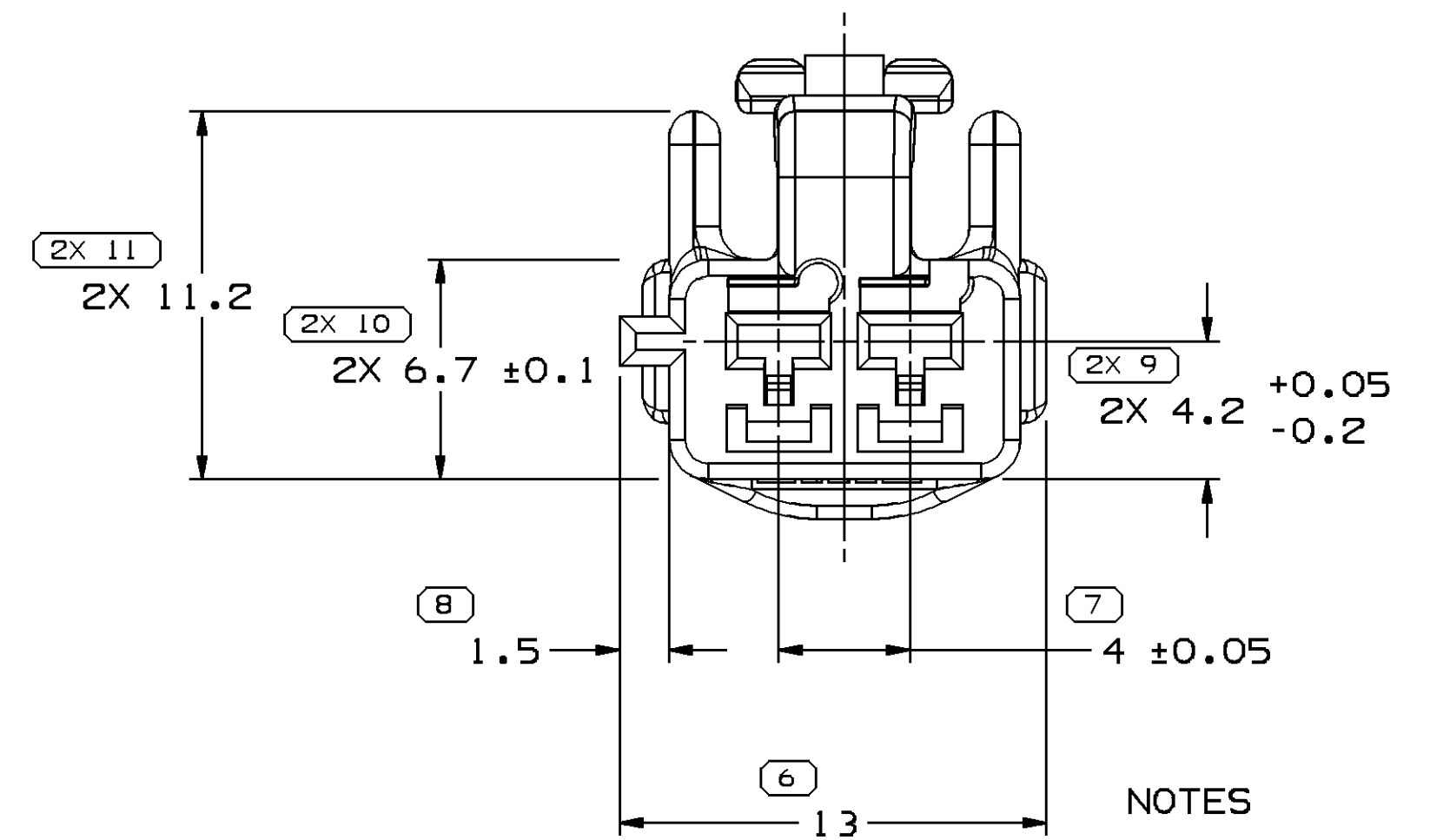
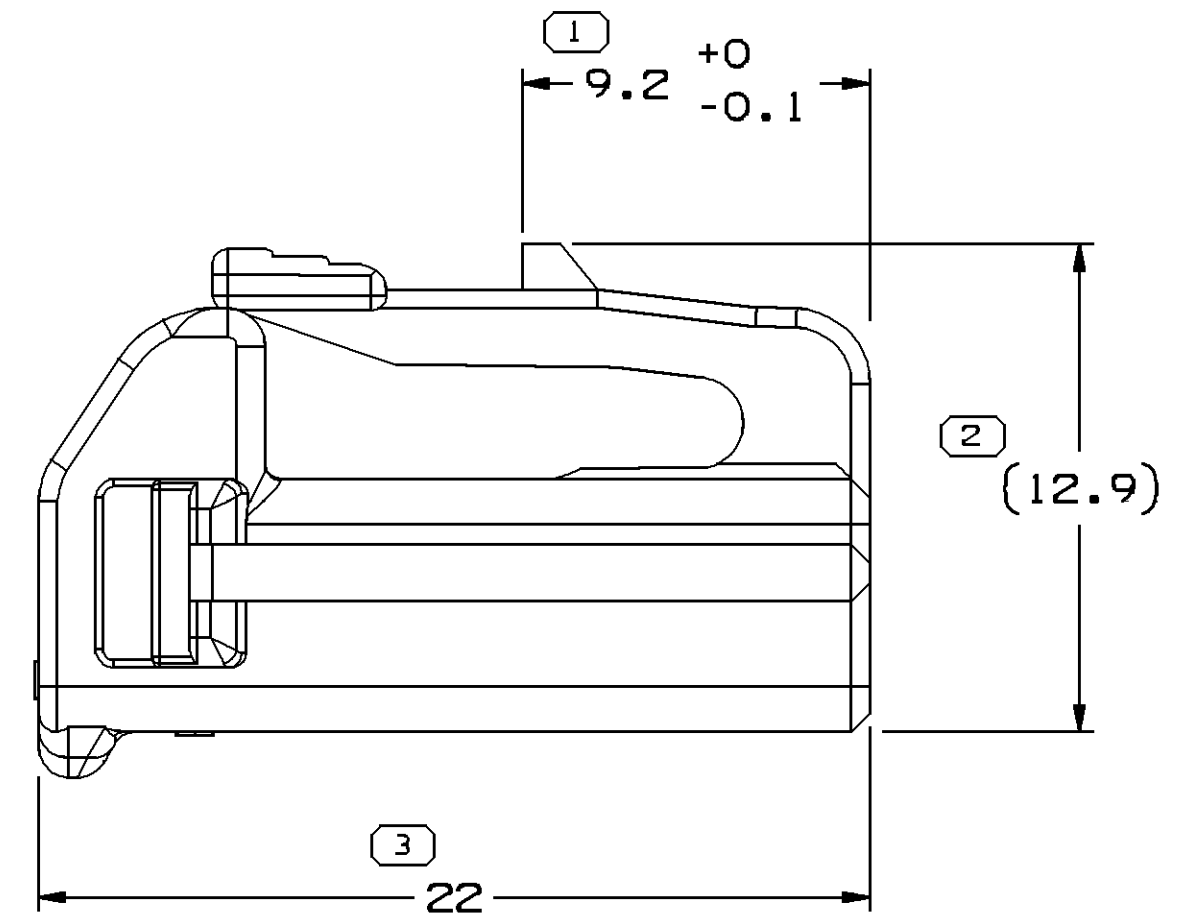
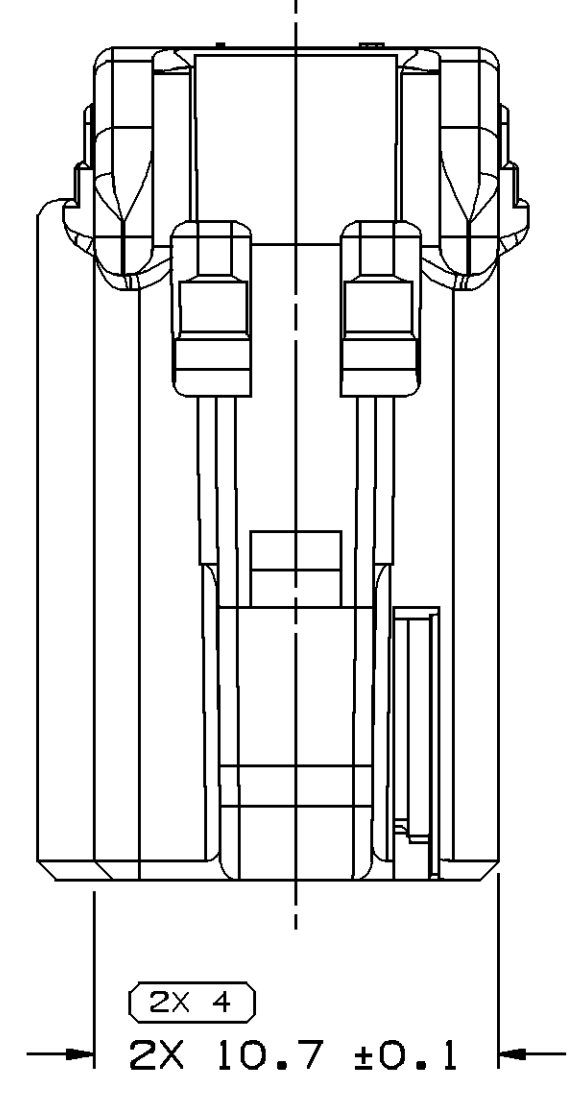
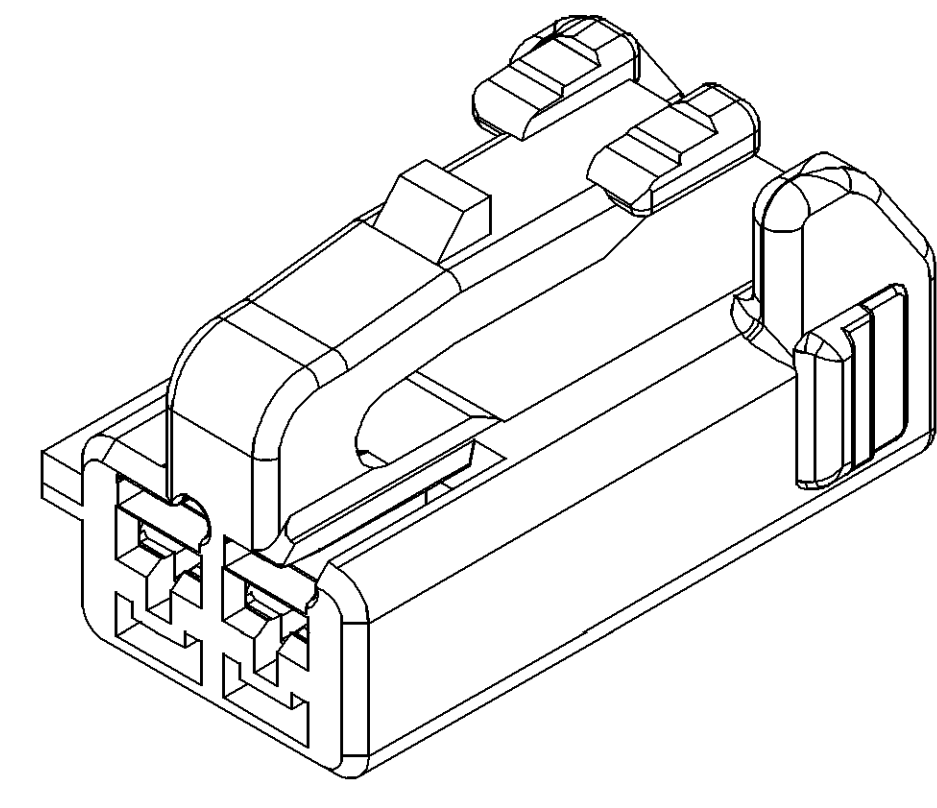


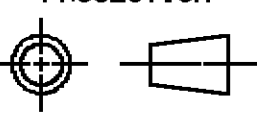
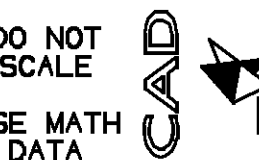

SYMBOL DEFINITION		MISSING SYMBOLS	
A DIMENSION WITHOUT AN INSPECTION REPORT SYMBOL  DOES NOT REQUIRE INSPECTION. IT MAY BE CONTROLLED ON THE INDIVIDUAL COMPONENT DRAWING.	TOTAL NO OF INSPECTIONS REQUIRED	15	NO MISSING SYMBOL NUMBER
	LAST NO. USED	11	

DWG STATUS				REVISION HISTORY				AUTH		DR		APVD	
DATE	STG	REV	N/P	CHG	ZONE								
04DE06	R	01	-	-		WAS PE158091. ADDED NOTE 6 AND RELEASED				287495	MB	MB	JRM
15DE06	R	02	-	-		UPDATED PDM ATTRIBUTES				287810	JS	JS	JRM
17JA07	R	02	AA	-		UPDATED PDM ATTRIBUTES				400090	JS	JS	JRM
09FE07	R	03	-	-		UPDATED WITH LATEST CAVITY STANDARD				400486	LLJ	LLJ	JRM
27FE07	R	04	-	-		UPDATED WITH LATEST CAVITY STANDARD				400649	JMR	JMR	JRM
13MR07	R	04	AA	-		REVISED TOLERANCE ON DIM 9 & ADDED OPTIONAL CONSTRUCTION TO MATERIAL RECYCLING AND DELPHI CORPORATE BRAND LOGO NOTES.				400786	LLJ	LLJ	JRM
27AP07	R	05	-	-		UPDATED WITH LATEST CAVITY STANDARD				401243	LLJ	LLJ	JRM



- NOTES
- UNLESS OTHERWISE SPECIFIED AND/OR INDICATED:
DIMENSIONS ARE TO FACE OF VIEW SHOWN AND AUTOMATICALLY ROUNDED BY COMPUTER FOR INSPECTION (SEE MATH MODEL FOR PRECISE DIMENSIONS). FOR ALL OTHER DIMENSIONS NOT SHOWN BUT REQUIRED FOR TOOL BUILD, SEE MATH MODEL FOR PRECISE TOOL PATH DATA.
 - REFERENCE MATING COMPONENTS OR EQUIVALENT:
CONNECTOR YAZAKI PART NUMBER 7282-1020
 - THIS PART ACCEPTS THE FOLLOWING COMPONENTS OR EQUIVALENT:
TERMINAL 13592500
 - MATERIAL RECYCLING CODE PER ISO 11469. (1)X(0.1) CHARACTERS AS SHOWN TO BE LOCATED ON ANY EXTERIOR SURFACE. OPTIONAL CONSTRUCTION IS NO MATERIAL RECYCLING CODE.
 - (1)X(0.1) DELPHI CORPORATE BRAND TO BE LOCATED ON ANY EXTERIOR SURFACE, PREFERABLY VISIBLE AT FINAL ASSEMBLY. OPTIONAL CONSTRUCTION IS NO DELPHI CORPORATE BRAND LOGO.
 - TERMINAL POSITION REQUIRES THE USE OF A DELPHI PACKARD NORTH AMERICA ELECTRICAL TEST HOLDER OR A DELPHI PACKARD NORTH AMERICA APPROVED EQUIVALENT. FAILURE TO DO SO CAN RESULT IN UNSEATED TERMINALS.

DIMENSIONAL RANGE (MM)		CHART ET	
FROM	> 0	> 30	> 100
TO	> 20	> 70	> 200
TOLERANCE UNLESS OTHERWISE SPECIFIED		ANGULAR TOLERANCE ±2°	
	±0.15	±0.2	±0.3
	±0.4	±0.5	±0.6
	±0.8	±1	±1.2

DWG TYPE		PART DRAWING	
STYLE			
VOLUME (CPI)	1.227	DISTR CODE	D
UNLESS OTHERWISE SPECIFIED			
THIS DOCUMENT IS IN ACCORDANCE WITH ASME Y14.5M-1994 AS AMENDED BY THE 2001 GLOBAL DIMENSIONING AND TOLERANCING ADDENDUM-2001. SEPARATE PATTERNS OF FEATURES MAY BE GAGED SEPARATELY REGARDLESS OF DATUM REFERENCES.			
ALL DIMENSIONS ARE IN MILLIMETERS			
REFERENCE			
THIRD ANGLE PROJECTION		DO NOT SCALE	
			
		USE MATH DATA	
			

DELPHI
DELPHI PACKARD ELECTRICAL/ELECTRONIC ARCHITECTURE
WARREN, OH

DR	DATE					
APVD1 M. BASHKIN	04DE06					
APVD2 M. BASHKIN	04DE06					
APVD3 JOHN MORELLO	04DE06					
APVD4						
APVD5						
SUBSTANCES OF CONCERN AND RECYCLED CONTENT PER DELPHI 10945001						
MATERIAL M4695001 PBT NAT						
DRAWING NAME						
CONN 2 F 090 11 FBT NAT						
DRAWING NUMBER						
13597206						
SIZE	SCALE	FRAME NO	SHEET NO	STG	REV	N/P
A1	5:1	1 OF 1	1 OF 1	R	05	-