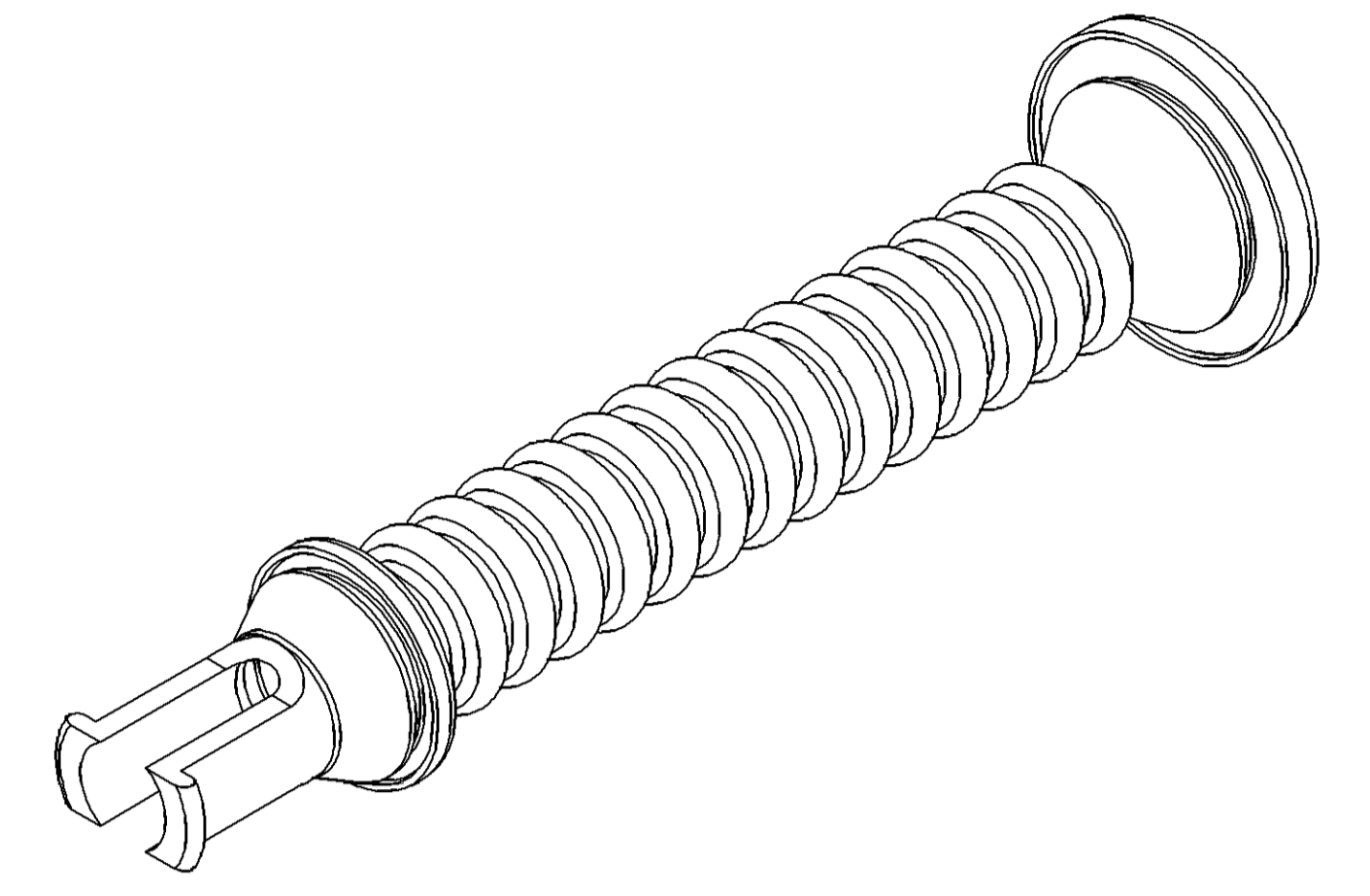
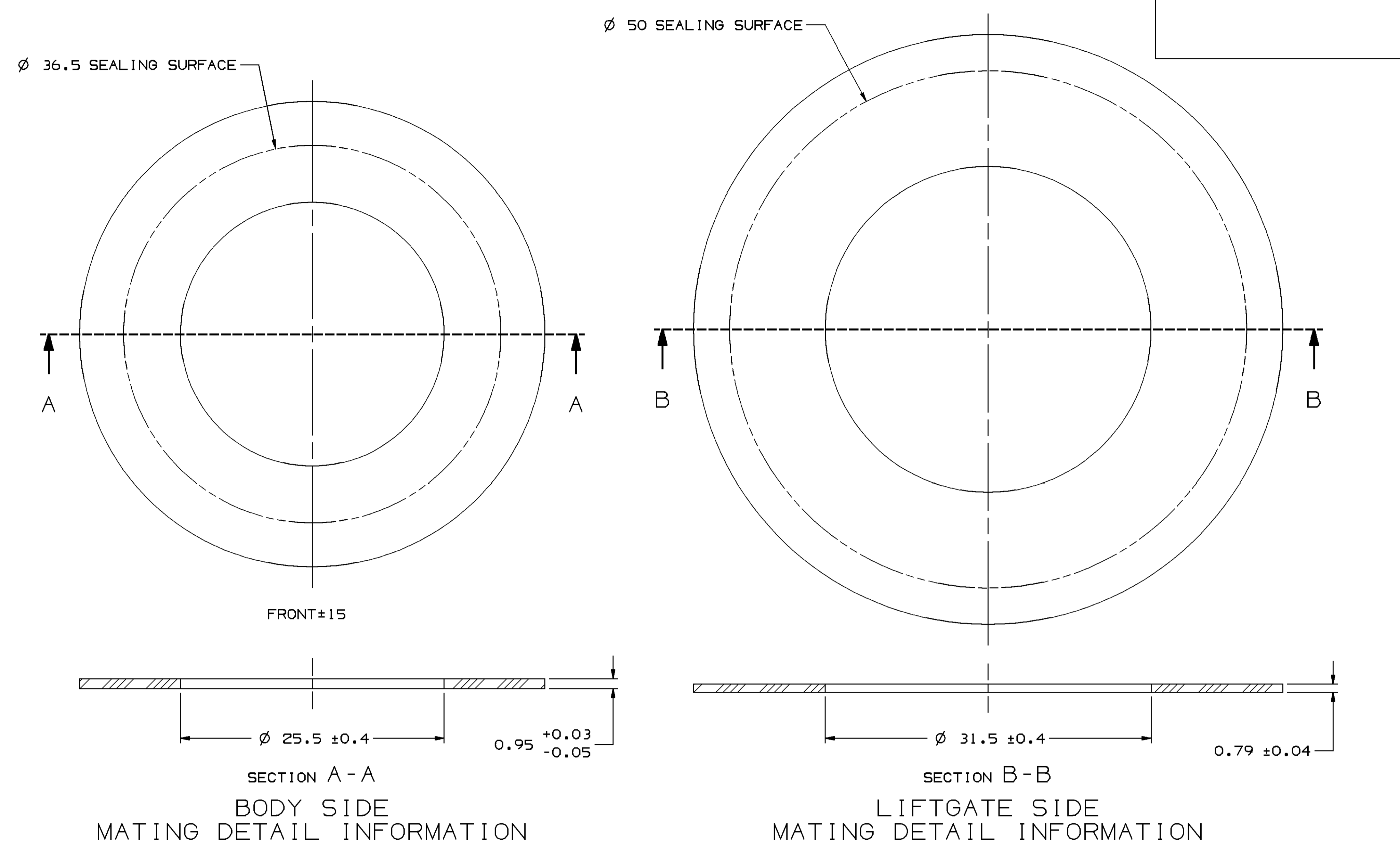
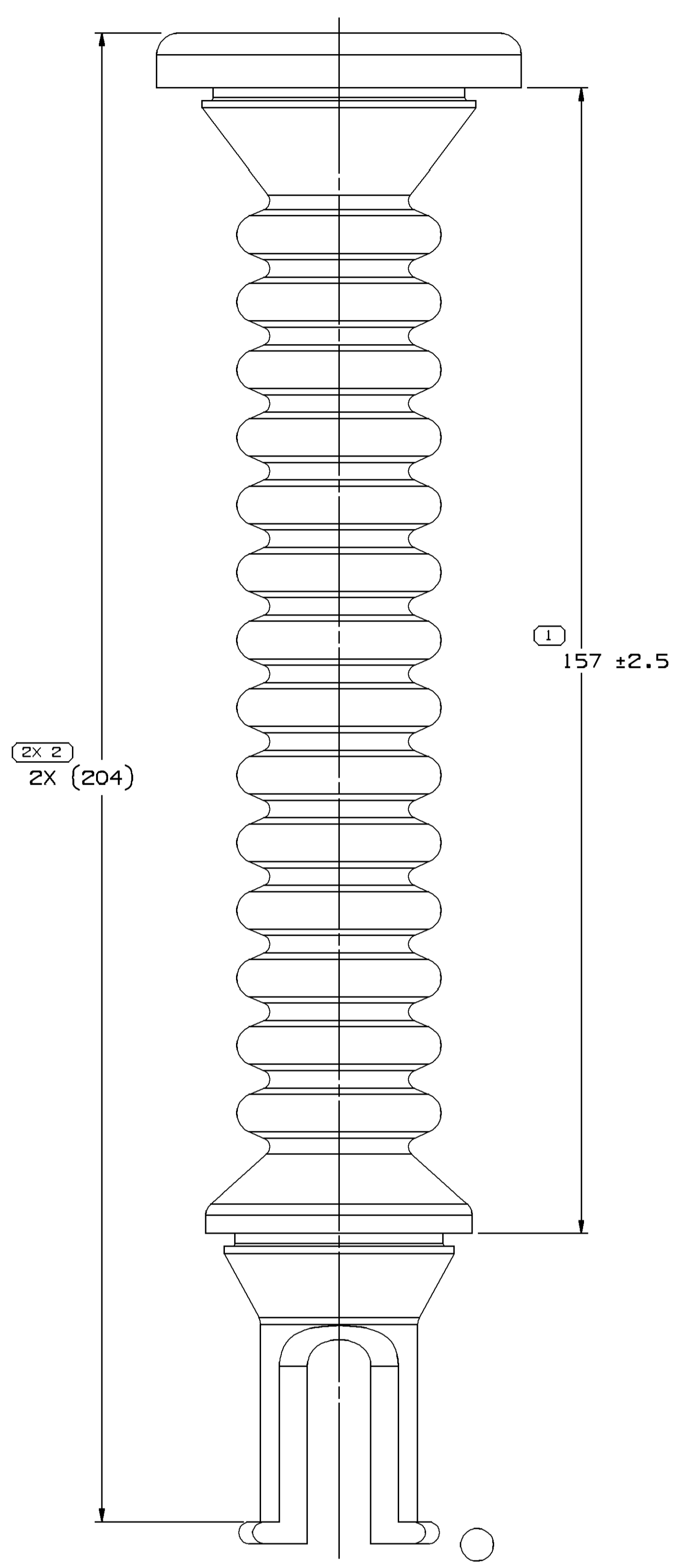
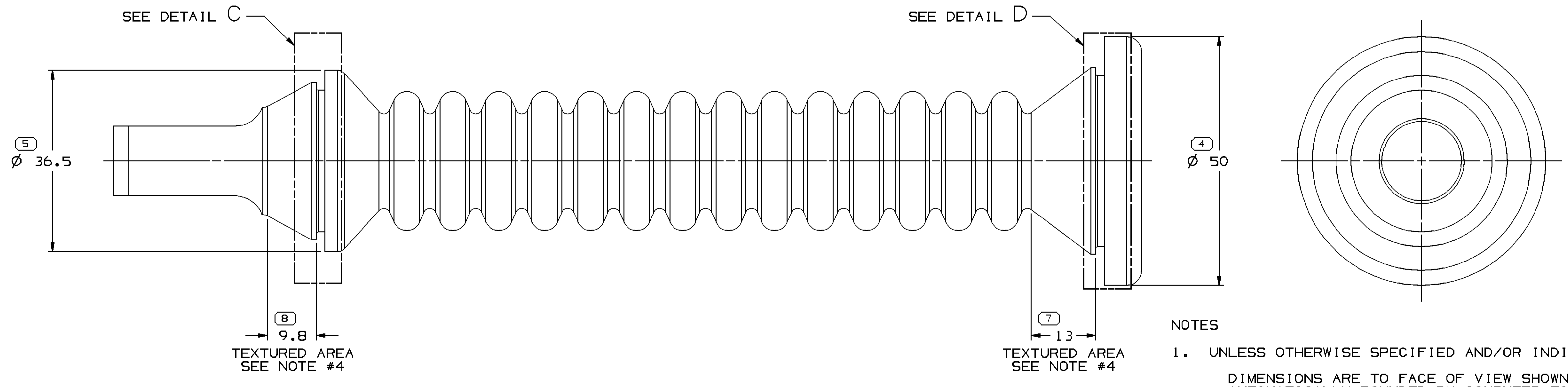
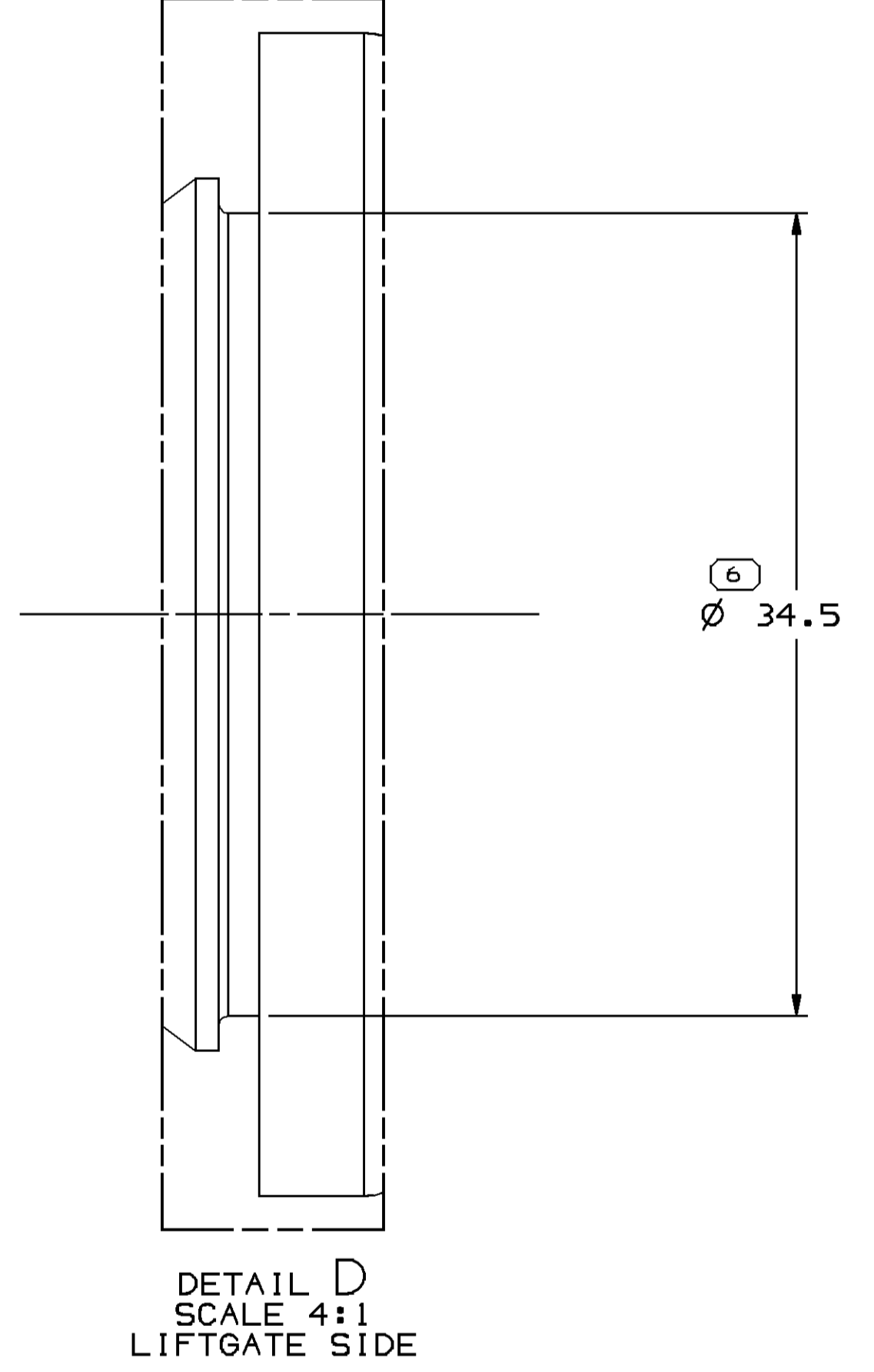
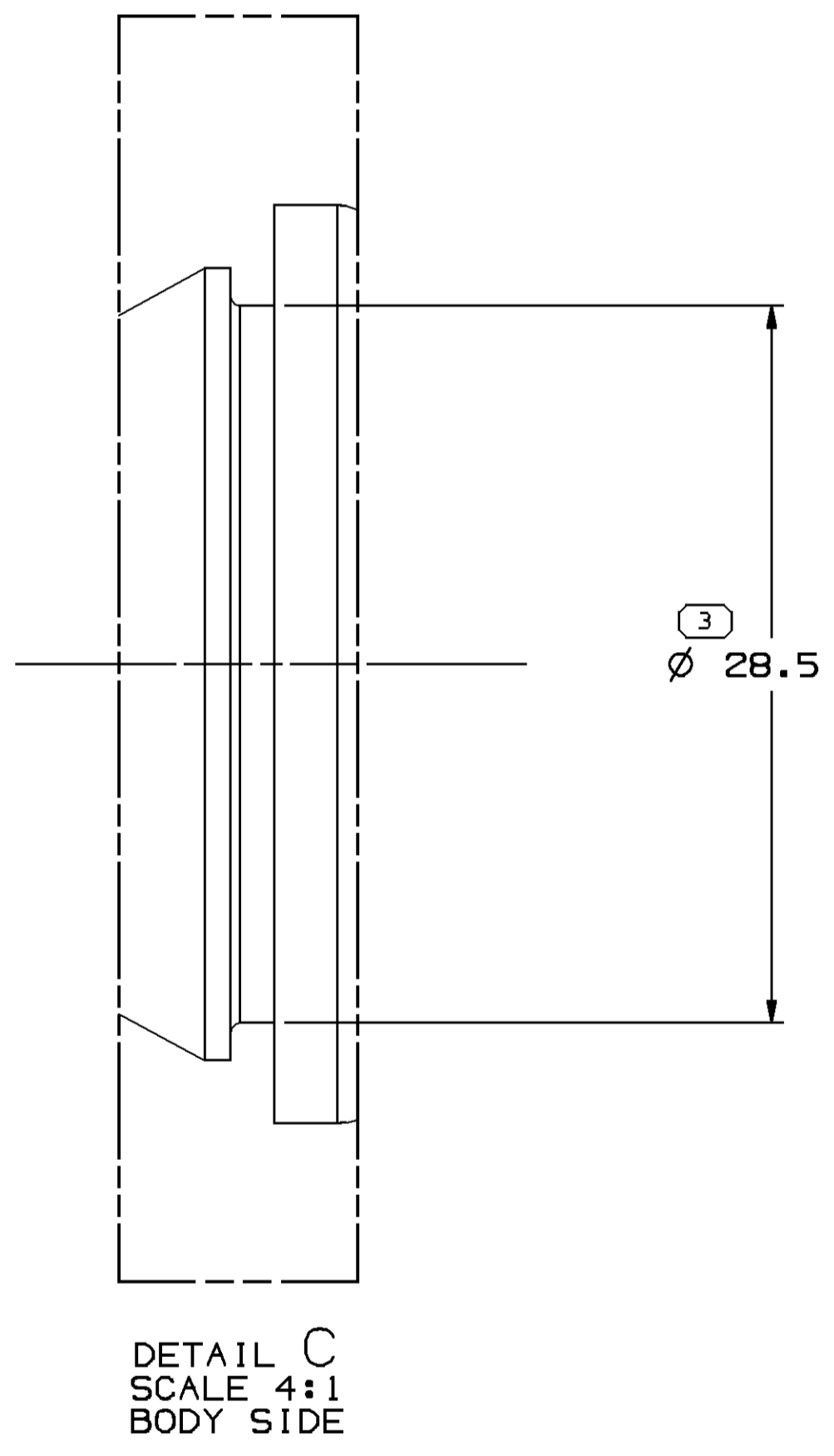


SYMBOL DEFINITION		MISSING SYMBOLS	
A DIMENSION WITHOUT AN INSPECTION REPORT SYMBOL DOES NOT REQUIRE INSPECTION. IT MAY BE CONTROLLED ON THE INDIVIDUAL COMPONENT DRAWING.	TOTAL NO OF INSPECTIONS REQUIRED	NO MISSING SYMBOL NUMBER	
	9		
	LAST NO. USED		
	8		

DWG STATUS				REVISION HISTORY		AUTH		DR		AP/VD	
DATE	STG	REV	N/P	CHG	ZONE						
06SE06	R	01	-	-		RELEASED	284027	JBD	AUG	JAS	2
25JA07	R	02	-	-		ADDED TAPE TAB RIBS	400323	WHC	WHC	JAS	M
12FE07	R	02	AA	-		UPDATED GRAPHICS AND PDM ATTRIBUTES	400466	EES	EES	JAS	



SCALE 1:1



- NOTES
- UNLESS OTHERWISE SPECIFIED AND/OR INDICATED: DIMENSIONS ARE TO FACE OF VIEW SHOWN AND AUTOMATICALLY ROUNDED BY COMPUTER FOR INSPECTION (SEE MATH MODEL FOR PRECISE DIMENSIONS). FOR ALL OTHER DIMENSIONS NOT SHOWN BUT REQUIRED FOR TOOL BUILD, SEE MATH MODEL FOR PRECISE TOOL PATH DATA.
 - PART IS SYMMETRICAL ABOUT CENTER LINES EXCEPT AS NOTED.
 - RECOMMENDED CONTENT FILL - 70%
 - TENNIBAC 2431 TO BE APPLIED IN TEXTURED AREAS.

DIMENSIONAL RANGE (MM)		CHART	0
FROM	> 0	> 25	> 50
TO	25	50	80
TOLERANCE UNLESS OTHERWISE SPECIFIED	± 0.3	± 0.5	± 0.6
ANGULAR TOLERANCE	± 2°		

PART DRAWING	
VOLUME (QTY)	42,155
DISTR CODE	D
UNLESS OTHERWISE SPECIFIED	
THIS DOCUMENT IS IN ACCORDANCE WITH ASME Y14.5M-1994 AS MODIFIED BY THE 2003 DIMENSIONING AND TOLERANCE PRACTICE (Y14.5M-2003). ALL DIMENSIONS AND RELATED DATUMS APPLY UNLESS OTHERWISE SPECIFIED. DIMENSIONS ARE TO FACE UNLESS OTHERWISE SPECIFIED. DIMENSIONS ARE IN MILLIMETERS UNLESS OTHERWISE SPECIFIED.	
THIRD ANGLE PROJECTION	DO NOT SCALE
USE MATH DATA	

DELPHI
DELPHI PACKARD ELECTRICAL/ELECTRONIC ARCHITECTURE
NAPER, OH

DR	DATE
APV01 J.R. BARRIENTOS	06SE06
APV02 A. UGALDE	07SE06
APV03 J. SVETTE	08SE06
APV04	
APV05	

SUBSTANCES OF CONCERN AND RECYCLED CONTENT PER DELPHI 10949001

MATERIAL: W4525002

DRAWING NAME: GROM DOOR CDT

DRAWING NUMBER: 13599526

SIZE: AD SCALE: 2:1 FRAME NO: 1 OF 1 SHEET NO: 1 OF 1 STG: R REV: 02 AA