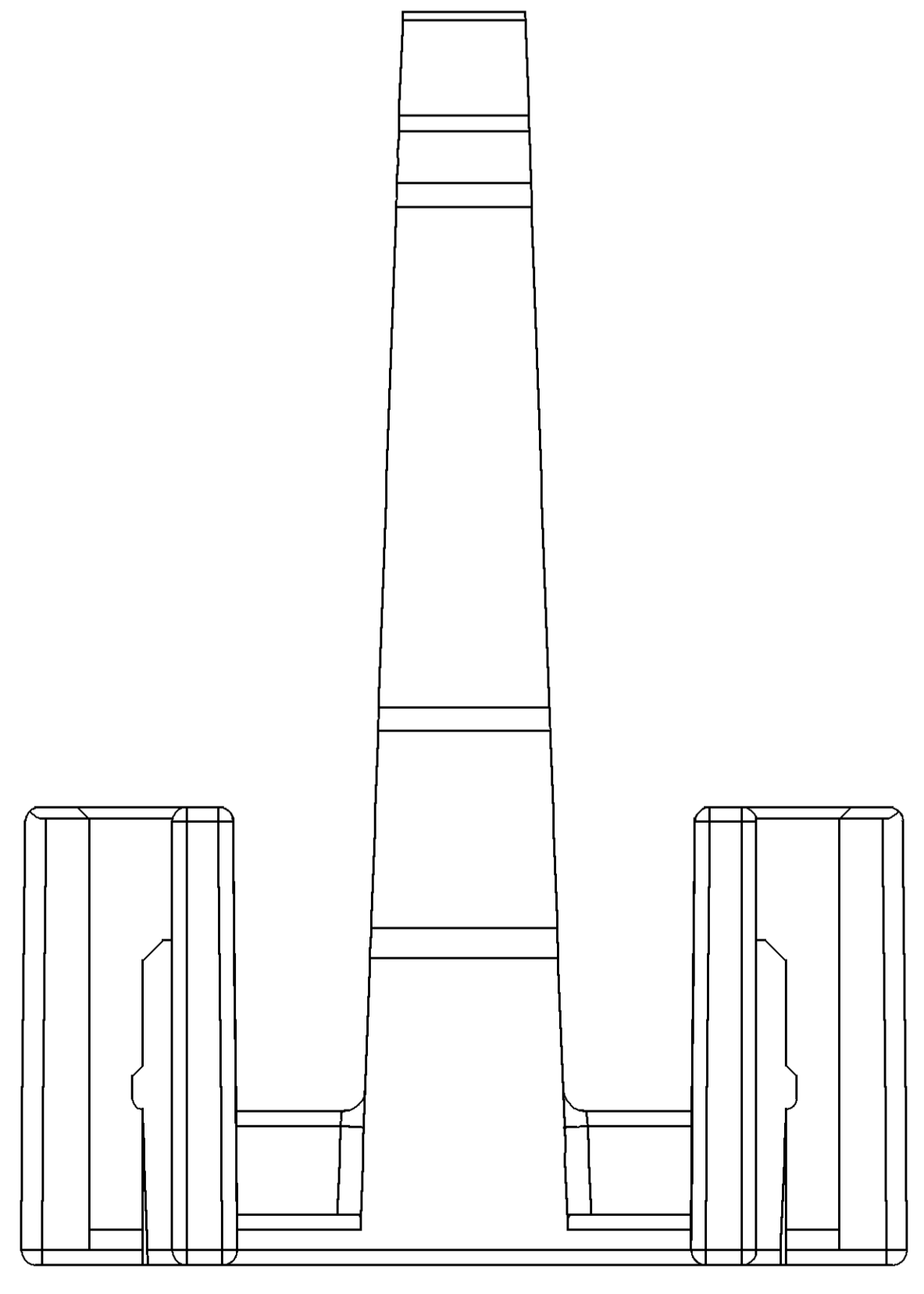
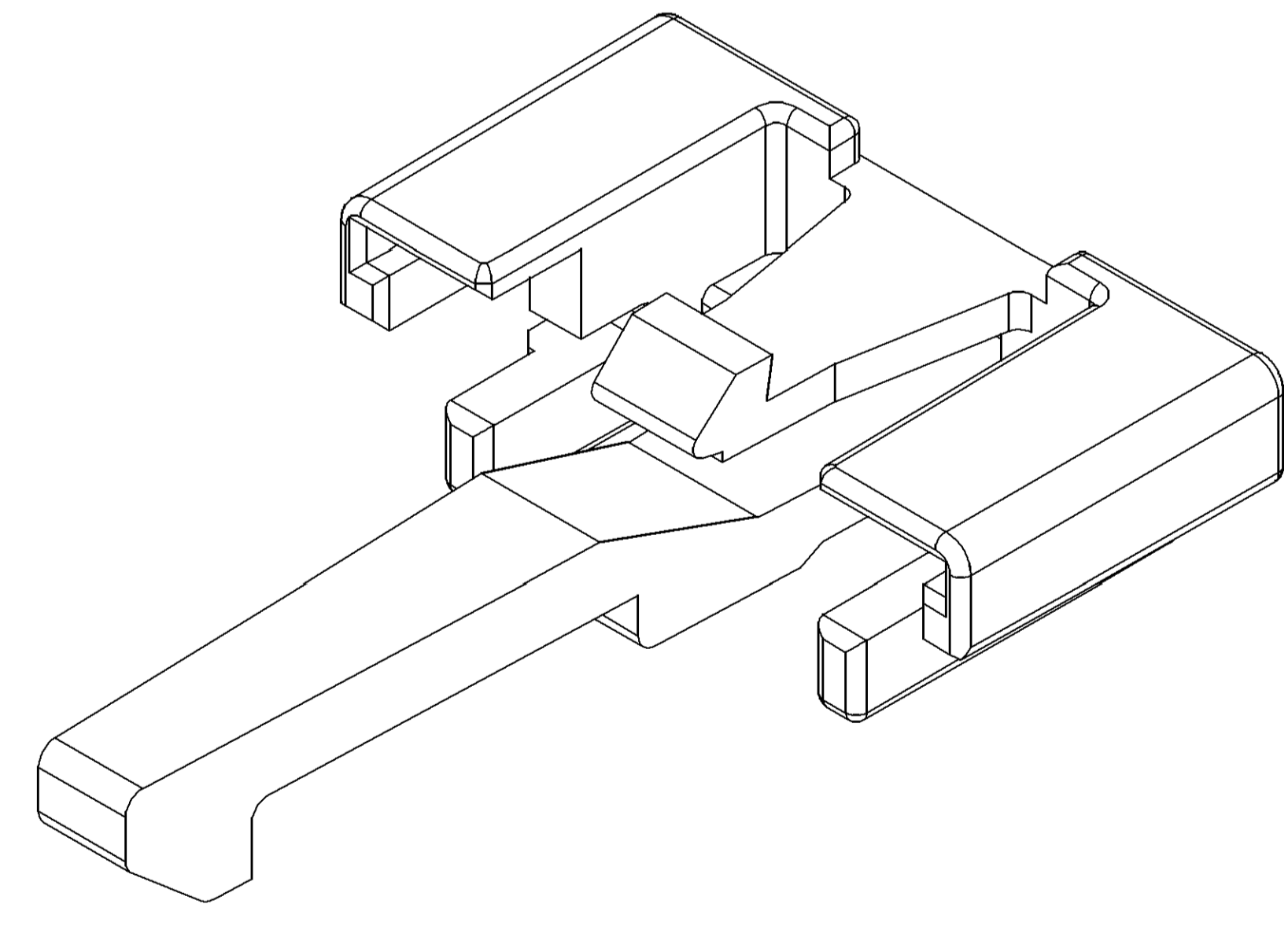
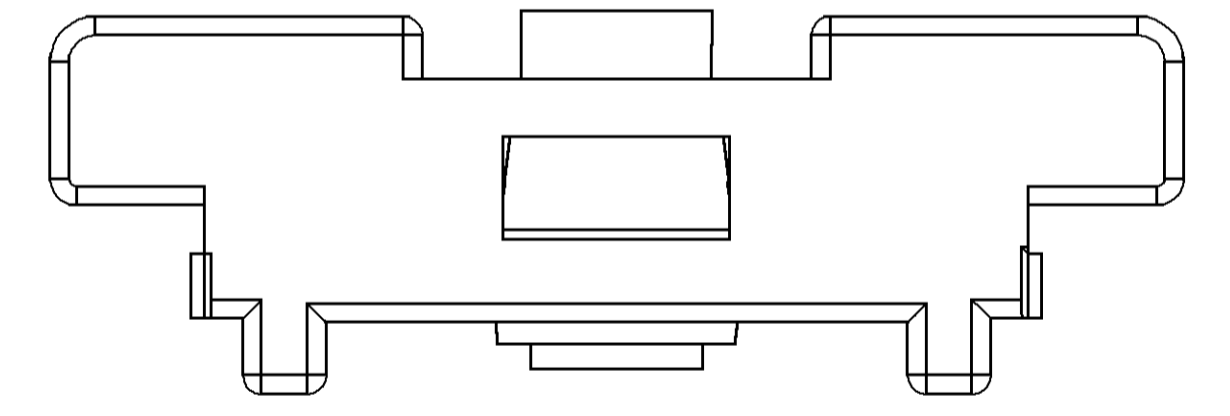
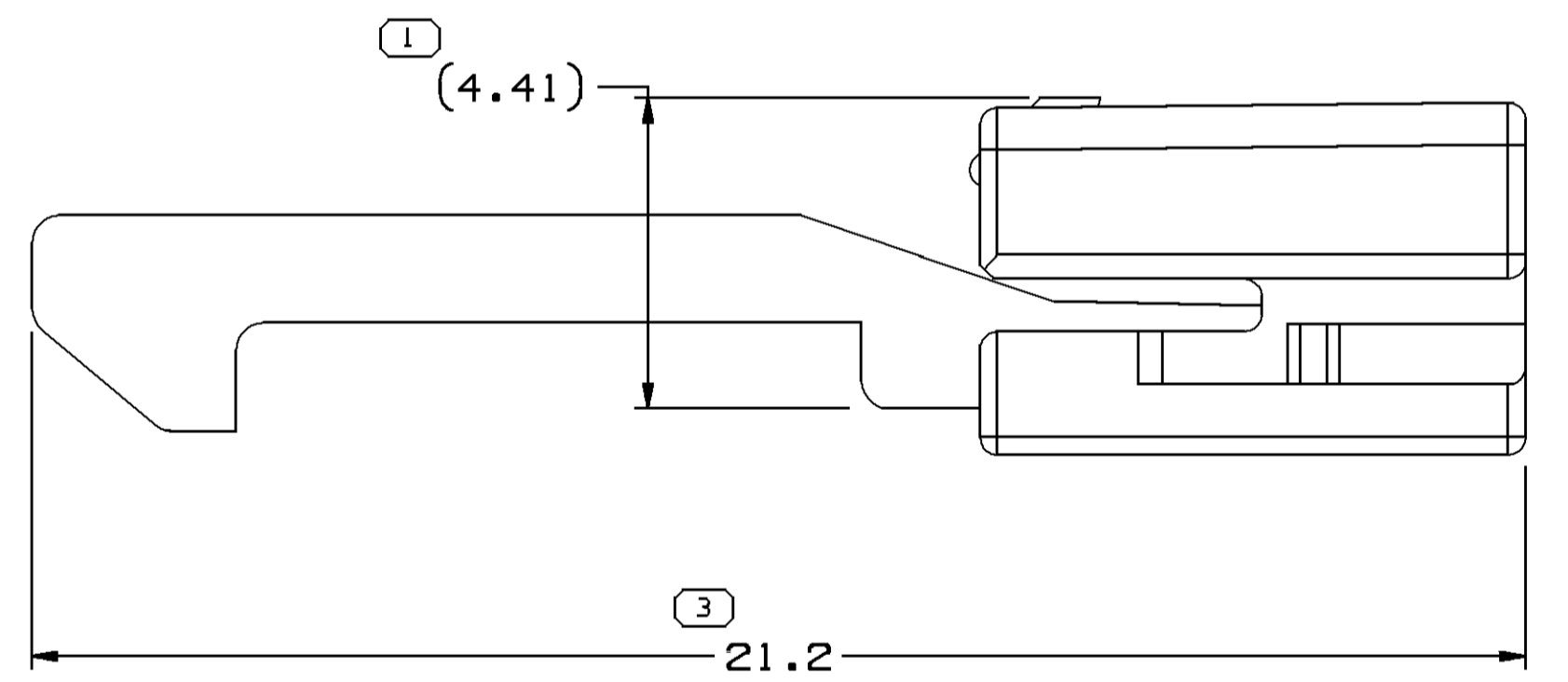
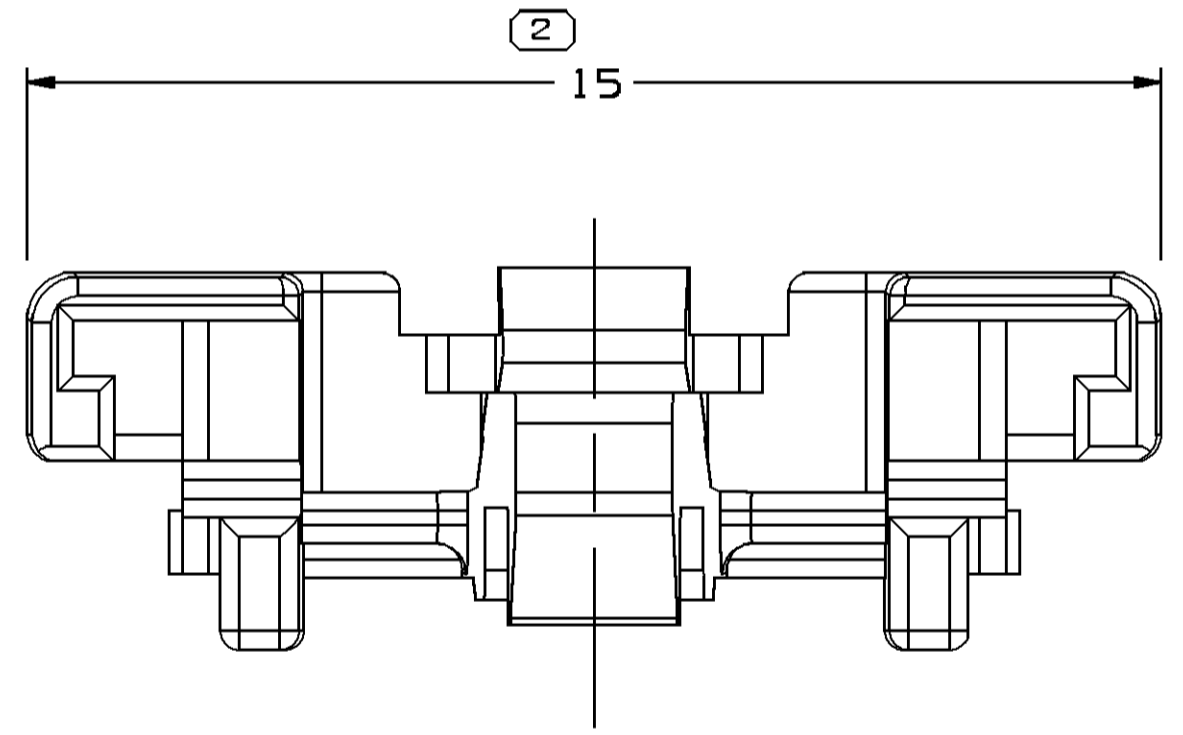
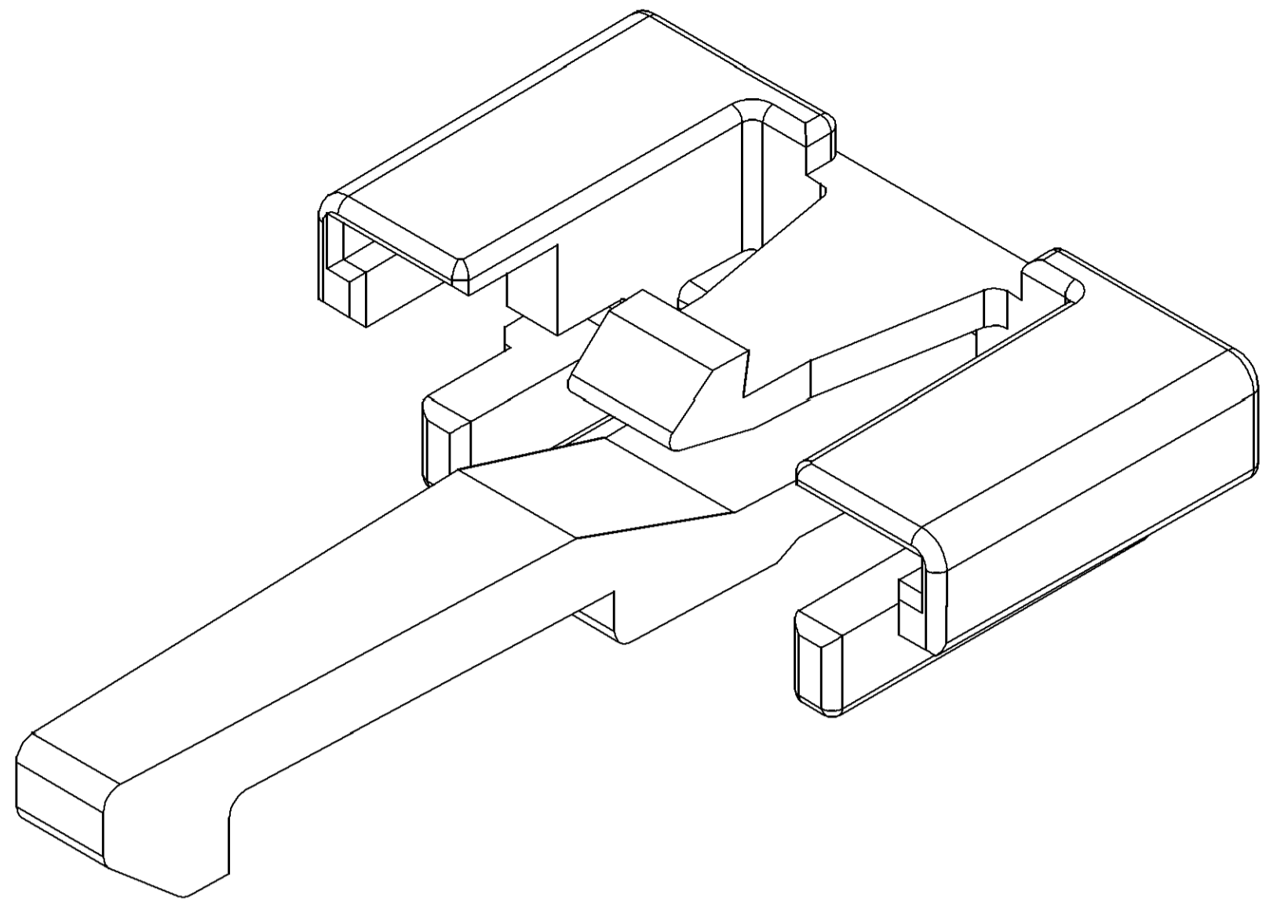
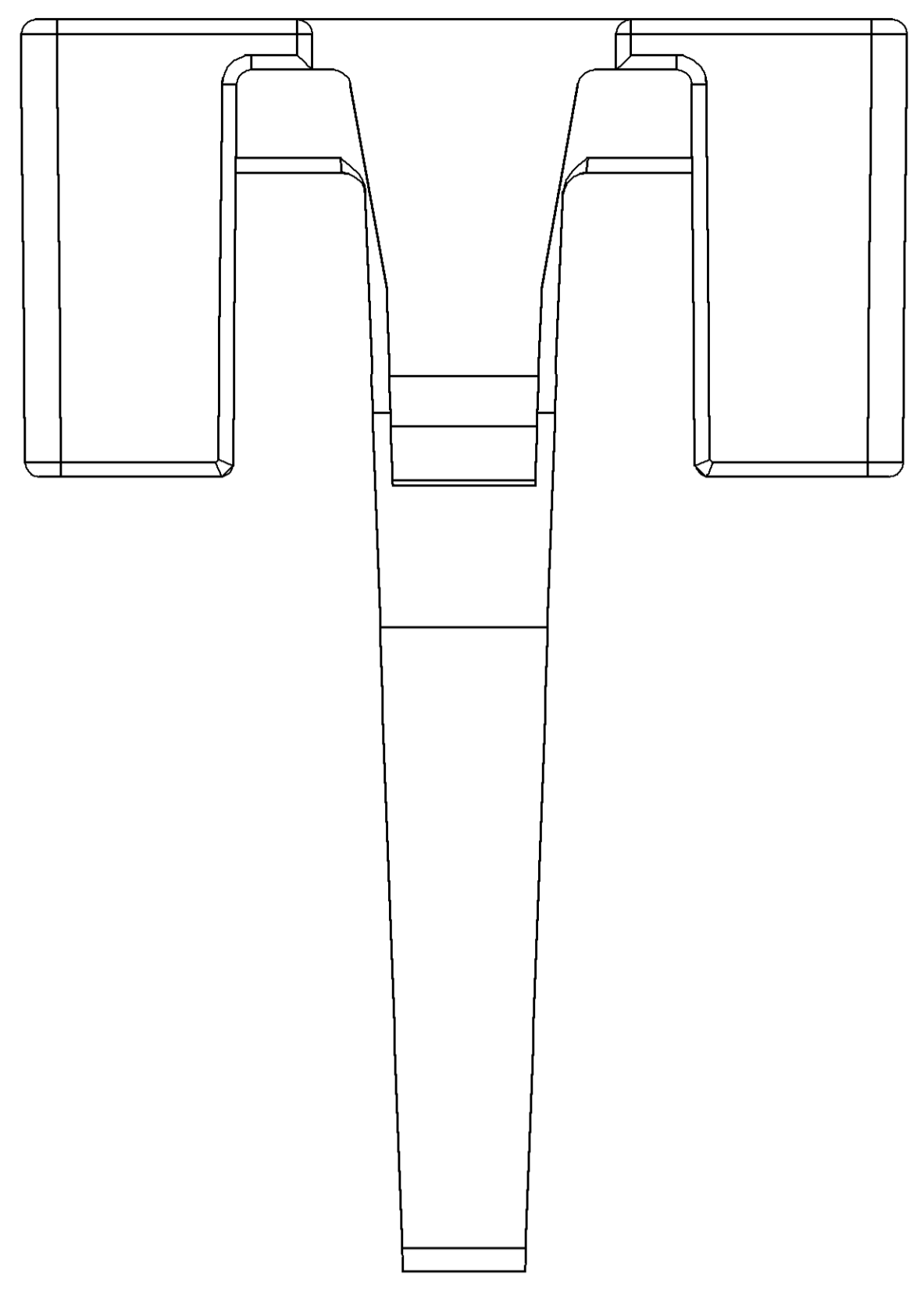


SYMBOL DEFINITION		TOTAL NO OF INSPECTIONS REQUIRED	3
A DIMENSION WITHOUT AN INSPECTION REPORT SYMBOL () DOES NOT REQUIRE INSPECTION. IT MAY BE CONTROLLED ON THE INDIVIDUAL COMPONENT DRAWING.		LAST NO. USED	3

MISSING SYMBOLS				REVISION HISTORY				AUTH	DR	AP/VD	AP/VD
DATE	STG	REV	N/P	CHG	ZONE						
120C06	R	01	-	-		RELEASED		285532	RH	RH	RB
25JUL07	R	01	AA			ADDED OPTIONAL CONSTRUCTION, CHANGED NOTE 3.		401965	MB	MB	RB



○ OPTIONAL CONSTRUCTION

- NOTES
- UNLESS OTHERWISE SPECIFIED AND/OR INDICATED:
DIMENSIONS ARE TO FACE OF VIEW SHOWN AND AUTOMATICALLY ROUNDED BY COMPUTER FOR INSPECTION (SEE MATH MODEL FOR PRECISE DIMENSIONS). FOR ALL OTHER DIMENSIONS NOT SHOWN BUT REQUIRED FOR TOOL BUILD, SEE MATH MODEL FOR PRECISE TOOL PATH DATA.
 - THIS PART USED IN ASSEMBLY 13593465.
 - MATERIAL RECYCLING CODE PER ISO 11469. (0.6)X(0.1) CHARACTERS AS SHOWN TO BE LOCATED ON ANY EXTERIOR SURFACE-OPTIONAL.
 - REFERENCE MATING COMPONENTS OR EQUIVALENT:
CONNECTOR 13593466
 - (0.6)X(0.1) DELPHI CORPORATE BRAND TO BE LOCATED ON ANY EXTERIOR SURFACE, PREFERABLY VISIBLE AT FINAL ASSEMBLY. OPTIONAL CONSTRUCTION FOR EXISTING TOOLING MAY BE "PED" OR NO LOGO.

Dwg TYPE PART DRAWING																																																	
STYLE	DATE																																																
VOLUME 10/1 0.265	DISTR CODE D																																																
UNLESS OTHERWISE SPECIFIED THIS DOCUMENT IS IN ACCORDANCE WITH ASME Y14.5M-1994 AS MODIFIED BY THE IN-SUPPLY DIMENSIONING AND TOLERANCE ADDENDUM-2003. SEPARATE WRITINGS OF FEATURES MAY BE BASED SEPARATELY PER-ROLE OF DWTN REFERENCES.																																																	
ALL DIMENSIONS ARE IN MILLIMETERS																																																	
REFERENCE																																																	
THIRD ANGLE PROJECTION																																																	
DO NOT SCALE																																																	
USE MATH DATA																																																	
<table border="1"> <thead> <tr> <th>DIMENSIONAL RANGE (MM)</th> <th>CHART</th> <th>ET</th> </tr> </thead> <tbody> <tr> <td>FROM > 0</td> <td>> 20</td> <td>> 30</td> </tr> <tr> <td>TO</td> <td>20</td> <td>30</td> </tr> <tr> <td></td> <td>30</td> <td>70</td> </tr> <tr> <td></td> <td>70</td> <td>100</td> </tr> <tr> <td></td> <td>100</td> <td>150</td> </tr> <tr> <td></td> <td>150</td> <td>200</td> </tr> <tr> <td></td> <td>200</td> <td>250</td> </tr> <tr> <td></td> <td>250</td> <td>300</td> </tr> <tr> <td></td> <td>300</td> <td>400</td> </tr> <tr> <td colspan="3">TOLERANCE UNLESS OTHERWISE SPECIFIED</td> </tr> <tr> <td></td> <td>±0.15</td> <td>±0.2</td> </tr> <tr> <td></td> <td>±0.3</td> <td>±0.4</td> </tr> <tr> <td></td> <td>±0.5</td> <td>±0.6</td> </tr> <tr> <td></td> <td>±1</td> <td>±1.2</td> </tr> <tr> <td colspan="3">ANGULAR TOLERANCE 32°</td> </tr> </tbody> </table>		DIMENSIONAL RANGE (MM)	CHART	ET	FROM > 0	> 20	> 30	TO	20	30		30	70		70	100		100	150		150	200		200	250		250	300		300	400	TOLERANCE UNLESS OTHERWISE SPECIFIED				±0.15	±0.2		±0.3	±0.4		±0.5	±0.6		±1	±1.2	ANGULAR TOLERANCE 32°		
DIMENSIONAL RANGE (MM)	CHART	ET																																															
FROM > 0	> 20	> 30																																															
TO	20	30																																															
	30	70																																															
	70	100																																															
	100	150																																															
	150	200																																															
	200	250																																															
	250	300																																															
	300	400																																															
TOLERANCE UNLESS OTHERWISE SPECIFIED																																																	
	±0.15	±0.2																																															
	±0.3	±0.4																																															
	±0.5	±0.6																																															
	±1	±1.2																																															
ANGULAR TOLERANCE 32°																																																	

DELPHI	
DELPHI PACKARD ELECTRICAL/ELECTRONIC ARCHITECTURE WYREN, OH	
DR	DATE
AP/VD1 ROBERT HURD	120C06
AP/VD2 ROBERT HURD	120C06
AP/VD3 R. BALDWIN	120C06
AP/VD4	
AP/VD5	
SUBSTANCES OF CONCERN AND RECYCLED CONTENT PER DELPHI 10947001	
MATERIAL W4629003 PBT GF20 GRA	
DRAWING NAME LOCK CPA GRA	
DRAWING NUMBER 13605599	
SIZE A0	SCALE 10:1
FRAME NO 1	SHEET NO 1
STG R	REV 01
N/P AA	AP/VD AA

Date: 28-Jul-07 Time: 09:38