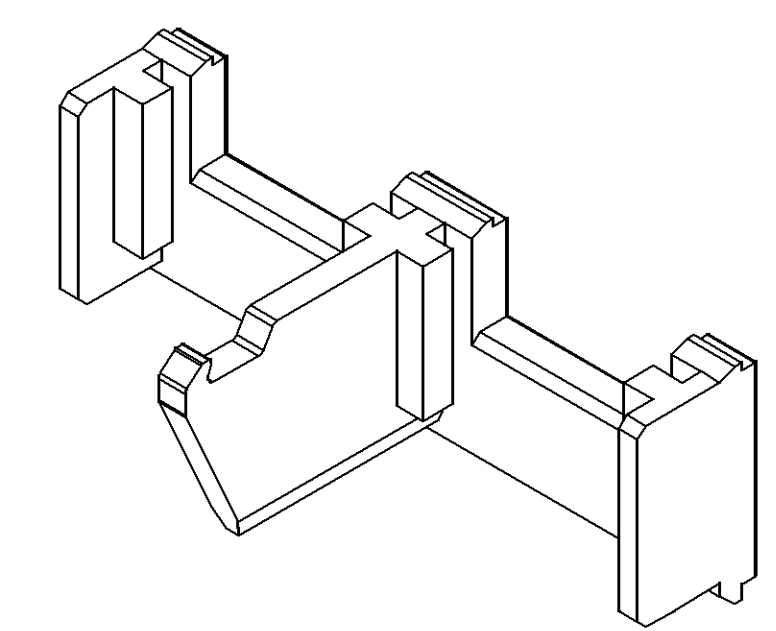
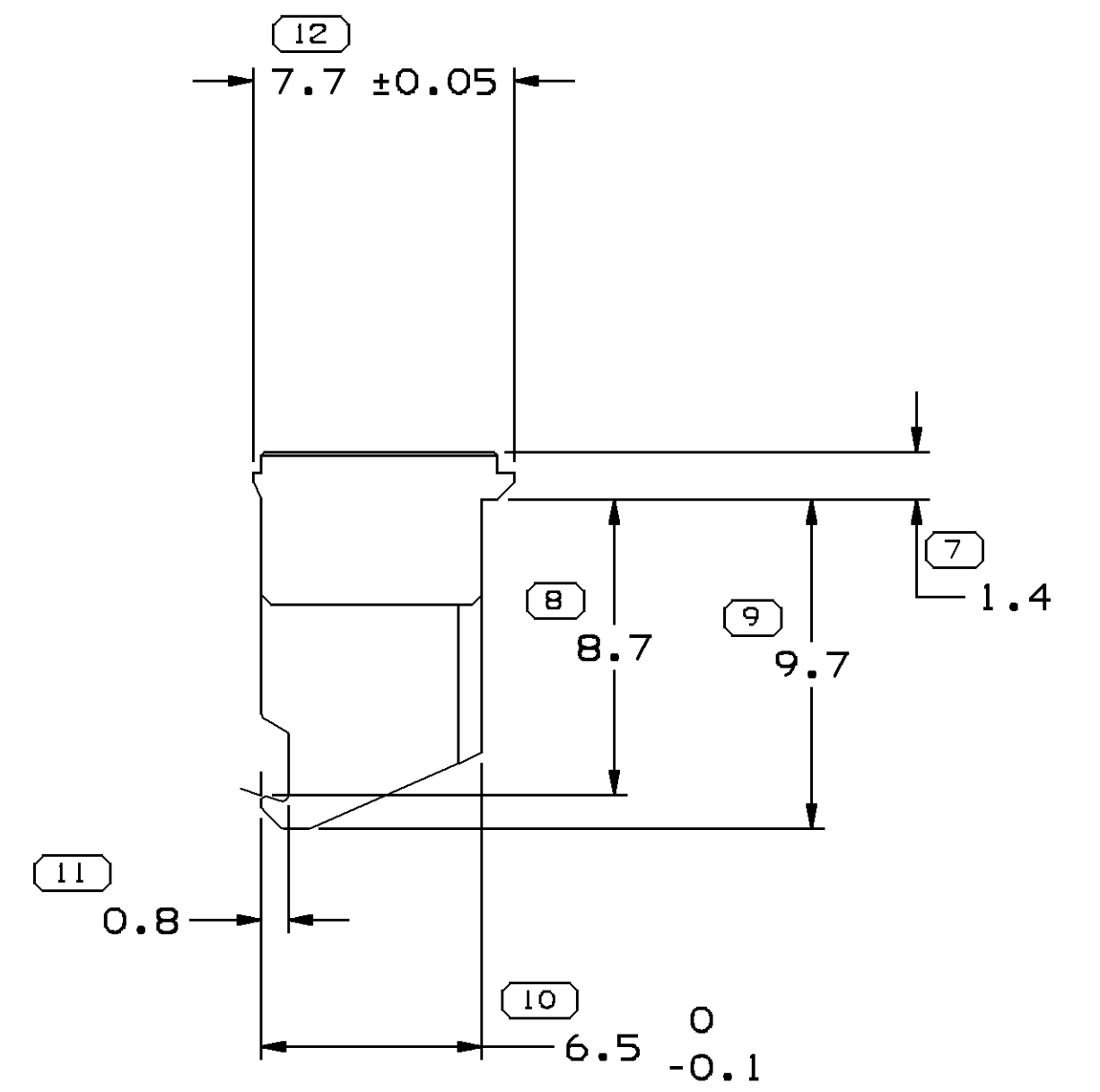
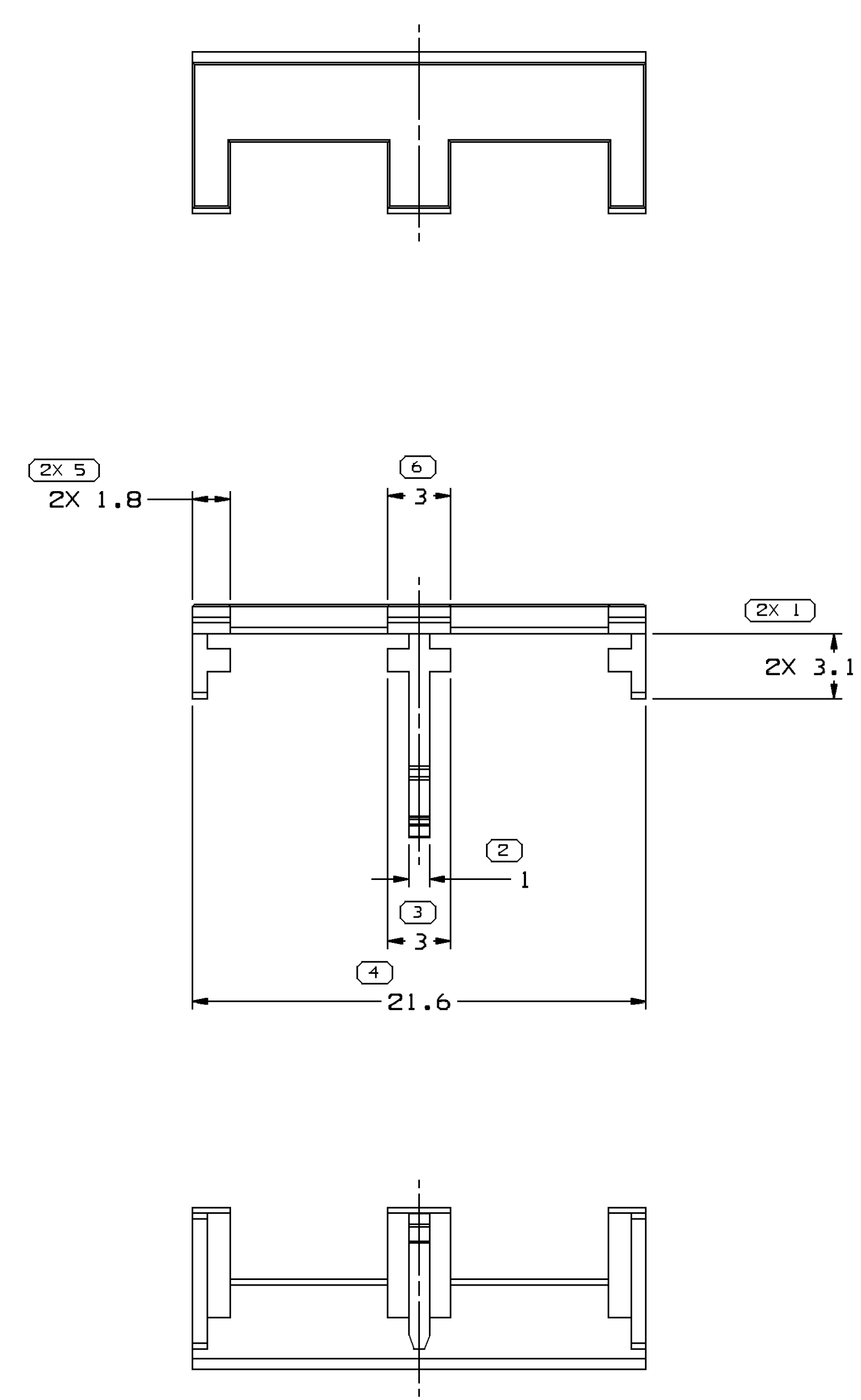


SYMBOL DEFINITION	
A DIMENSION WITHOUT AN INSPECTION REPORT SYMBOL ( ) DOES NOT REQUIRE INSPECTION. IT MAY BE CONTROLLED ON THE INDIVIDUAL COMPONENT DRAWING.	TOTAL NO OF INSPECTIONS REQUIRED
	14
	LAST NO. USED
	12

MISSING SYMBOLS					DWG STATUS		REVISION HISTORY		AUTH	DR	APVD1	APVD2
DATE	STG	REV	N/P	CHG	ZONE							
160C06	R	01	-	-		RELEASED		285724	HJJ	JWG	HJJ	
28DE06	R	01	AA	-		REDRAWN TO PD		288246	HJJ	JWG	HJJ	



- NOTES
- UNLESS OTHERWISE SPECIFIED AND/OR INDICATED:  
DIMENSIONS ARE TO FACE OF VIEW SHOWN AND AUTOMATICALLY ROUNDED BY COMPUTER FOR INSPECTION (SEE MATH MODEL FOR PRECISE DIMENSIONS). FOR ALL OTHER DIMENSIONS NOT SHOWN BUT REQUIRED FOR TOOL BUILD, SEE MATH MODEL FOR PRECISE TOOL PATH DATA.
  - THIS PART USED IN ASSEMBLY 13605938.
  - THIS PART ACCEPTS THE FOLLOWING COMPONENTS OR EQUIVALENT:  
CONNECTOR 13605939

4 PROCESS SENSITIVE DIMENSION	
DIMENSIONS ENCLOSED IN ( ) INDICATE REFERENCE DIMENSIONS AND NO TOLERANCE LIMITS ARE ESTABLISHED	
DIMENSIONAL RANGE (MM)	CHART P
FROM > 0 > 30 > 70 > 100 > 150 > 200 > 250 > 300 > 400	
TO 30 70 100 150 200 250 300 400	
TOLERANCE UNLESS OTHERWISE SPECIFIED	
±0.1   ±0.3   ±0.4   ±0.5   ±0.6   ±0.8   ±1   ±1.2	
ANGULAR TOLERANCE ±1°	

DWG TYPE PART DRAWING	
STYLE	
VOLUME (CPI) 0.255	DISTR CODE D
UNLESS OTHERWISE SPECIFIED THIS DOCUMENT IS IN ACCORDANCE WITH ASME Y14.5M-1994 AS AMENDED BY THE 94 GLOBAL DIMENSIONING AND TOLERANCING ADDENDUM-2001. SEPARATE PATTERNS OF FEATURES MAY BE GAGED SEPARATELY REGARDLESS OF DATUM REFERENCES.	
ALL DIMENSIONS ARE IN MILLIMETERS	
REFERENCE	
THIRD ANGLE PROJECTION	DO NOT SCALE USE MATH DATA
UNIGRAPHICS	

<b>DELPHI</b>	
DELPHI PACKARD ELECTRIC SYSTEMS WARREN, OH	
DR	DATE
APVD1 HUAJUN JIN	160C06
APVD2 JIANWEI GUO	160C06
APVD3 HUAJUN JIN	160C06
APVD4	
APVD5	
SUBSTANCES OF CONCERN AND RECYCLED CONTENT PER DELPHI 10945001	
MATERIAL M4695001 PBT NAT	
DRAWING NAME LOCK SECONDARY TPA NAT	
DRAWING NUMBER 13605940	
SIZE A1	SCALE 5:1
FRAME NO 1 OF 1	SHEET NO 1 OF 1
STG R	REV 01
N/P AA	