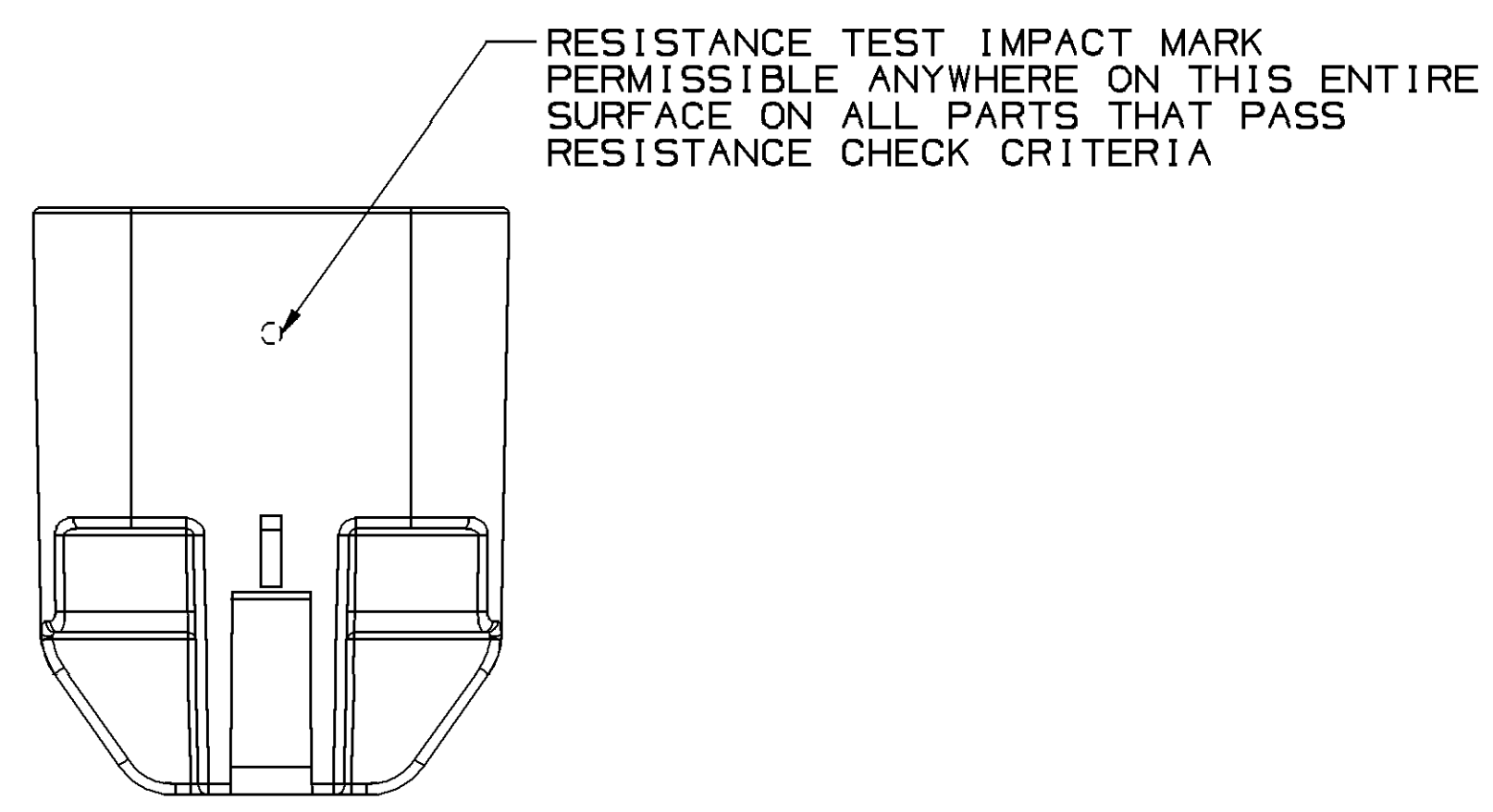
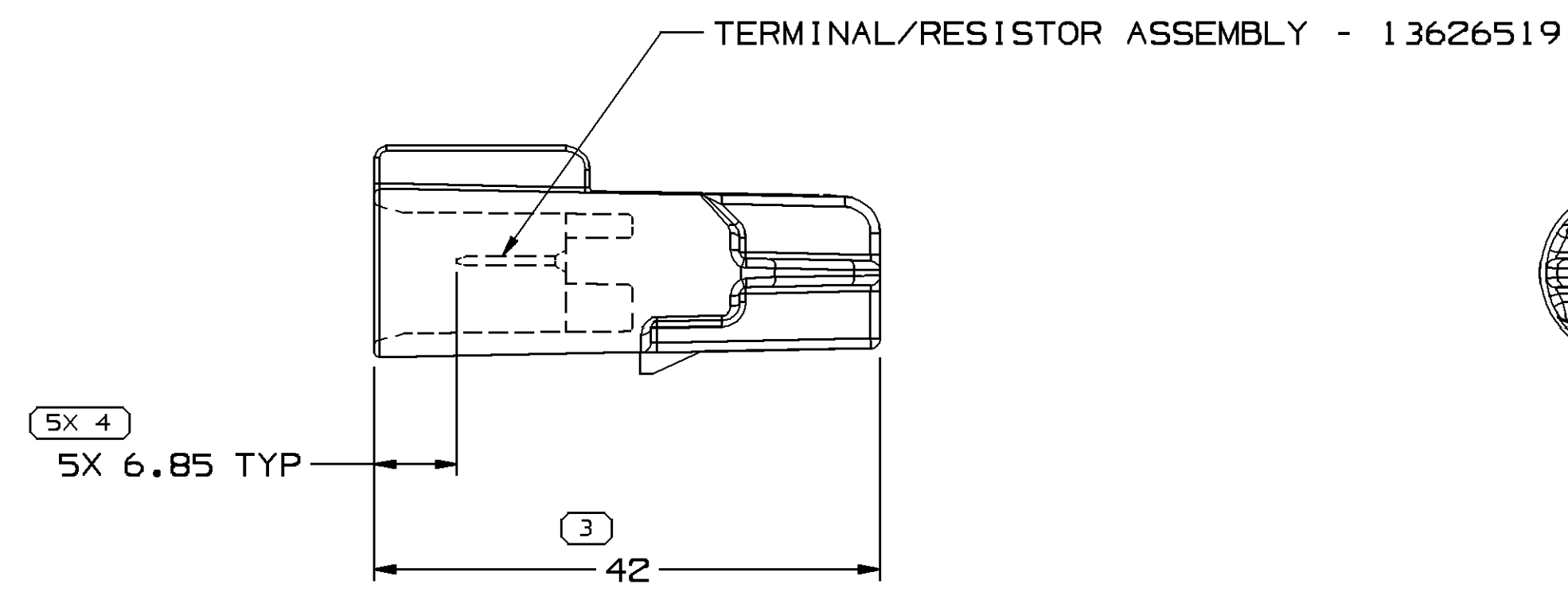
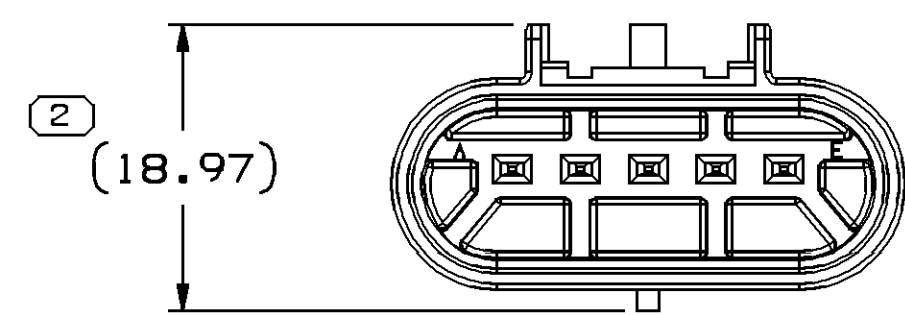
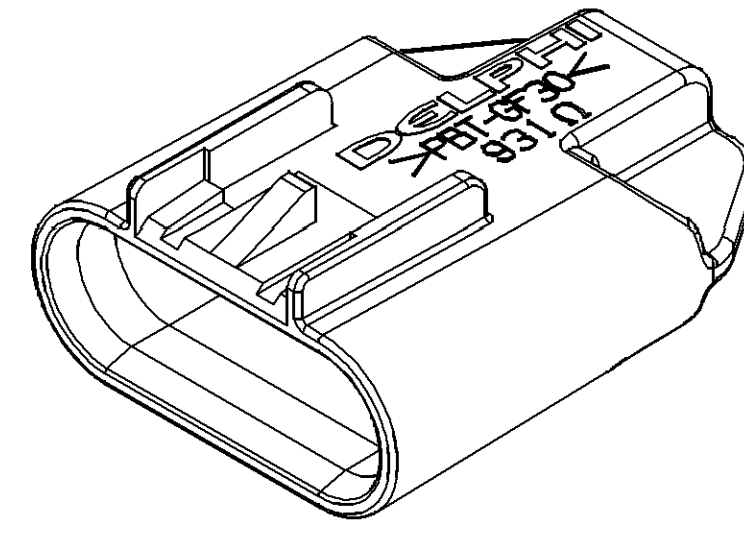
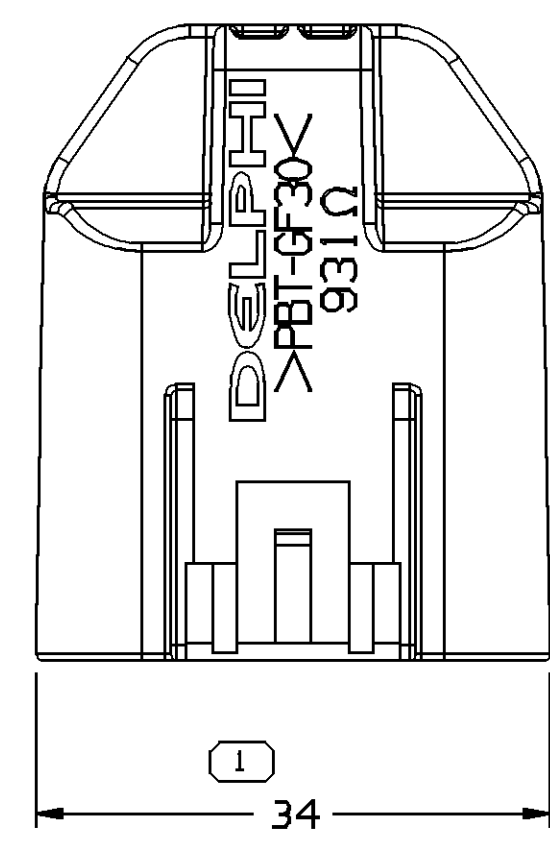


SYMBOL DEFINITION		MISSING SYMBOLS	
A DIMENSION WITHOUT AN INSPECTION REPORT SYMBOL DOES NOT REQUIRE INSPECTION. IT MAY BE CONTROLLED ON THE INDIVIDUAL COMPONENT DRAWING.	TOTAL NO OF INSPECTIONS REQUIRED	NO MISSING SYMBOL NUMBER	
	4		
	LAST NO. USED		
	4		

DWG STATUS				ZONE	REVISION HISTORY	AUTH	DR	APVD1	APVD2
DATE	STG	REV	N/P						
14JN07	R	01	-	-	CREATED PART DRAWING	401647	GE	GE	GER
18FE08	R	01	AA	-	REVISED TERMINAL/RESISTOR ASSEMBLY	403873	JS	JS	KDM
06MR08	R	01	AB	-	UPDATED PDM ATTRIBUTES	404004	RJD	RJD	KDM
08MY08	R	01	AC	-	UPDATED PDM ATTRIBUTES	404611	LVR	JVM	KDM
29MY08	R	02	-	-	UPDATED PDM ATTRIBUTES	404779	MEC	MEC	KDM
12JN08	R	03	-	-	TOLERANCE CHART WAS "D" AND UPDATED PDM ATTRIBUTES	404967	EFJ	JVM	KDM
30JL08	R	03	AA	-	UPDATED PDM ATTRIBUTES	405503	EAJ	FKV	KDM
18AU08	R	03	AB	-	ADDED RESISTANCE TEST IMPACT MARK NOTE	405732	MM	MM	KDM
11SE08	R	03	AC	-	UPDATED PDM ATTRIBUTES	406075	JS	JS	KDM



NOTES

- UNLESS OTHERWISE SPECIFIED AND/OR INDICATED:
DIMENSIONS ARE TO FACE OF VIEW SHOWN AND AUTOMATICALLY ROUNDED BY COMPUTER FOR INSPECTION (SEE MATH MODEL FOR PRECISE DIMENSIONS). FOR ALL OTHER DIMENSIONS NOT SHOWN BUT REQUIRED FOR TOOL BUILD, SEE MATH MODEL FOR PRECISE TOOL PATH DATA.
- REFERENCE MATING COMPONENTS OR EQUIVALENT:
CONNECTOR ASSEMBLY 13519051
- THIS PART ACCEPTS THE FOLLOWING COMPONENTS OR EQUIVALENT:
MOUNTING CLIP 15326712
- THIS PRODUCT IS NOT CATEGORIZED AS AN APPEARANCE ITEM, MINOR IMPERFECTIONS INCLUDING, BUT NOT LIMITED TO, FLOW MARKS, COLOR BLEMISHES, GATE VESTIGE, AND SOFT FLASH THAT DO NOT AFFECT THE FIT, FORM, OR FUNCTION OF THE PART ARE PERMISSIBLE PER NAP 4.10-18.

DIMENSIONAL RANGE (MM)		CHART ET	
FROM	>	TO	>
0	20	30	70
20	30	70	100
30	70	100	150
70	100	150	200
100	150	200	250
150	200	250	300
200	250	300	400
TOLERANCE UNLESS OTHERWISE SPECIFIED		ANGULAR TOLERANCE ±2°	
±0.15	±0.2	±0.3	±0.4
±0.5	±0.6	±0.8	±1
±1	±1.2		

DWG TYPE PART DRAWING	
STYLE	
VOLUME (IMP) 8.094	DISTR CODE D
UNLESS OTHERWISE SPECIFIED THIS DOCUMENT IS IN ACCORDANCE WITH ASME Y14.5M-1994 AS AMENDED BY THE 0M GLOBAL DIMENSIONING AND TOLERANCING ADDENDUM-2001. SEPARATE PATTERNS OF FEATURES MAY BE GAGED SEPARATELY REGARDLESS OF DATUM REFERENCES.	
ALL DIMENSIONS ARE IN MILLIMETERS	
REFERENCE	
THIRD ANGLE PROJECTION	DO NOT SCALE USE MATH DATA

DELPHI
DELPHI PACKARD ELECTRICAL/ELECTRONIC ARCHITECTURE
WARREN, OH

DR	DATE
APVD1 GEORGE EDMISTON	14JN07
APVD2 GEORGE EDMISTON	14JN07
APVD3 GLENN E. ROBISON	14JN07
APVD4	
APVD5	

SUBSTANCES OF CONCERN AND RECYCLED CONTENT PER DELPHI 10945001

MATERIAL
POLYESTER COMPOUND BLACK

DRAWING NAME
ASM CONN 5 M GT 150 RESISTOR

DRAWING NUMBER
13626520

SIZE	SCALE	FRAME NO	SHEET NO	STG	REV	N/P
A1	2:1	1 OF 1	1 OF 1	R	03	AC