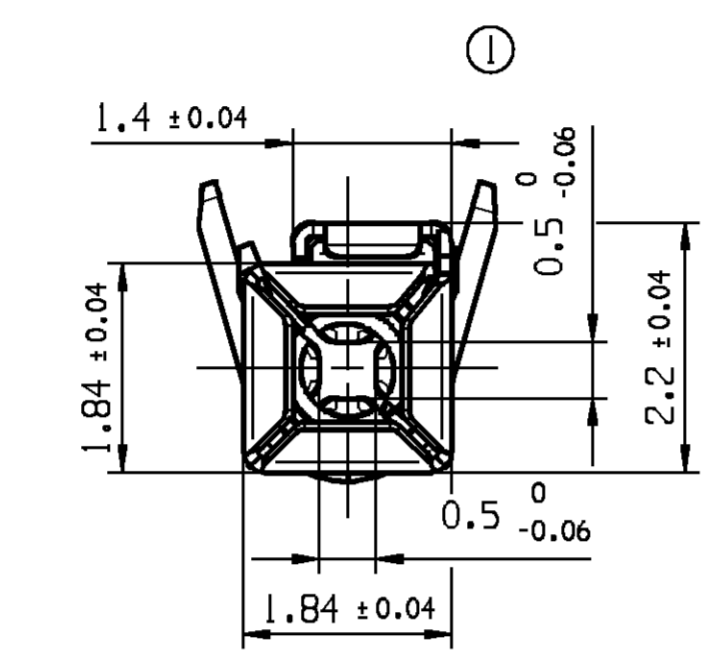
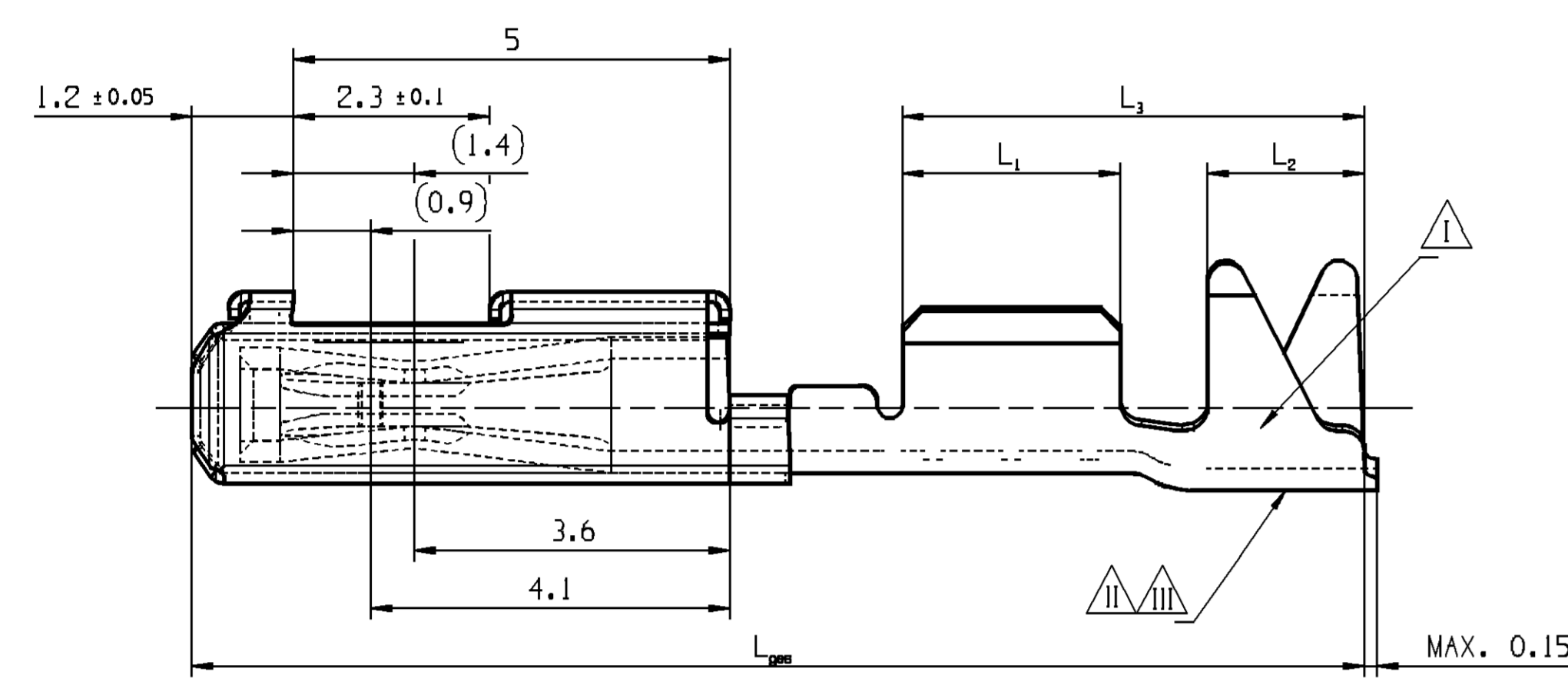


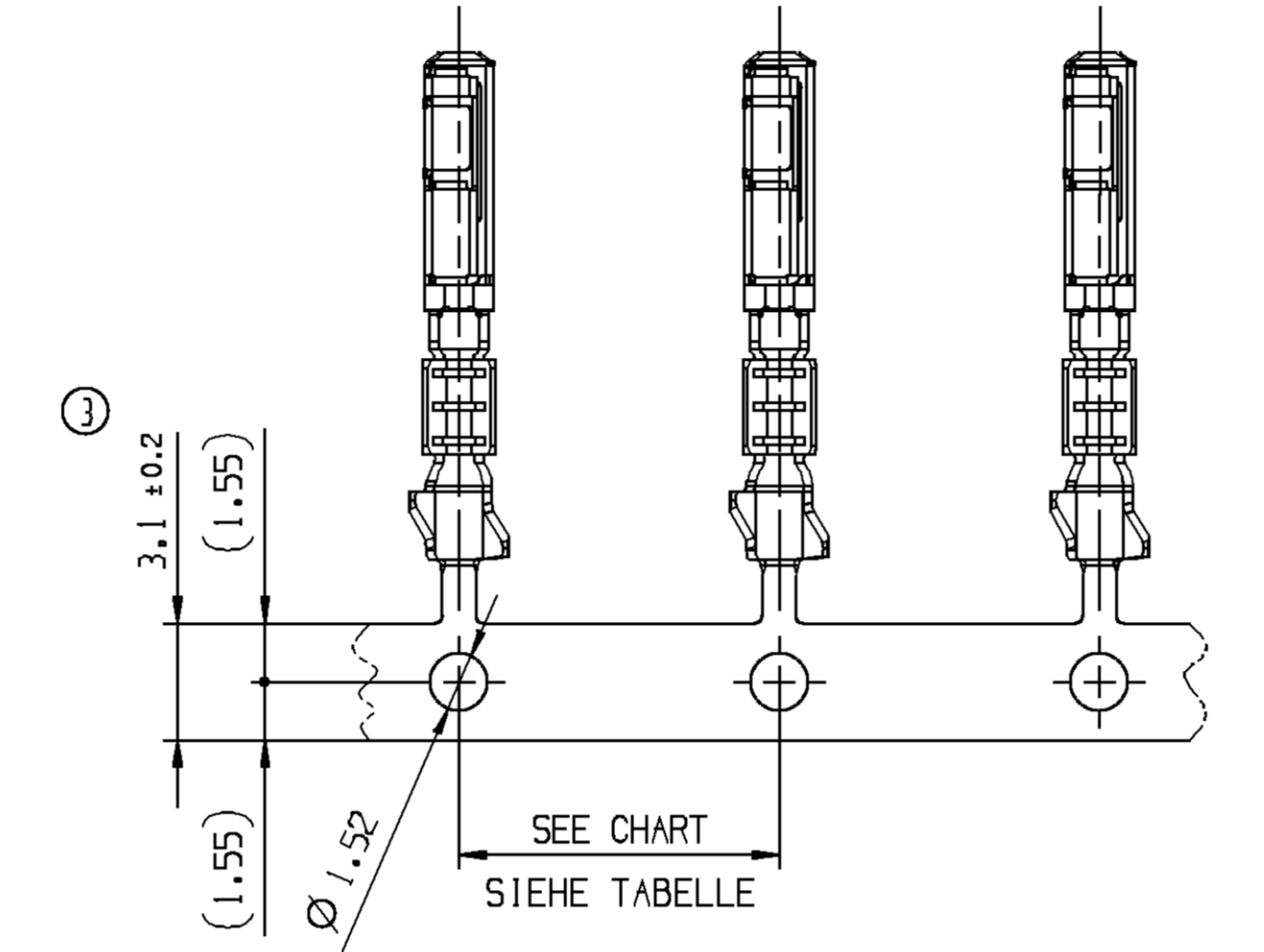
KEY PRODUCT CHARACTERISTICS				
SAFETY/COMPLIANCE	FIT/FUNCTION	TOTAL ON DRAWING	0	
S/C CHECKPOINTS	F/F CHECKPOINTS	LAST NO. USED	0	
NO & TYPE	DESCRIPTION	RATIONALE	PTS	ZONE

L _{max}	L ₁	L ₂	L ₁	R ₂ ± 0.1	R ₁ ± 0.1	H ₂ ± 0.2	H ₁ ± 0.2	B ₂ ± 0.2	B ₁ ± 0.2	PITCH TRANSPORT	SURFACE SLEEVE/UEBERFEDER OBERFLAECHE	MATERIAL SLEEVE/UEBERFEDER WERKSTOFF	MATERIAL BODY/BASISTEIL WERKSTOFF	VERSION AUSFUHRUNG	SURFACE BODY/BASISTEIL OBERFLAECHE	CROSS SECTION QUERSCH.	PART-NO.:	PART-REV	DATE DATUM	DWG STATUS			ZONE	REVISION HISTORY		AUTH	DR	APVD 1	APVD 2		
																				DATE	STG	REV		INITIAL RELEASE / FREIGABE	W.SAC					C.CVA	F.WIS
13.50	5.30	1.80	2.50	0.90	0.60	2.64	1.90	2.57	1.93	5.08	BLANK	X10CrNi18 8	CuNi35TiMg	BASIC	p.Sn3	0.35-0.50	15426816	01	30SE03	22JUN06	01	AA	J11 D11	DIMENSIONS OF CONTACT POINTS ADDED VERMÄSSUNG DER KONTAKTPUNKTE HINZU	W.SAC	E.CVA	F.WIS				
13.50	5.30	1.80	2.50	0.90	0.80	3.23	2.52	2.82	2.57	10.16	BLANK	X10CrNi18 8	CuNi35TiMg	BASIC	p.Sn3	0.60-0.75	15426818	01	30SE03												
14.60	6.20	2.00	3.25	1.20	1.00	3.80	3.45	3.75	3.10	10.16	BLANK	X10CrNi18 8	CuNi35TiMg	BASIC	sel.Au	1.00-1.50			12JUN07	02											
13.50	5.30	1.80	2.50	0.90	0.60	2.64	1.90	2.57	1.93	5.08	BLANK	X10CrNi18 8	CuNi35TiMg	BASIC	sel.Au	0.35-0.50	15426815	01	30SE03												
14.60	6.20	2.00	3.25	1.20	1.00	3.80	3.45	3.75	3.10	10.16	BLANK	X10CrNi18 8	CuNi35TiMg	BASIC	sel.Au	0.60-0.75	15426817	01	30SE03	19JUN07	03										
13.50	5.30	1.80	2.50	0.90	0.60	2.64	1.90	2.57	1.93	5.08	BLANK	X10CrNi18 8	CuNi35TiMg	BASIC	gal.Ag	1.00-1.50															
13.50	5.30	1.80	2.50	0.90	0.80	3.23	2.52	2.82	2.57	10.16	BLANK	X10CrNi18 8	CuNi35TiMg	BASIC	gal.Ag	0.35-0.50	13627447	01	12JAO7												
14.60	6.20	2.00	3.25	1.20	1.00	3.80	3.45	3.75	3.10	10.16	BLANK	X10CrNi18 8	CuNi35TiMg	BASIC	gal.Ag	0.60-0.75	13627448	01	12JAO7	25MR08	03	AA	L6	CONFORM MATERIAL IDENTIFICATION MATERIALBEZEICHNUNG ANPASSUNG	W.SAC	E.CVA	M.SKR				
14.10	5.75	2.35	1.5	---	---	---	---	---	---	5.08	BLANK	X10CrNi18 8	CuNi35TiMg	FPC	p.Sn3	---	13653606	01	19JUN07	04JUL08	R	03	AB	H/CS	TOLERANCES ADDED / TOLERANZEN HINZU	L.KOT	W.SAC	M.SKR			
14.10	5.75	2.35	1.5	---	---	---	---	---	---	5.08	BLANK	X10CrNi18 8	CuNi35TiMg	FPC	sel.Au	---	13653607	01	19JUN07	21FEL13	R	04	---	L4	TOLERANCES ADDED / TOLERANZEN HINZU	M.PHI	E.CVA	SYS			
14.10	5.75	2.35	1.5	---	---	---	---	---	---	5.08	BLANK	X10CrNi18 8	CuNi35TiMg	FPC	gal.Ag	---	13653608	01	19JUN07	04JUL13	R	04	AA	L11	DIN 13.50 V16 / 12.90 / MASS 13.50 V16 / 12.90	M.PHI	E.CVA	SYS			
13.50	5.10	1.90	2.50	0.90	0.80	3.23	2.15	2.82	2.15	5.08	BLANK	X10CrNi18 8	CuNi35TiMg	BASIC	sel.Au	0.50-0.75	13913309	01	21FE13	09JUN15	R	04	AB	L11	PART IDENTIFICATION REMOVED TEILEBESCHRIFTUNG ENTFERNT	M.PHI	E.CVA	SYS			
																				21SE17	R	04	AC	H13	PART IDENTIFICATION ADDED TEILEBESCHRIFTUNG HINZU	M.PHI	R.GUT	SYS			

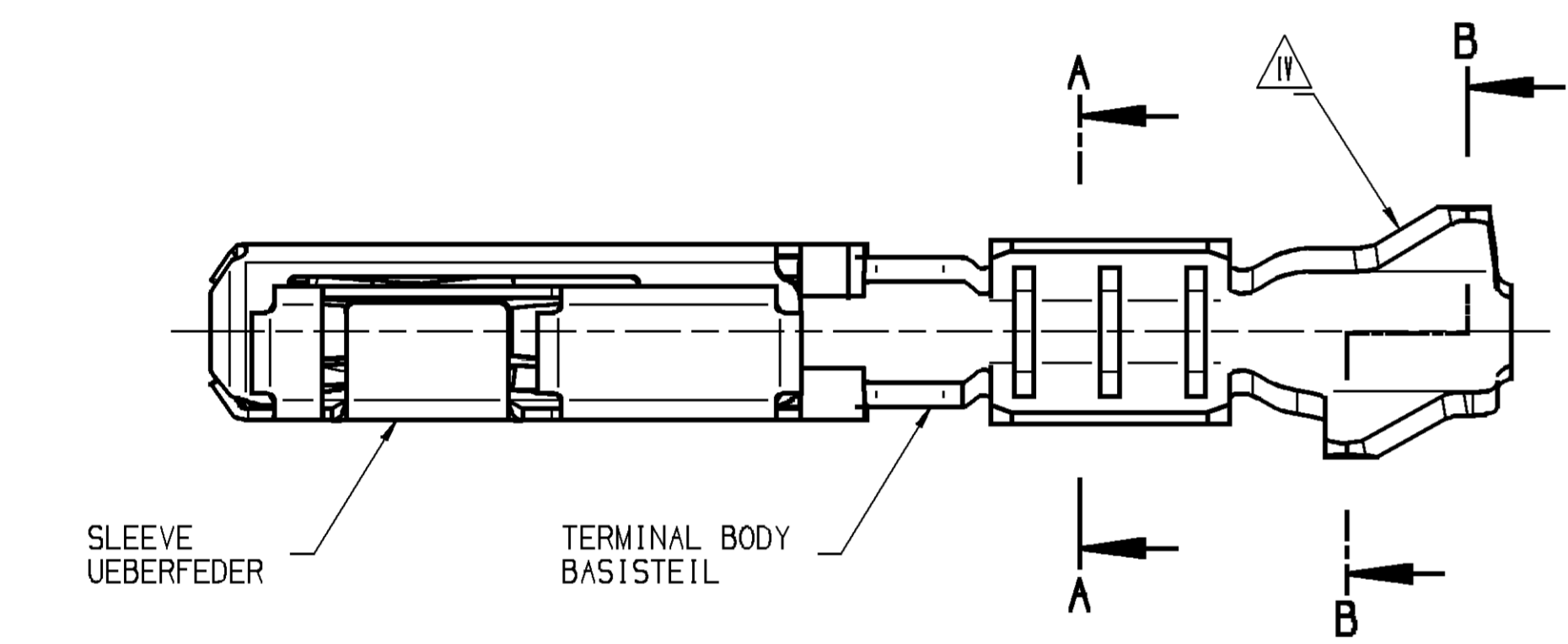
BASIC APPLICATION / STANDARD VARIANTE



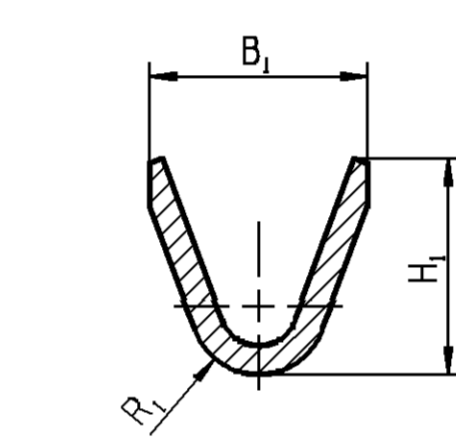
VIEW OF THE CARRIER STRIP IS NOT IN SCALE
ABBILDUNG DES ANBINDUNGS-STREIFENS NICHT MASSSTÄBLICH



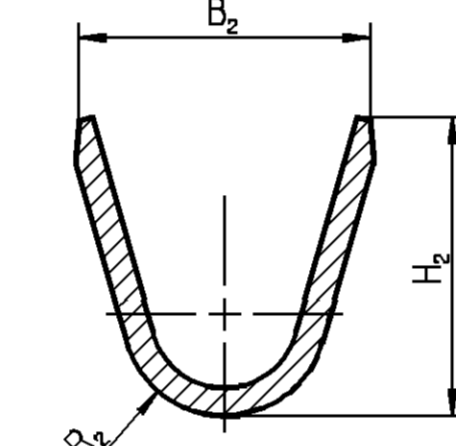
PROGRESSION IN THE CRIMP DIE
TRANSPORTRICHTUNG IM CRIMPWERKZEUG



A-A 90°

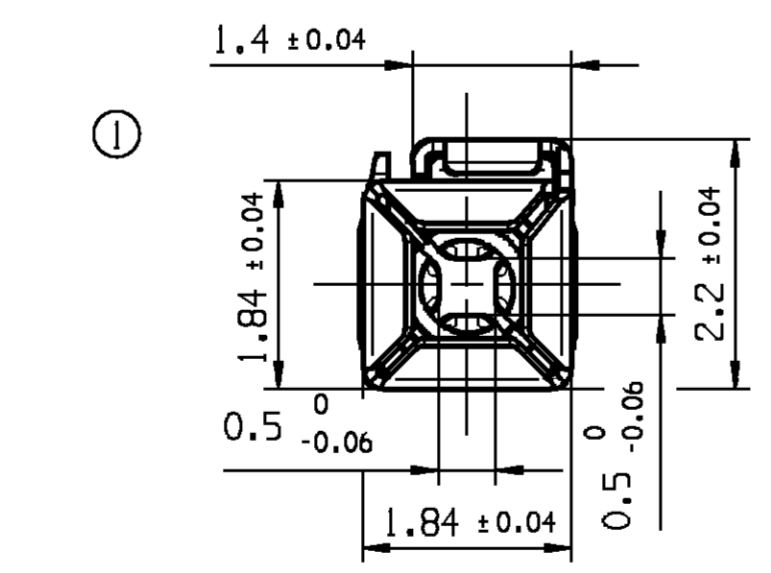
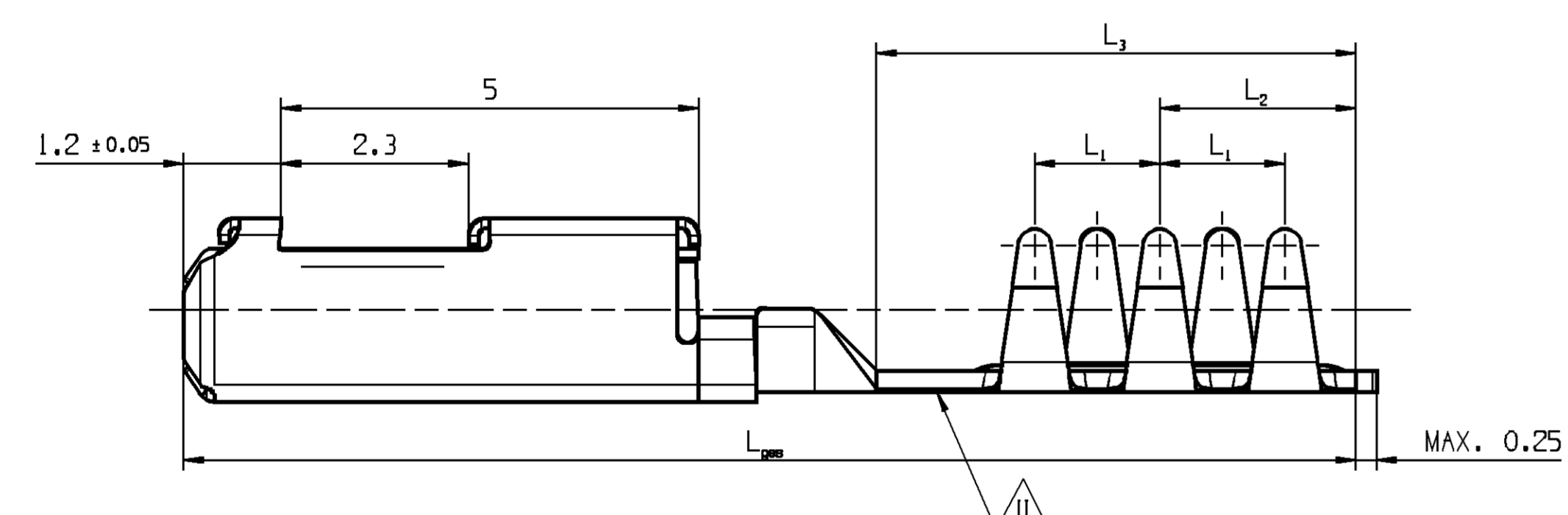


B-B 90°

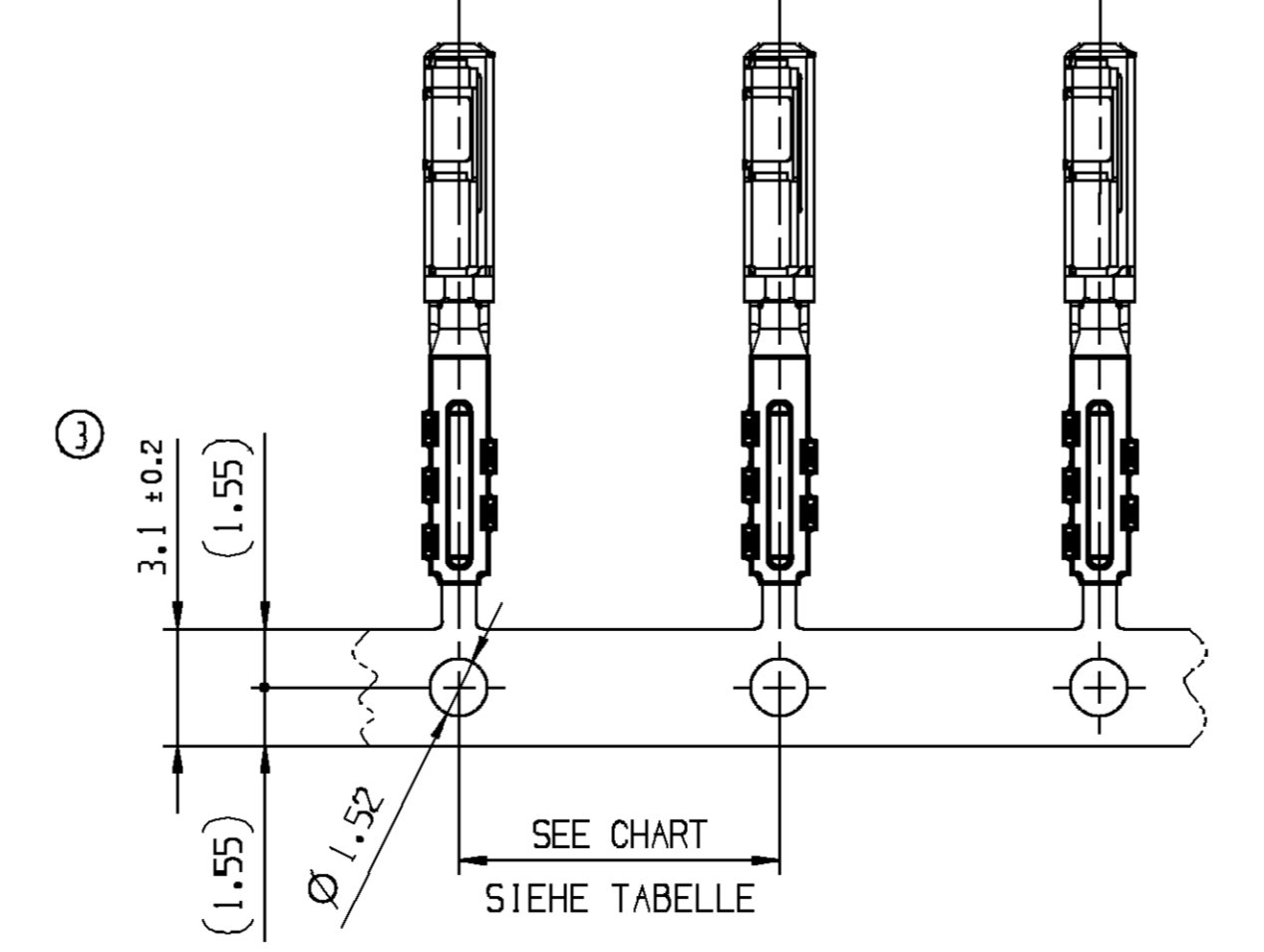


FLEXIBLE PRINTED CIRCUIT APPLICATION / FPC VARIANTE

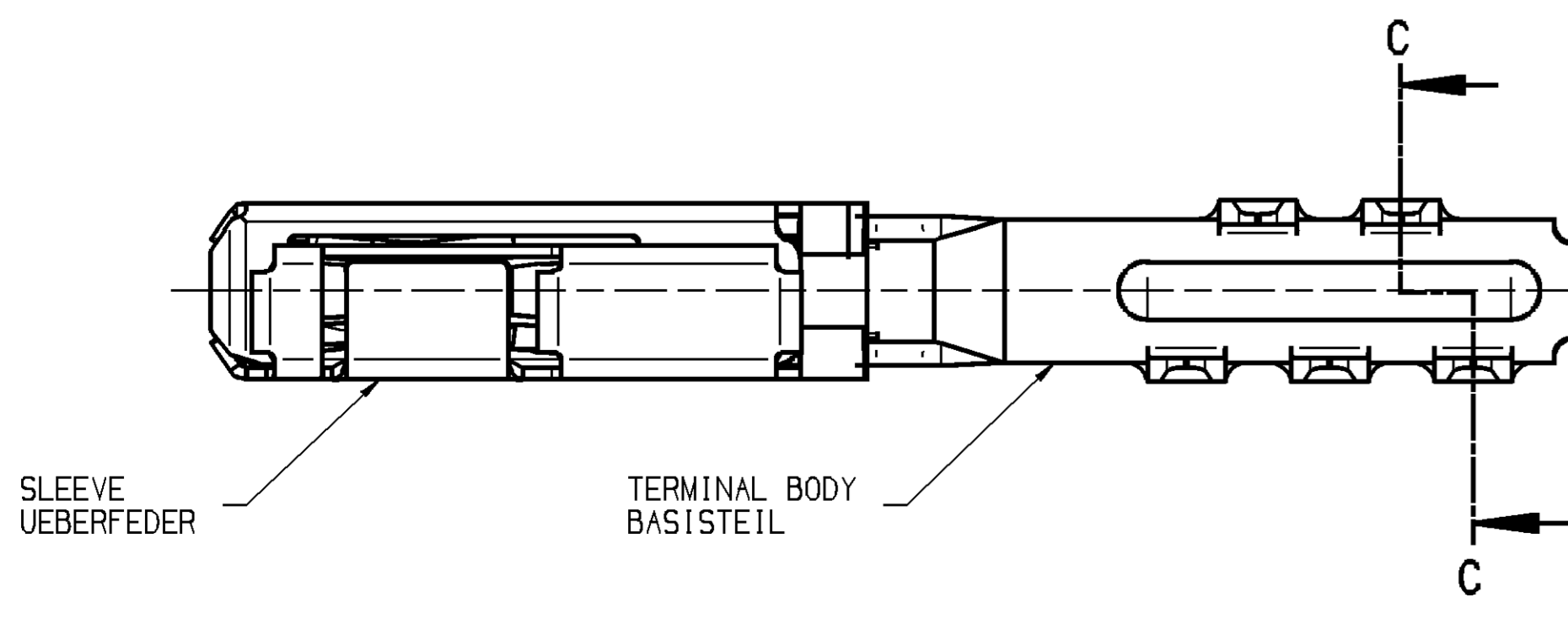
MISSING DIMENSIONS, SEE BASIC APPLICATION
FEHLENDE MASSE, SIEHE STANDARD VARIANTE



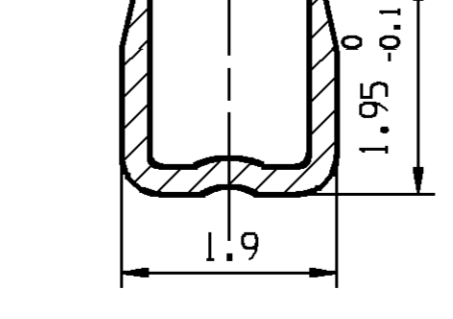
VIEW OF THE CARRIER STRIP IS NOT IN SCALE
ABBILDUNG DES ANBINDUNGS-STREIFENS NICHT MASSSTÄBLICH



PROGRESSION IN THE CRIMP DIE
TRANSPORTRICHTUNG IM CRIMPWERKZEUG



C-C 90°

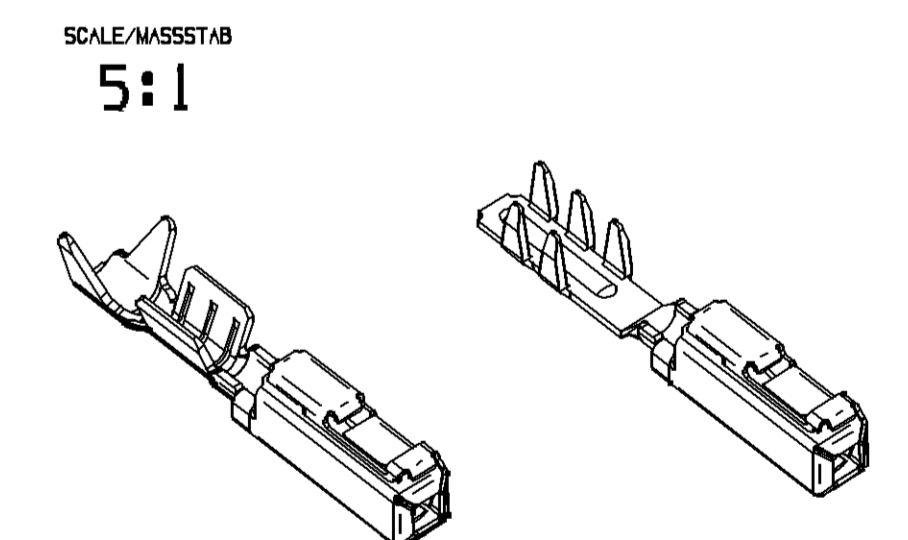
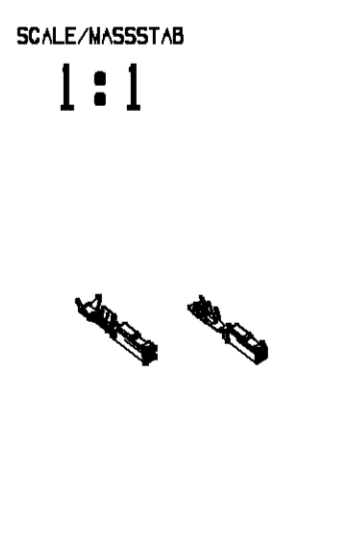


REMARKS / BEMERKUNGEN

- CRIMP MANUFACTURING PARAMETERS AND TOOLING ACCORDING TO DELPHI-SPECIFICATION
CRIMPVERARBEITUNGSPARAMETER UND WERKZEUGE GEMAESS DELPHI-SPECIFICATION
- SURFACE INDEX: Sn=I / Ag=II / Au=III
OBERFLAECHE-KENNZEICHNUNG: Sn=I / Ag=II / Au=III
- COMPANY LABEL
FIRMENZEICHEN
- DATECODE: WWYY
DATUMSCODE: WWJJ
- REVISION STATUS OUTSIDE OF ISOCRIMP
REVISIONSSTAND IM AUSSENBEREICH DES ISOCRIMP

GENERAL TOLERANCES ACCORDING TO: SEE CHART SIEHE TABELLE
GD&T ACCORDING TO: ISO 1101

DIMENSIONAL RANGE (MM) FROM 0 TO >12
TOLERANCE UNLESS OTHERWISE SPECIFIED ALLGEMEINTOLERANZEN
ANGULAR TOLERANCE ± 2° WINKELTOLERANZ ± 2°



DELPHI
DELPHI DEUTSCHLAND GMBH
D-42119 MÜPPERTAL
COPYRIGHT 2003 DELPHI CORPORATION AND/OR ITS AFFILIATES. ALL RIGHTS RESERVED.
THIS DRAWING IS THE PROPERTY OF DELPHI CORPORATION AND CONTAINS DELPHI CONFIDENTIAL INFORMATION. THE REPRODUCTION, DISTRIBUTION AND UTILIZATION OF THIS DOCUMENT OR ITS CONTENTS OR PARTS THEREOF, AS WELL AS COMMUNICATION OF ANY CONTENT TO OTHERS, WITHOUT EXPRESS AUTHORIZATION, IS PROHIBITED.
DESE ZEICHNUNG IST EIGENTUM DER FIRMA DELPHI UND ENTHALT DELPHI VERTRAULICHE INFORMATIONEN DIE REPRODUKTION, VERTEILUNG UND NUTZUNG DIESER DOKUMENTE ODER DIESER ZEICHNUNGEN SIND ODER SONST ALS KOPPIERUNG VON BEZUGEN INHALT ZU ANDEREN, IST OHNE BEZUGSBERECHTIGUNG DURCH DELPHI GEGENSTÄNDLICH UNLÄSSIG.

DR M.SACH	DATE 29SE03
APVD1 E.CVASA	30SE03
APVD2 R.WISNIEWSKI	2BJA04
APVD3	
APVD4	
APVD5	

SUBSTANCE OF CONCERN AND RECYCLED CONTENT PER DELPHI (DOWNDOWN)
POTENTIAL BEFÄHIGTE STOFFE UND REZYKLIERTEN INHALT
MATERIAL SEE CHART / SIEHE TABELLE

DRAWING NAME MICRO TERMINAL SYSTEM FEMALE TERMINALBODY BLOCKSEALING
MICRO TERMINAL SYSTEM STECKHUELSE BLOCKDICHTUNG

DRAWING NUMBER 15426814
SCALE 20:1 | OF 1 | OF 1 | R 04 AC
SIZE 2

DELPHI

CONTROLLED DOCUMENTS ARE ONLY AVAILABLE ON THE SERVER