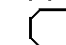
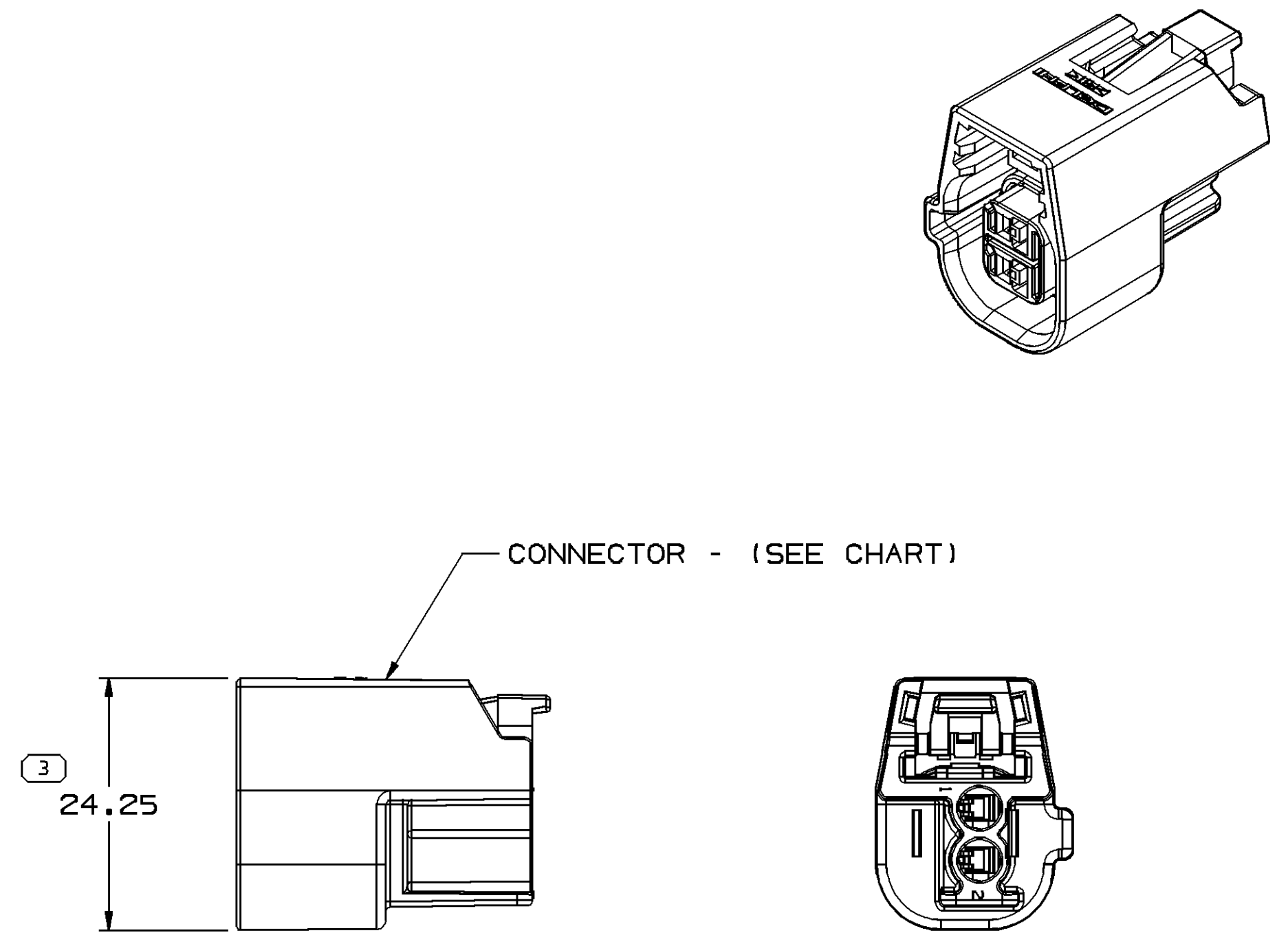
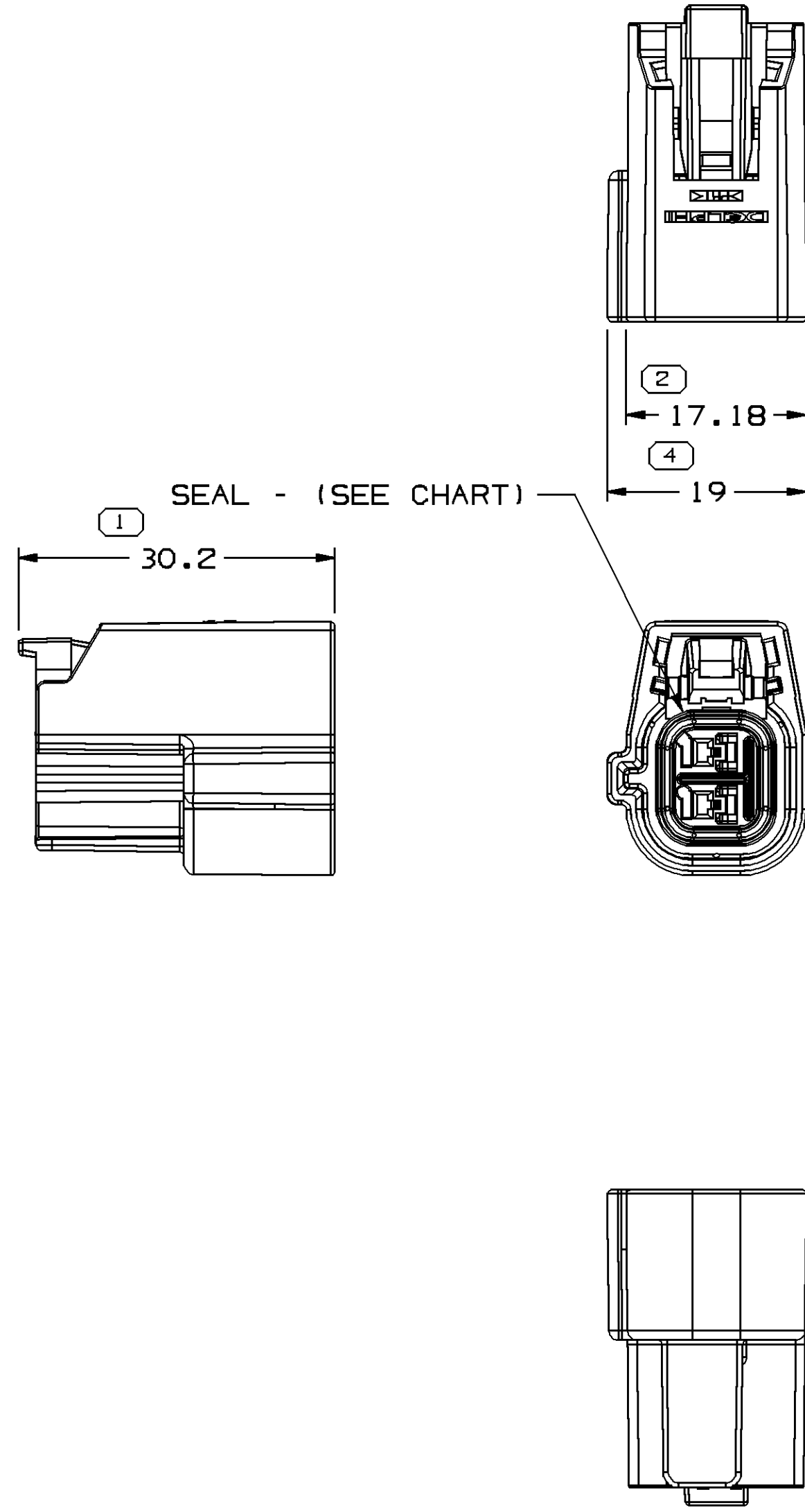


SYMBOL DEFINITION		MISSING SYMBOLS	
A DIMENSION WITHOUT AN INSPECTION REPORT SYMBOL  DOES NOT REQUIRE INSPECTION. IT MAY BE CONTROLLED ON THE INDIVIDUAL COMPONENT DRAWING.	TOTAL NO OF INSPECTIONS REQUIRED	NO MISSING SYMBOL NUMBER	
	4		
	LAST NO. USED		
	4		

DWG STATUS				REVISION HISTORY				AUTH		DR		APVD	
DATE	STG	REV	N/P	CHG	ZONE								
15FE07	R	01	-	-		RELEASED		400472	JS	JS	RMF		
04AP07	R	01	AA	-		REMOVED PACKAGING NOTE		401037	MM	MM	MJD		
16AP08	R	01	AB	-		UPDATED PDM ATTRIBUTES AND ADDED NOTE 4		404399	SAM	SAM	JMW		

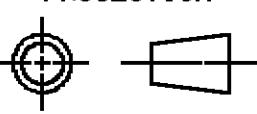
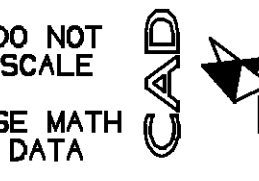



**NOTES**

- UNLESS OTHERWISE SPECIFIED AND/OR INDICATED:  
DIMENSIONS ARE TO FACE OF VIEW SHOWN AND AUTOMATICALLY ROUNDED BY COMPUTER FOR INSPECTION (SEE MATH MODEL FOR PRECISE DIMENSIONS). FOR ALL OTHER DIMENSIONS NOT SHOWN BUT REQUIRED FOR TOOL BUILD, SEE MATH MODEL FOR PRECISE TOOL PATH DATA.
- THIS PART ACCEPTS THE FOLLOWING COMPONENTS OR EQUIVALENT:  
CONNECTOR POSITION ASSURANCE LOCK 15423276
- SEALING CODE 4 - DESIGN WILL MEET REQUIREMENTS OF SAE/USCAR-2 CONNECTOR SYSTEM ENVIRONMENTAL TEST FLOWCHART (PRESSURE/VACUUM AND SUBMERSION).
- FOR APPLICATION DATA SEE THE APPLICATION DRAWING.

PART NO	CONNECTOR	SEAL
13627751	13627748	13595110

DIMENSIONAL RANGE (MM)		CHART		ET	
FROM	TO	> 0	> 30	> 70	> 100
		> 20	> 30	> 70	> 100
		> 200	> 250	> 300	> 400
TOLERANCE UNLESS OTHERWISE SPECIFIED					
±0.15		±0.2	±0.3	±0.4	±0.5
±0.6		±0.8	±1	±1.2	
ANGULAR TOLERANCE ±2°					

DWG TYPE <b>PART DRAWING</b>	
STYLE	
VOLUME (C/P)	DISTR CODE <b>D</b>
UNLESS OTHERWISE SPECIFIED THIS DOCUMENT IS IN ACCORDANCE WITH ASME Y14.5M-1994 AS AMENDED BY THE 0M GLOBAL DIMENSIONING AND TOLERANCING ADDENDUM-2001. SEPARATE PATTERNS OF FEATURES MAY BE GAGED SEPARATELY REGARDLESS OF DATUM REFERENCES.	
ALL DIMENSIONS ARE IN MILLIMETERS	
REFERENCE	
THIRD ANGLE PROJECTION	DO NOT SCALE
	
USE MATH DATA	

<b>DELPHI</b>	
DELPHI PACKARD ELECTRICAL/ELECTRONIC ARCHITECTURE WARREN, OH	
DR	DATE
APVD1 JOE SUDIK	15FE07
APVD2 JOE SUDIK	15FE07
APVD3 RICK FETCENKO	16FE07
APVD4	
APVD5	
SUBSTANCES OF CONCERN AND RECYCLED CONTENT PER DELPHI 10949001	
MATERIAL N/A	
DRAWING NAME ASM CONN 2 F 6T FBT 150 BLK SLD	
DRAWING NUMBER <b>13627751</b>	
SIZE A1	SCALE 2:1
FRAME NO 1 OF 1	SHEET NO 1 OF 1
STG R	REV 01
N/P AB	