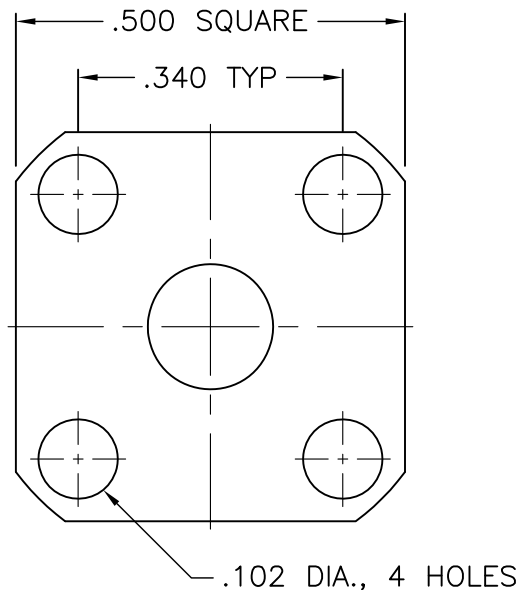
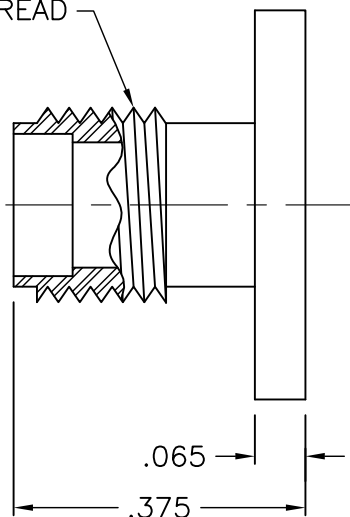




1363000K050-002

1/4-36 UNS-2A THREAD



NOTES:

1. MATERIAL: BODY - CORROSION RESISTANT STEEL PER ASTM A582
2. FINISHES: BODY - PASSIVATE PER SAE-AMS-2700

UNLESS OTHERWISE SPECIFIED: TOLERANCES: 3 PLACES = ±.005, 2 PLACES = ±.02, ANGLES = ±1/2°

-	OUTLINE	12/20/10
ALT.	REVISIONS	DATE

DELTA ELECTRONICS MFG. CORP. Beverly, MA 01915					
TITLE: SMA JACK DUMMY RECEPTACLE					
Drawn by BJM	Scale 4/1	Ckd. by BJM	Engr Appd MR	FILE NAME: 1363000K050-002T	
12/20/10					

THESE DRAWINGS AND SPECIFICATIONS ARE THE PROPERTY OF DELTA ELECTRONICS MFG CORP. AND SHALL NOT BE REPRODUCED, OR COPIED OR USED AS THE BASIS FOR THE MANUFACTURE OR SALE OF APPARATUS OR DEVICES WITHOUT THEIR EXPRESS WRITTEN CONSENT.

CODE IDENT.-00795

1363000K050-002