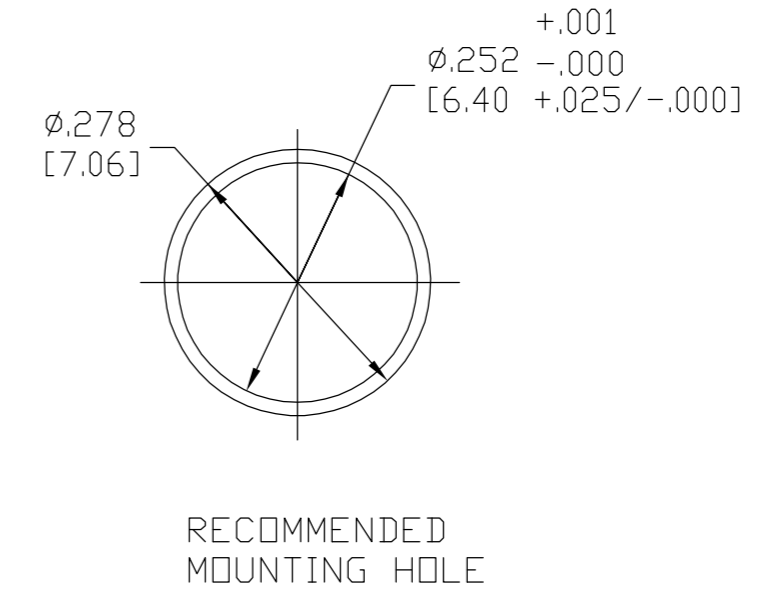
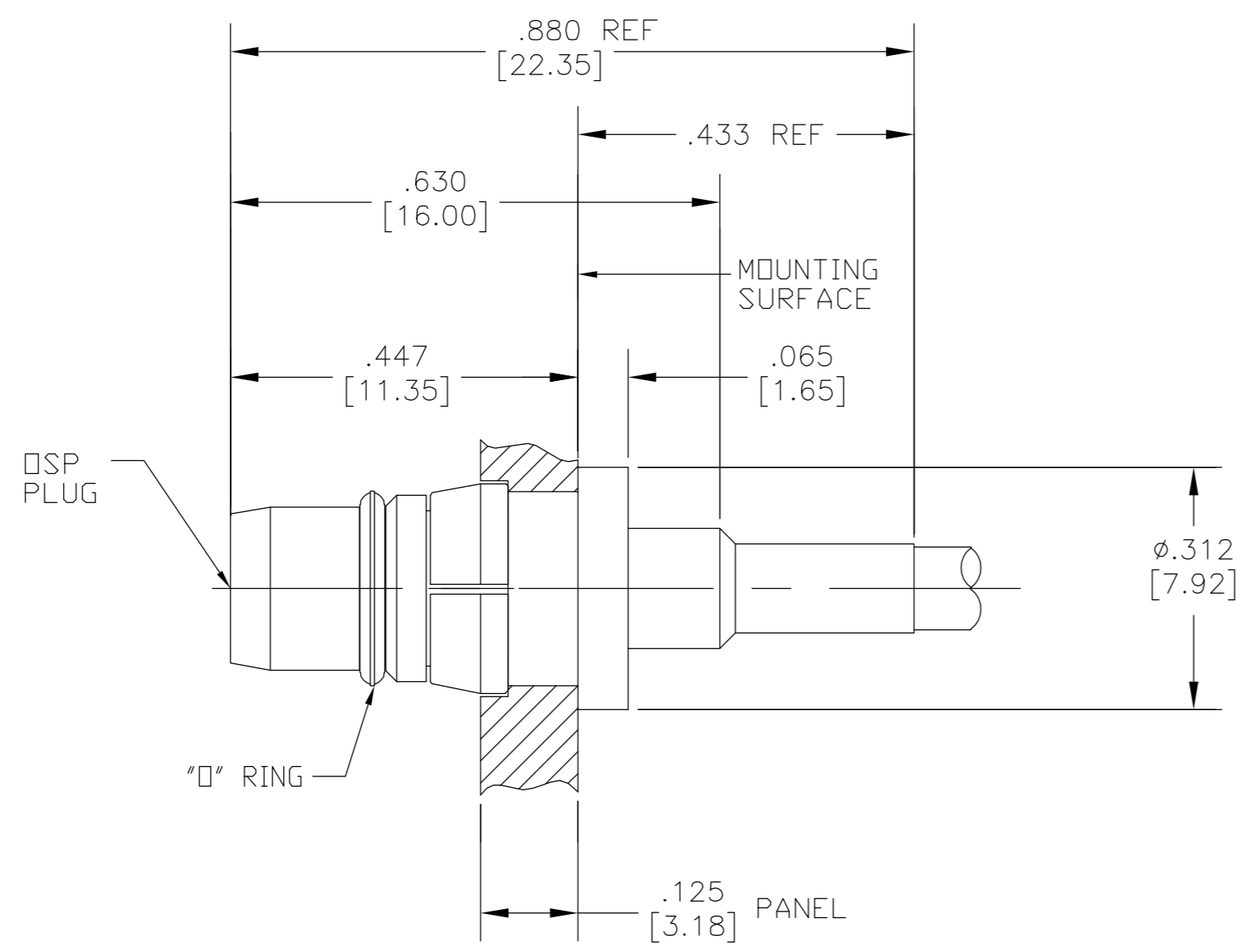


THIS DRAWING IS UNPUBLISHED. RELEASED FOR PUBLICATION
 © COPYRIGHT BY TYCO ELECTRONICS CORPORATION. ALL RIGHTS RESERVED.

LOC	DIST	REVISIONS					
DF	XO	P	LTR	DESCRIPTION	DATE	DWN	APVD
		B		REV PER ECO-07-002225	20FEB07	PY	RG



ELECTRICAL	MECHANICAL	ENVIRONMENTAL
NOMINAL IMPEDANCE (OHMS) 50 ± 1	Interface Dimensions Per MIL-STD-348A Fig. 321.1	TEMPERATURE RATING -65° TO $+125^{\circ}$ C
Frequency Range (GHz) DC to 18	Mating Characteristics:	Vibration MIL-STD-202, Method 204, Condition D
Volt Rating (VRMS MAX) @ Sea Level 335	Insertion (MAX Lbs) N/A	Shock MIL-STD-202, Method 213, Condition I
VSWR $1.05 + .005f(\text{GHz})$ DC to 18 GHz	Withdrawal (MIN Oz) N/A	Thermal Shock MIL-STD-202, Method 107, Condition B
Insertion Loss (dB MAX) $.03x\sqrt{f(\text{GHz})}$	Force to Engage (In-Lbs MAX) N/A & Disengage (In-Lbs MAX) N/A	Moisture Resistance MIL-STD-202, Method 106
RF Leakage (dB MIN) (Interface Only, Fully Mated) $-[90-f(\text{GHz})]$	Center Contact Captivation Axial (Lbs) 6	Corrosion - MIL-STD-202, Method 101, Condition B
Corona, 70,000 Ft (VRMS MIN) 335	Cable Retention Axial Force (Lbs MIN) 30	
Dielectric Withstanding Voltage (VRMS MIN) @ Sea Level 1000	Torque (In-Oz MIN) 16	
Contact Resistance (Milliohms MAX) Center Contact 2.0 Outer Contact 2.0 Cable to Housing 0.5	Weight (Grams) 2.7	
RF High Potential @ Sea Level (VRMS MIN @ 5 MHz) 670		
I.R.(Megohms MIN) 5000		

DESIGNED FOR USE WITH GORE G4 CABLE	
CABLE ENTRY DIAMETER MINIMUM	
HOUSING	.113
CONTACT	.0300

COMPONENT	MATERIAL	FINISH
HOUSING	STAINLESS STEEL PER ASTM-A484 AND ASTM-A582, TYPE 303	GOLD PLATE PER MIL-G-45204
DIELECTRIC	PTFE FLUOROCARBON PER ASTM-D-1457	N/A
CENTER CONTACT	BERYLLIUM COPPER PER ASTM-B-196 OR ASTM-B-197, ALLOY C17300, CONDITION H	GOLD PLATE PER MIL-G-45204
O-RING	NITRILE (BUNA-N) PER MIL-P-25732	N/A
SHRINK TUBING	HEAT SHRINKABLE POLYOLEFIN COMPOUND MIL-I-23053/4	N/A

THIS DRAWING IS A CONTROLLED DOCUMENT.

DWN P. YEAGER 19FEB2007	Tyco Electronics Corporation Harrisburg, PA 17105-3608
CHK R. GROSS 20FEB07	
APVD R. GROSS 20FEB07	
PRODUCT SPEC	
MATERIAL SEE TABLE	NAME OSP BULKHEAD FEEDTHRU CABLE PLUG DIRECT SOLDER ATTACHMENT
DIMENSIONS: INCHES	SIZE A2
TOLERANCES UNLESS OTHERWISE SPECIFIED:	CAGE CODE 00779
0 PLC ± -	DRAWING NO C=1363619
1 PLC ± -	RESTRICTED TO
2 PLC ± -	SCALE 5:1
3 PLC ± .005	SHEET 1 of 1
4 PLC ± -	REV B
ANGLES ± 1°	
FINISH SEE TABLE	
WEIGHT -	
CUSTOMER DRAWING	