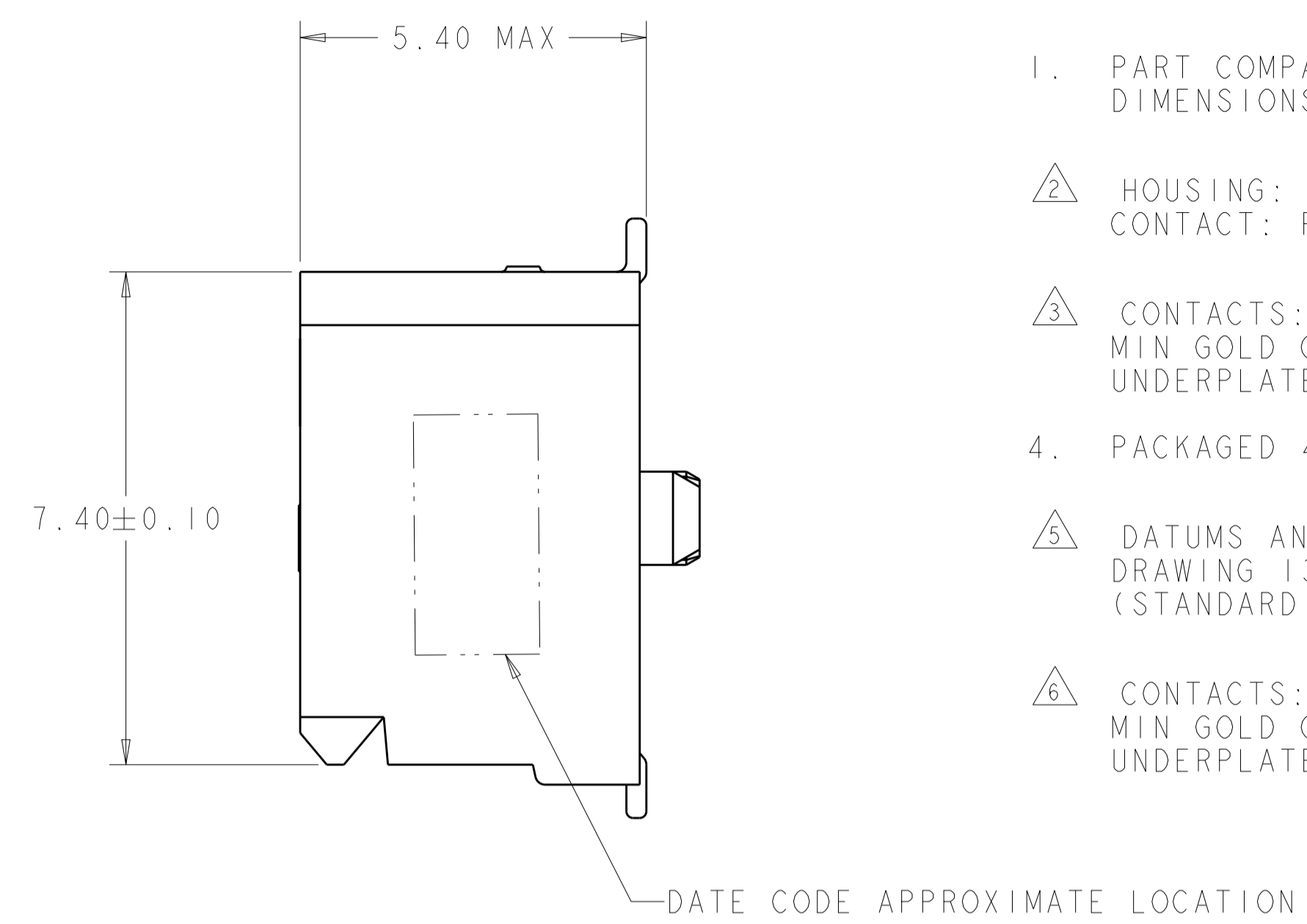
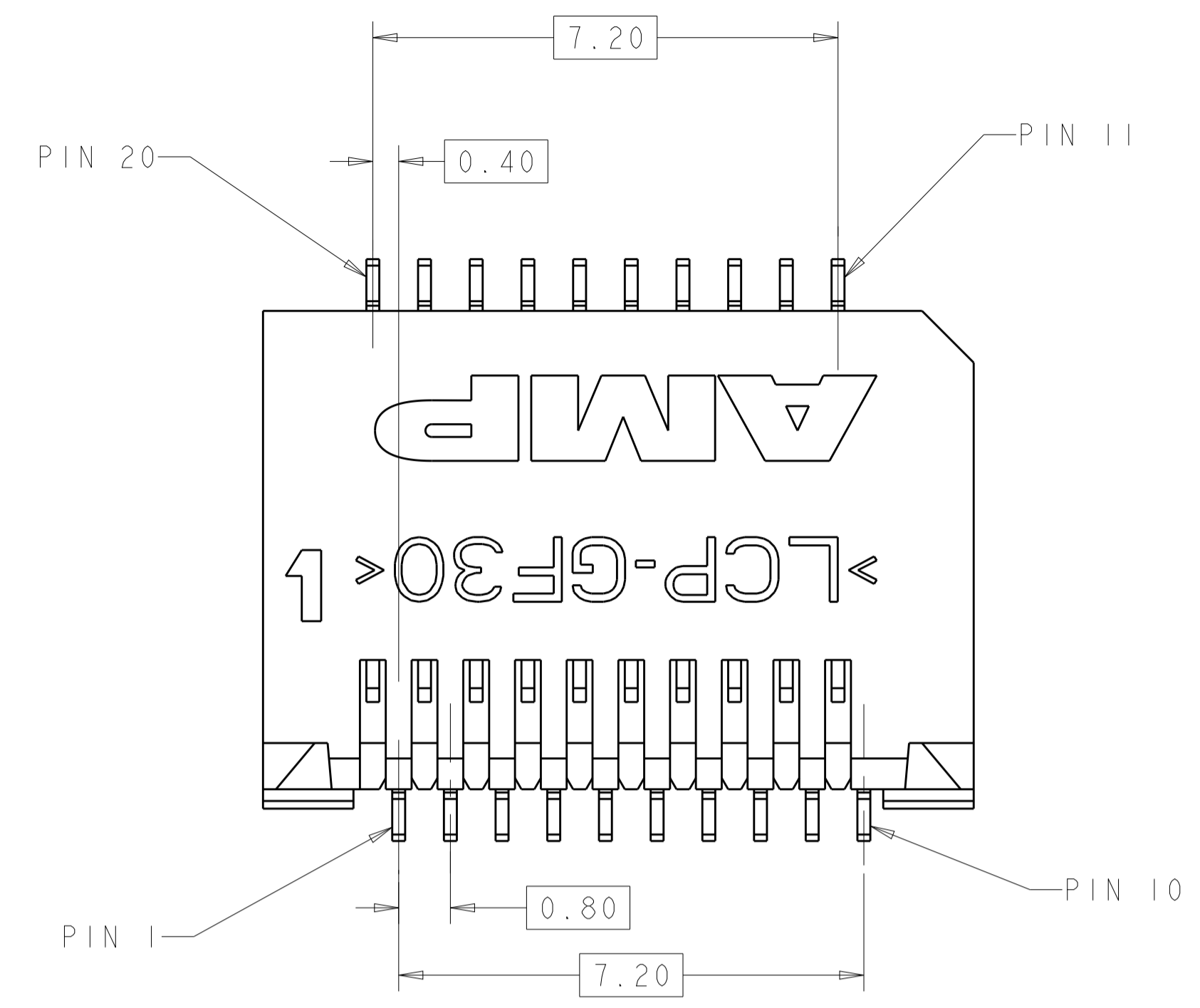
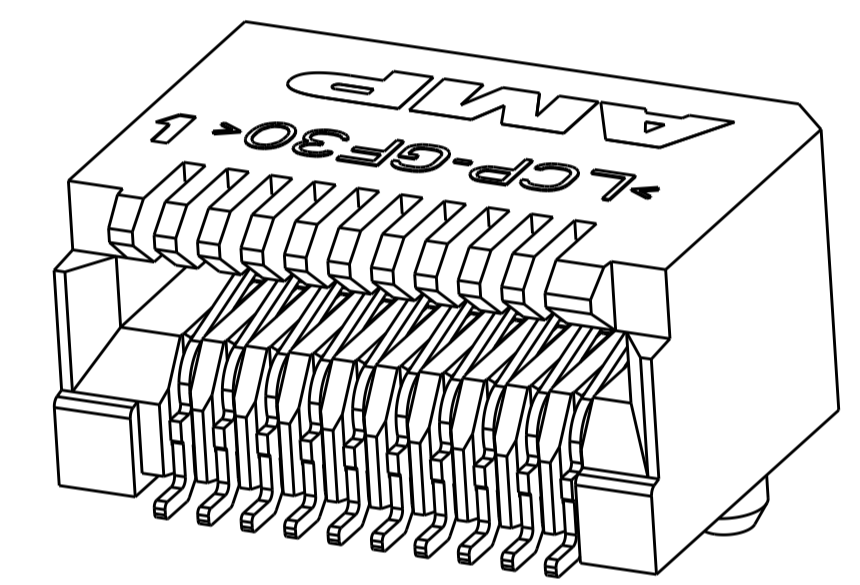
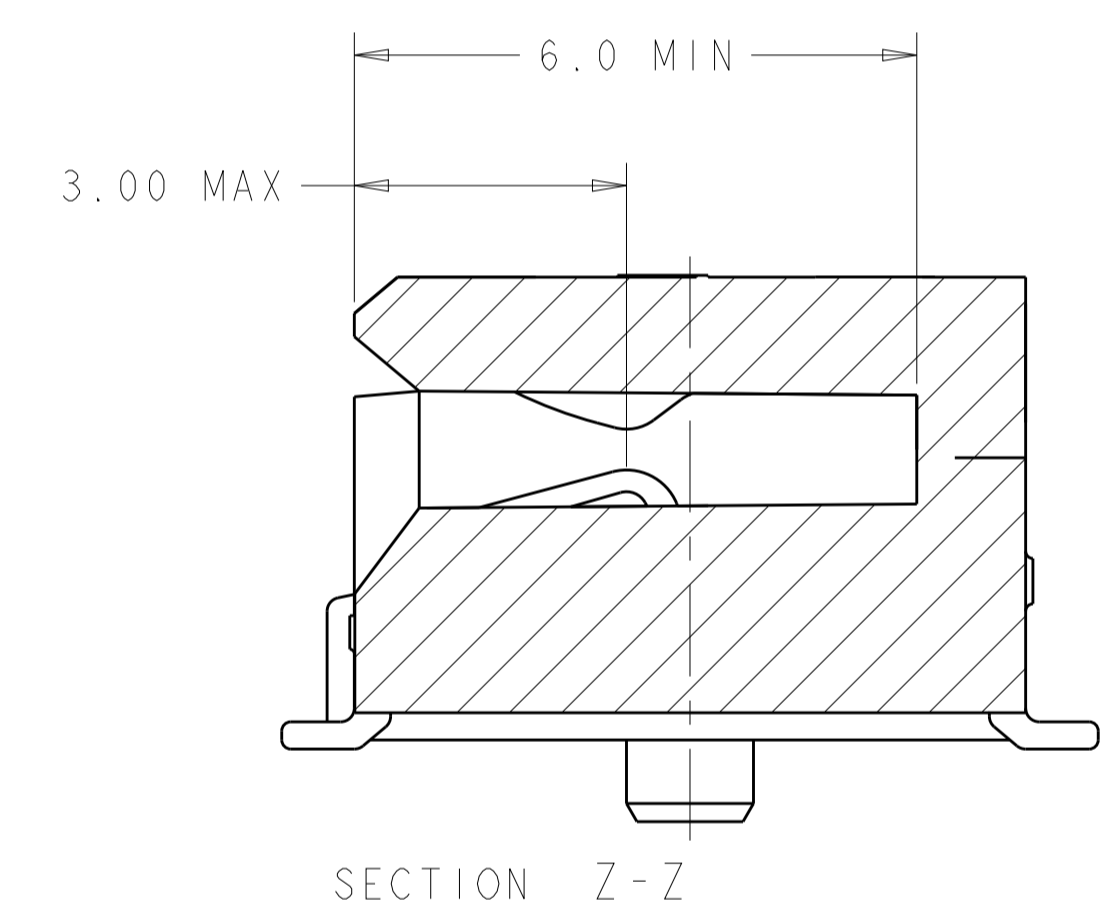
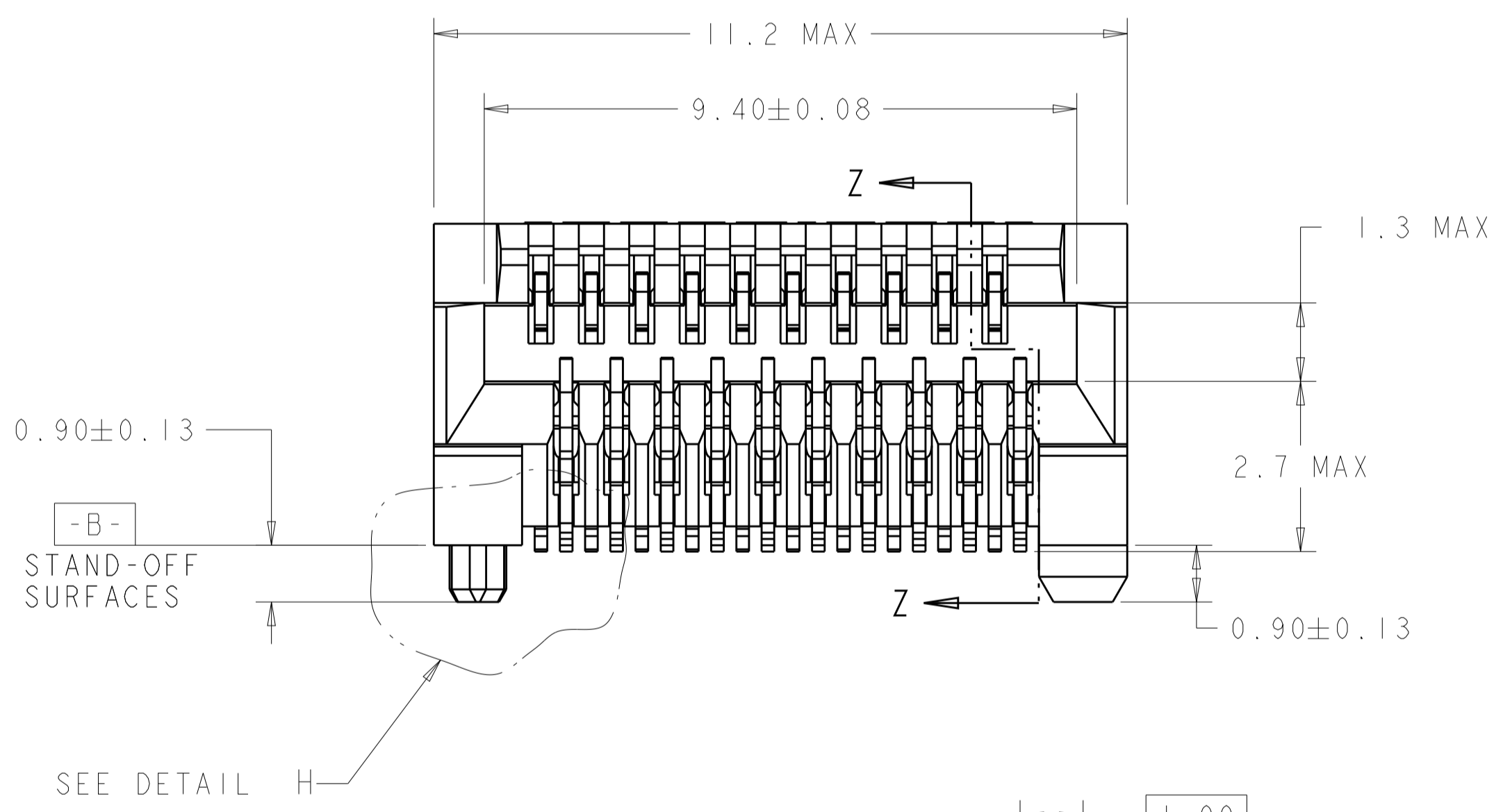


LOC	DIST	REV	DATE	BY	CHK	APVD
ES	00					

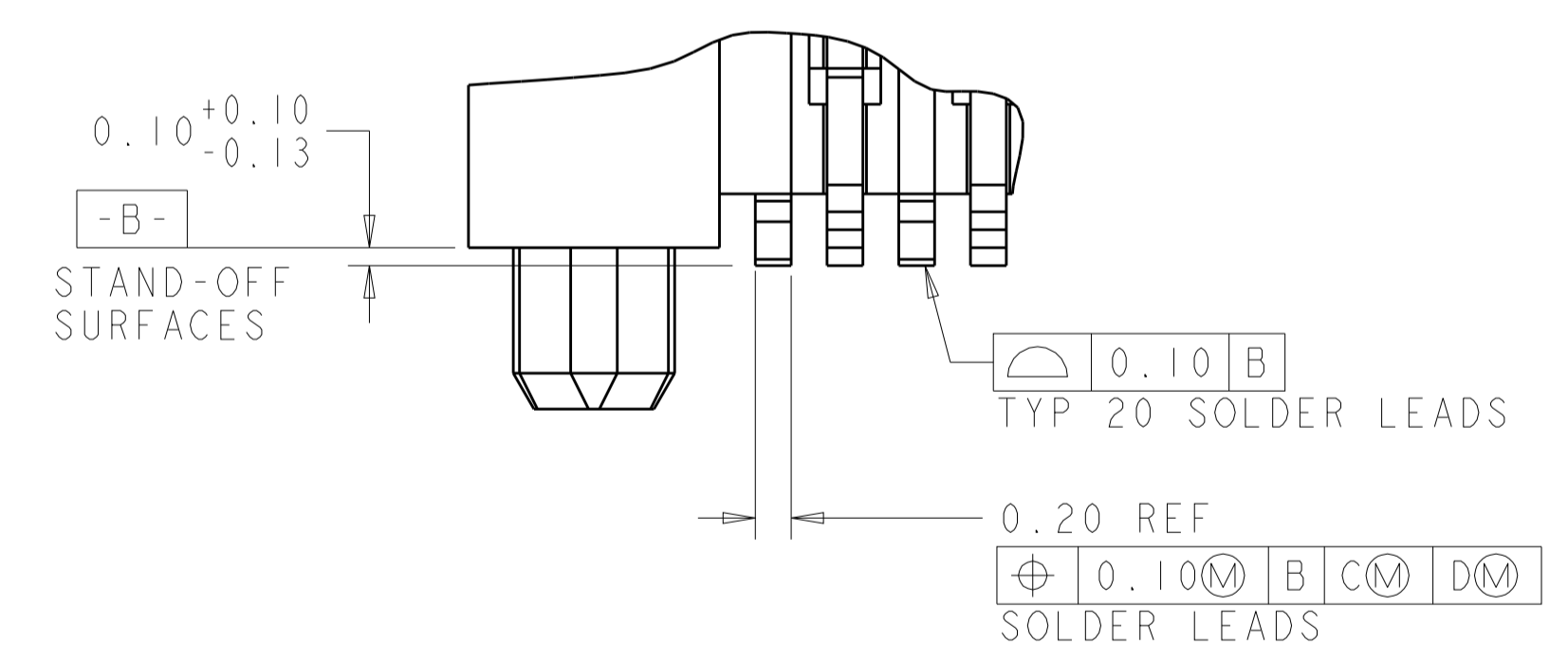
REVISIONS						
REV	DATE	BY	CHK	APVD	DESCRIPTION	DATE
K	18DEC2012	JY	AC		REVISED PER ECO-12-014566	
L	20JUN2017	JW	SH		UPDATE NICKEL PLATING THICKNESS	
M	24JUN2019	IT	SH		REVISED PER ECR-19-009785	
M1	27AUG2019	IT	SH		CHANGE SLOT TO 1.3 MAX	



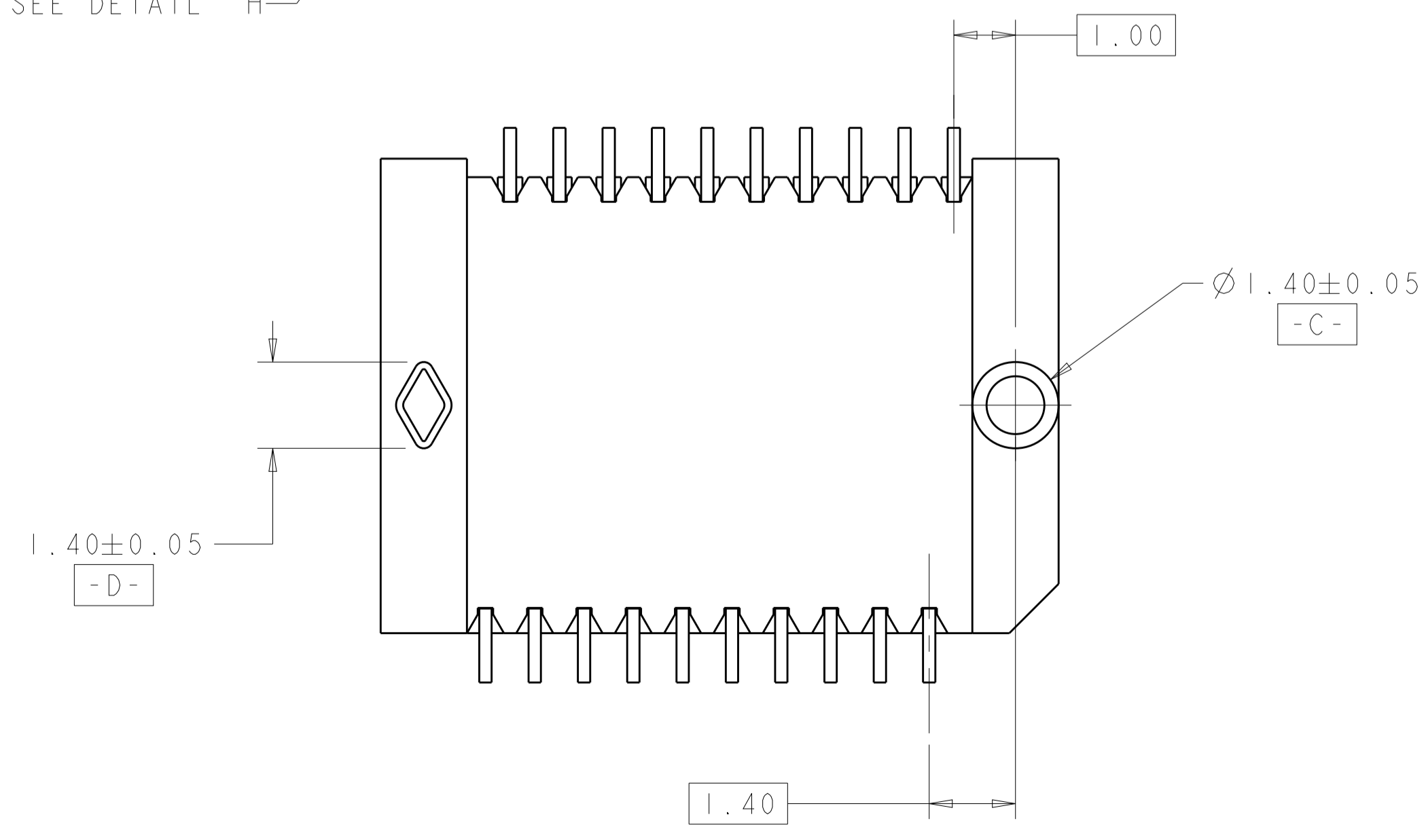
- PART COMPATIBLE WITH SFP MSA. REFER TO THE SFP MSA FOR DIMENSIONS NOT SHOWN ON THIS PRINT.
- HOUSING: HIGH TEMPERATURE LCP, UL 94V-0 RATED, BLACK. CONTACT: PHOSPHOR BRONZE.
- CONTACTS: 0.00038 MIN GOLD IN CONTACT AREA, 0.00013 MIN GOLD ON SOLDER AREA, OVER 0.00127 MIN NICKEL UNDERPLATE ON ENTIRE CONTACT.
- PACKAGED 480 PIECES PER REEL.
- DATUMS AND BASIC DIMENSIONS TO BE ESTABLISHED BY CUSTOMER, SEE DRAWING 1367034 FOR LAYOUT WHEN USED WITH 1367034-1 BOTTOM CAGE (STANDARD SFP APPLICATION).
- CONTACTS: 0.00076 MIN GOLD IN CONTACT AREA, 0.00013 MIN GOLD ON SOLDER AREA, OVER 0.00127 MIN NICKEL UNDERPLATE ON ENTIRE CONTACT.



SCALE 8:1



DETAIL H
SCALE 25:1



SEE PAGE 2	3	1367073-6
YES	6	1367073-4
YES	3	1367073-3
NO	6	1367073-2
NO	3	1367073-1
DATE CODE	FINISH	PART NUMBER

THIS DRAWING IS A CONTROLLED DOCUMENT.

OWN: P. KERLIN, 01MAR2000
 CHK: E. BRIGHT, 01MAR2000
 APVD: E. BRIGHT, 01MAR2000

DIMENSIONS: mm
 TOLERANCES UNLESS OTHERWISE SPECIFIED:
 0 PLC ±
 1 PLC ±0.10
 2 PLC ±
 3 PLC ±
 4 PLC ±
 ANGLES ±

MATERIAL: SEE TABLE
 FINISH: SEE TABLE

PRODUCT SPEC: 108-1949
 APPLICATION SPEC: 114-13017
 WEIGHT: -
 Customer Drawing

NAME: PT CONNECTOR ASSEMBLY, 20 POSITION, SFP, RTANG, 0.8MM

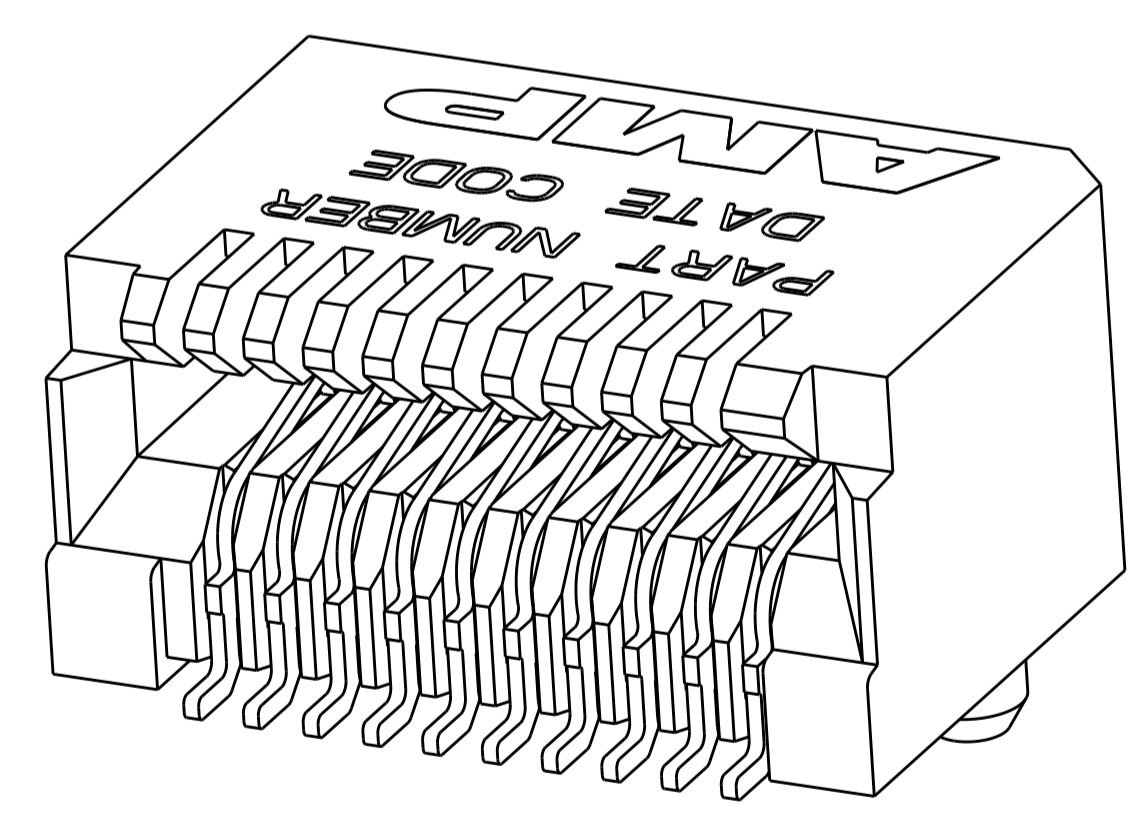
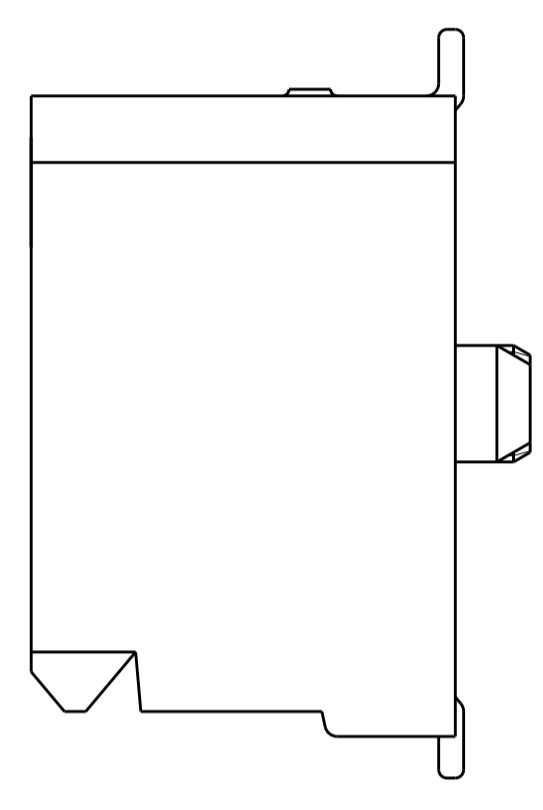
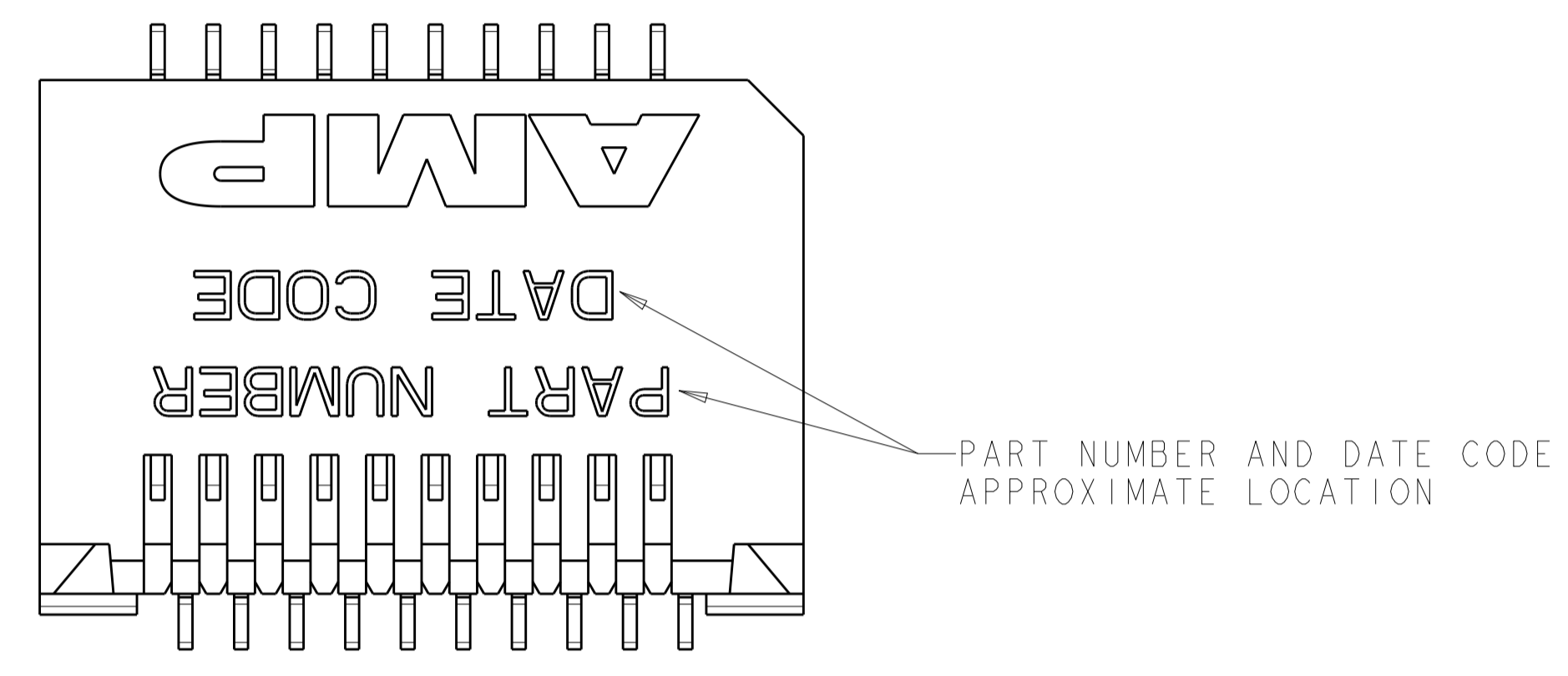
SIZE: A1
 CAGE CODE: 100779
 DRAWING NO: 1367073

RESTRICTED TO: -
 REV: M1

SCALE: 12:1
 SHEET: 1 OF 3

LOC	DIST	REV	DATE	BY	APPV
ES	00				
REVISIONS					

1367073-6 AS SHOWN
 PRINT PART NUMBER AND DATE CODE ON TOP
 ALL OTHERS SAME AS 1367073-1



1367073-1 AS SHOWN
 SCALE 11:1

THIS DRAWING IS A CONTROLLED DOCUMENT.		OWN P. KERLIN 01MAR2000	TE Connectivity
DIMENSIONS:		CHK E. BRIGHT 01MAR2000	
TOLERANCES UNLESS OTHERWISE SPECIFIED:		APPV E. BRIGHT 01MAR2000	
mm		NAME	
0 PLC ±	1 PLC ±0.10	PRODUCT SPEC	PT CONNECTOR ASSEMBLY, 20 POSITION, SFP, RTANG, 0.8MM
2 PLC ±	3 PLC ±	APPLICATION SPEC	
4 PLC ±	ANGLES ±	SIZE	A100779C=1367073
MATERIAL	FINISH	WEIGHT	RESTRICTED TO
		Customer Drawing	SCALE 12:1 SHEET 2 OF 3 REV. M