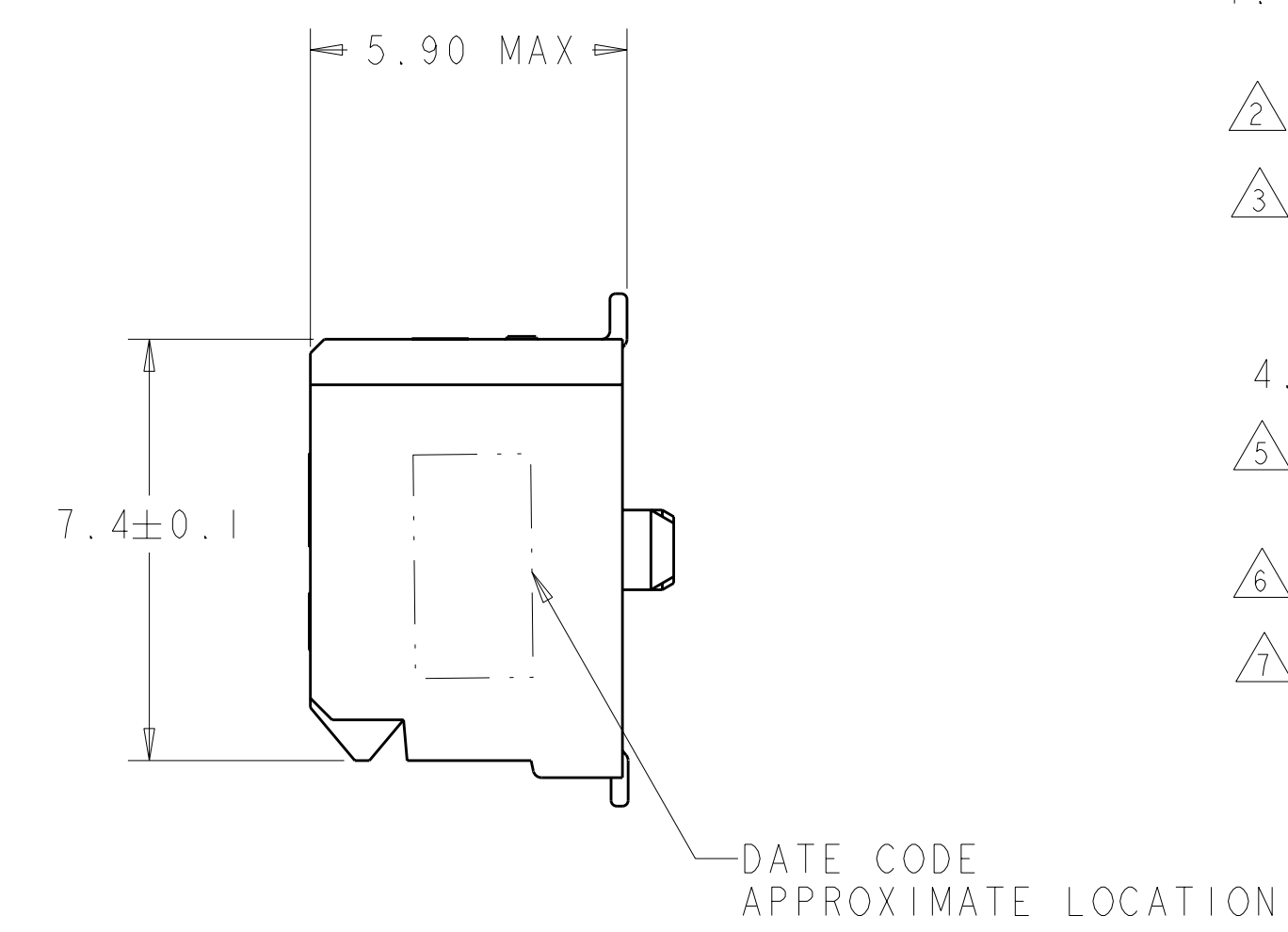
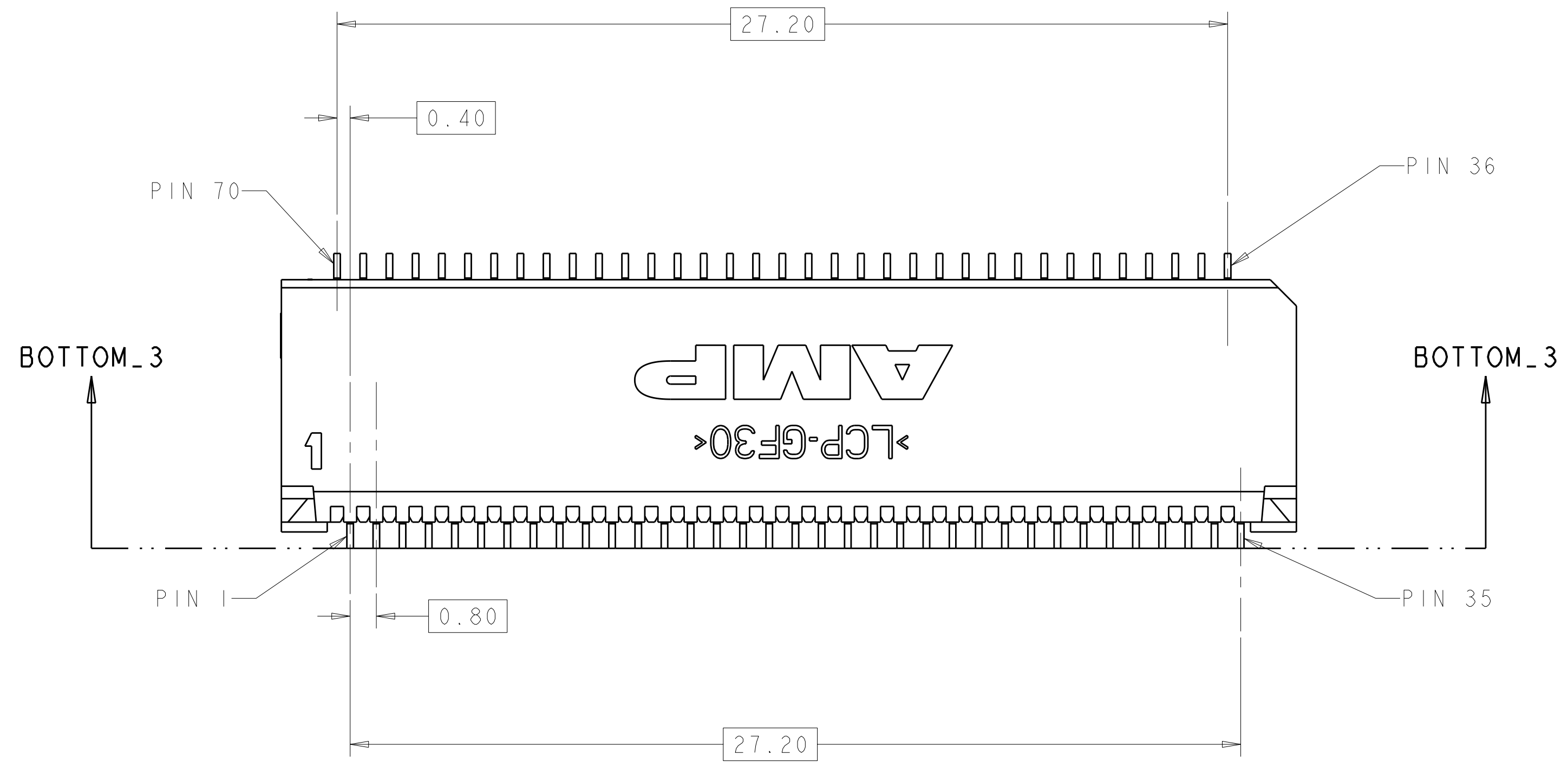
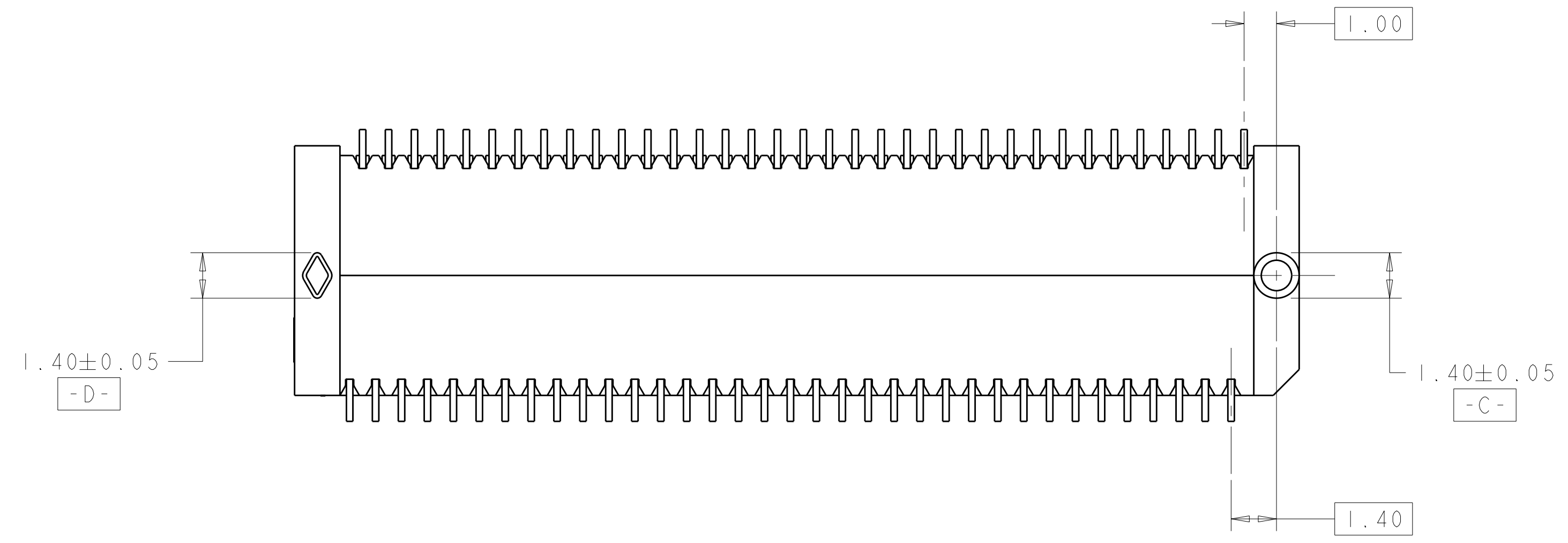
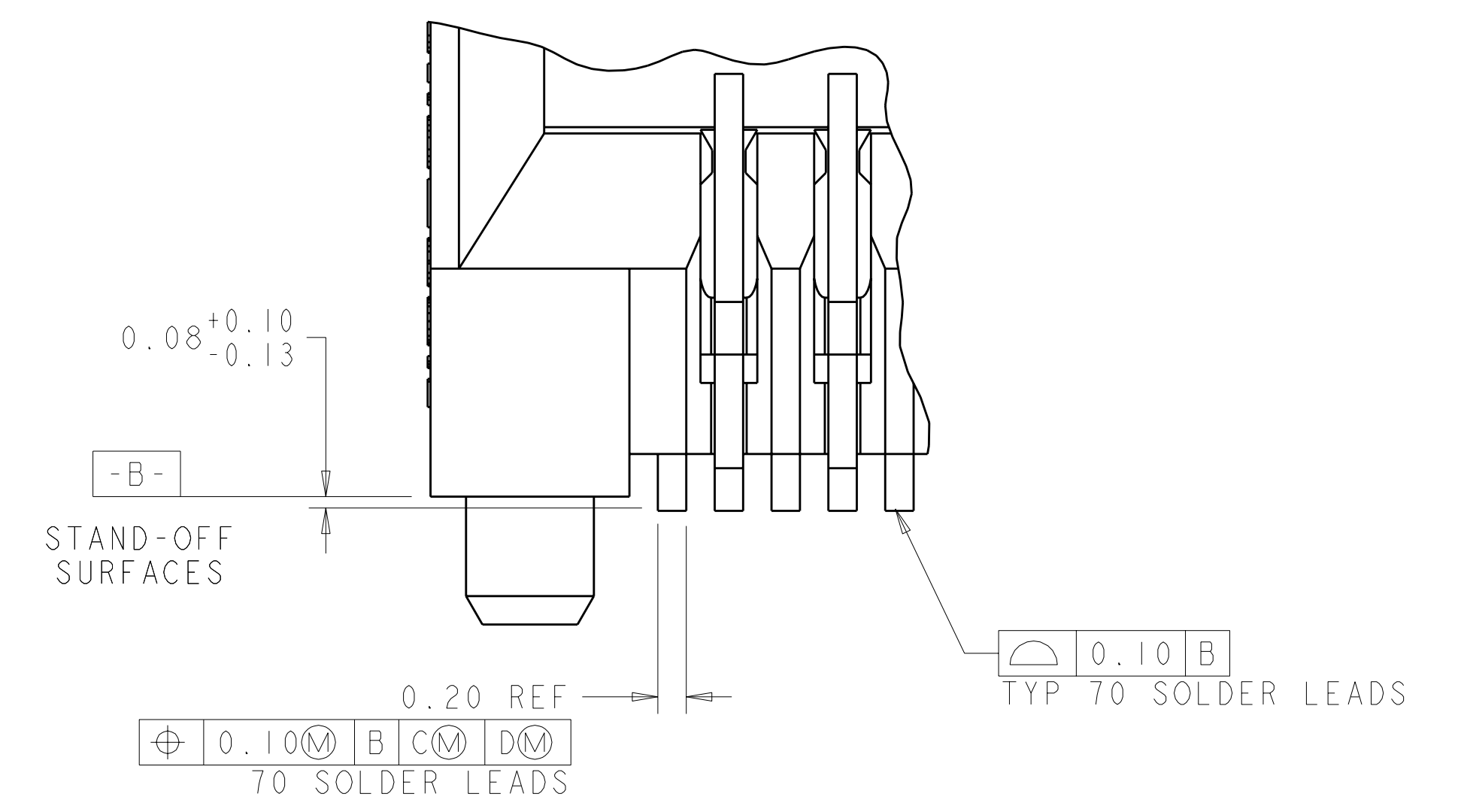
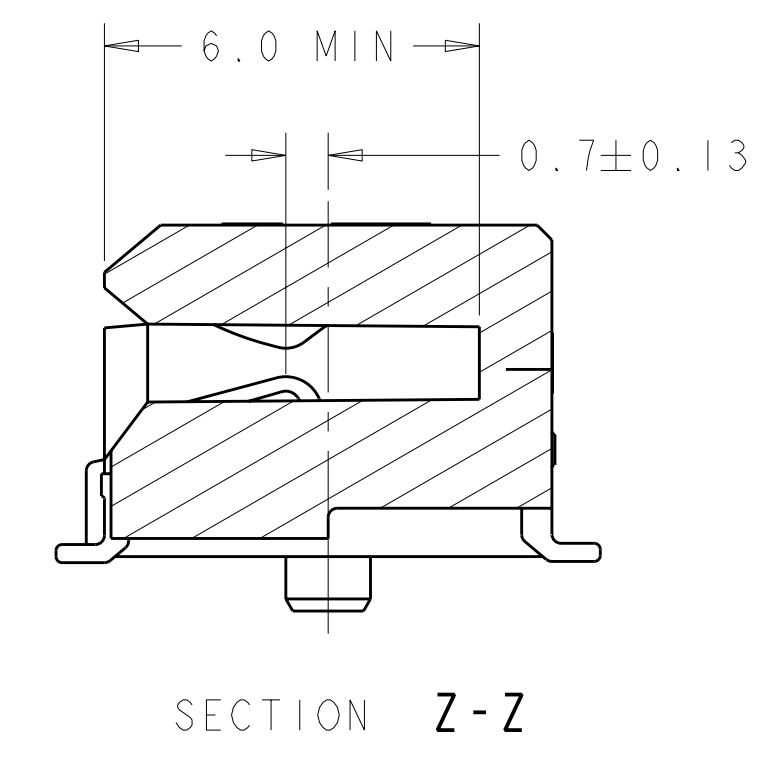
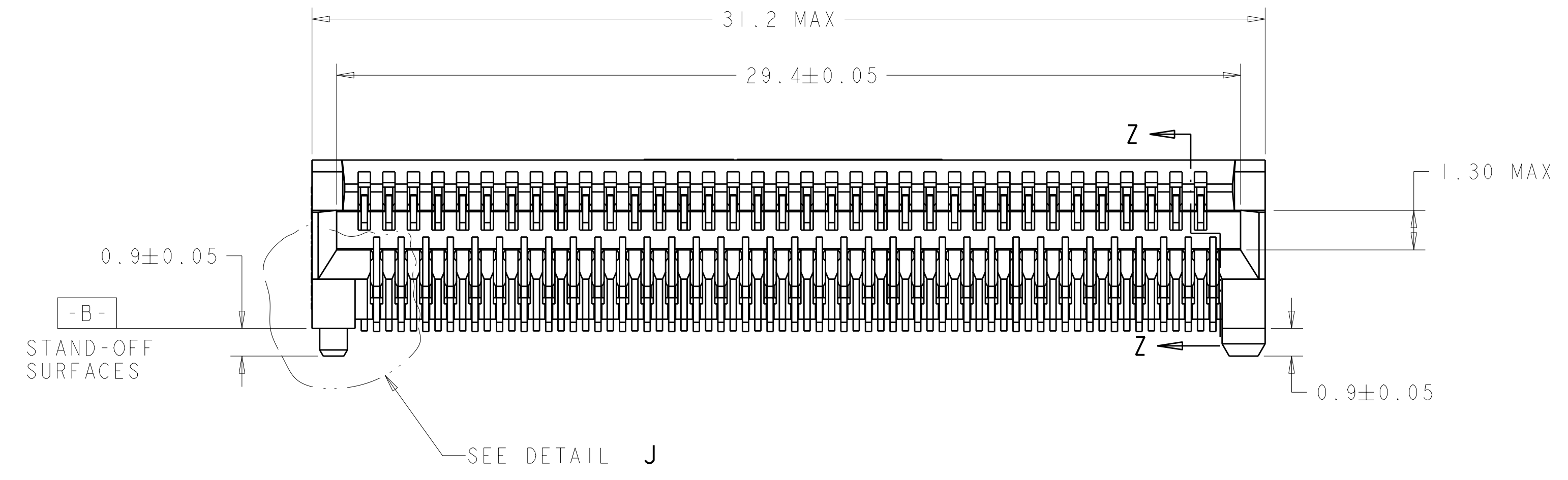
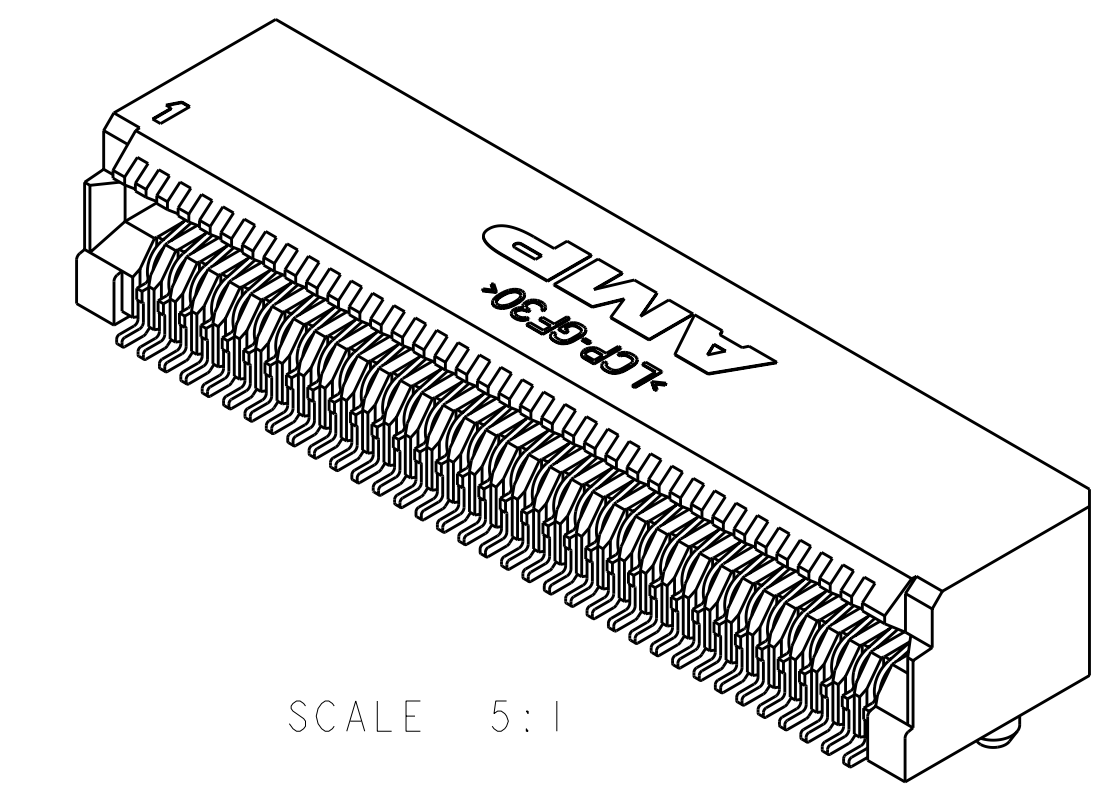


LOC	DIST	REV	DATE	BY	APPD
ES	00				
H3		ECR-11-001732	25JAN2011	KS	MO, W
H4		REVISED PER ECR-11-009789	11MAY2011	KS	MO, W



- PART COMPATABLE XENPAK & X2 MSA. REFER TO THESE MSA'S FOR DIMENSIONS NOT SHOWN ON THIS PRINT.
- HOUSING: HIGH TEMPERATURE LCP, UL 94V-0 RATED, BLACK.
- CONTACTS: 0.00038 MIN GOLD IN CONTACT AREA, 0.00013 MIN GOLD ON SOLDER AREA, OVER 0.0038 MIN NICKEL UNDERPLATE ON ENTIRE CONTACT.
- PACKAGED 480 PIECES PER REEL.
- GROUND, POWER AND SIGNAL PAD ARRANGEMENT TO BE DETERMINED BY CUSTOMER.
- DATUMS AND BASIC DIMENSIONS ESTABLISHED BY CUSTOMER.
- CONTACTS: 0.00076 MIN GOLD IN CONTACT AREA, 0.00013 MIN GOLD ON SOLDER AREA, OVER 0.0038 MIN NICKEL UNDERPLATE ON ENTIRE CONTACT.



DETAIL J  
SCALE 25:1

YES	△1	1367337-4
YES	△3	1367337-3
NO	△7	1367337-2
NO	△3	1367337-1
DATE CODE	FINISH	PART NUMBER

THIS DRAWING IS A CONTROLLED DOCUMENT.

AWN: D. BROCKWAY 12FEB01  
 CHK: J. KOPPENHEFFER 08JUN01  
 APVD: S. GOOD 08JUN01

TE Connectivity  
**PT CONNECTOR ASSEMBLY, 70 POSITION, RTANG, 0.8MM**

PRODUCT SPEC: 108-1949  
 APPLICATION SPEC: 114-13017

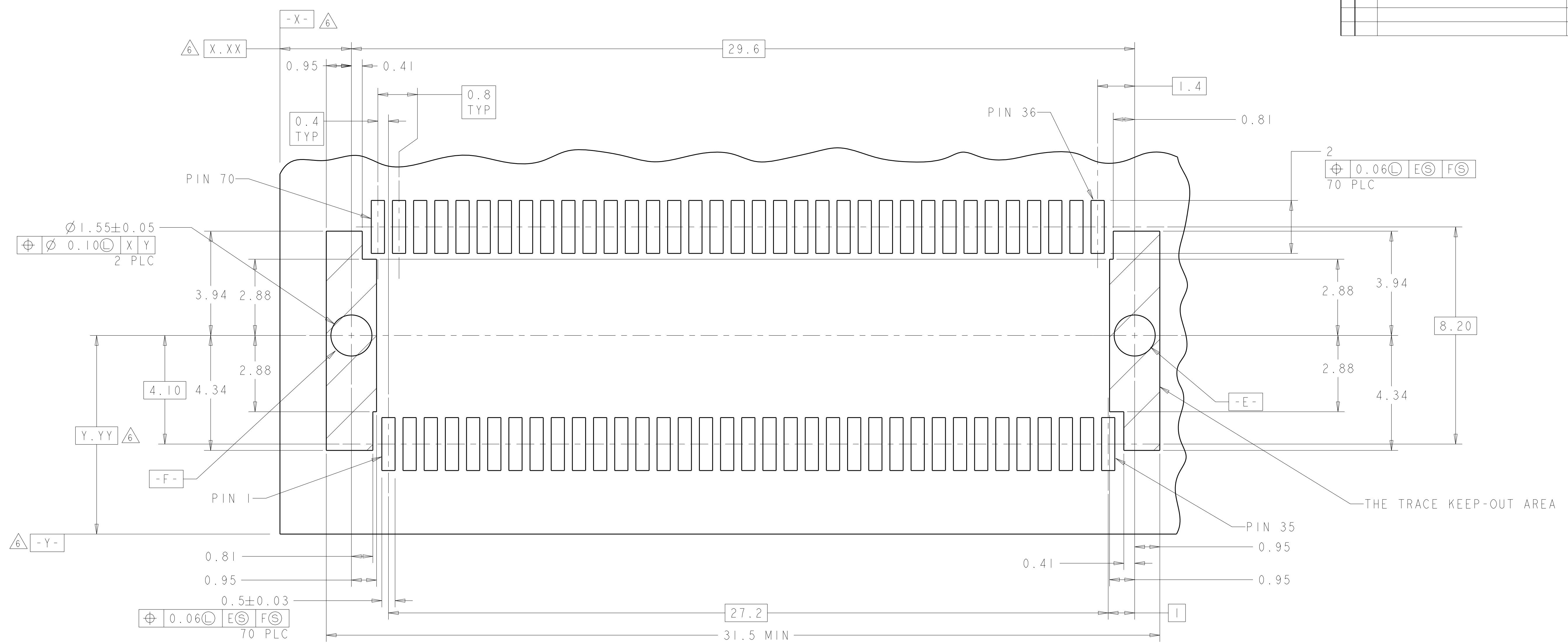
SIZE: A100779 CAGE CODE: 1367337  
 DRAWING NO: 1367337

SCALE: 8:1 SHEET: 1 OF 2 REV: H4

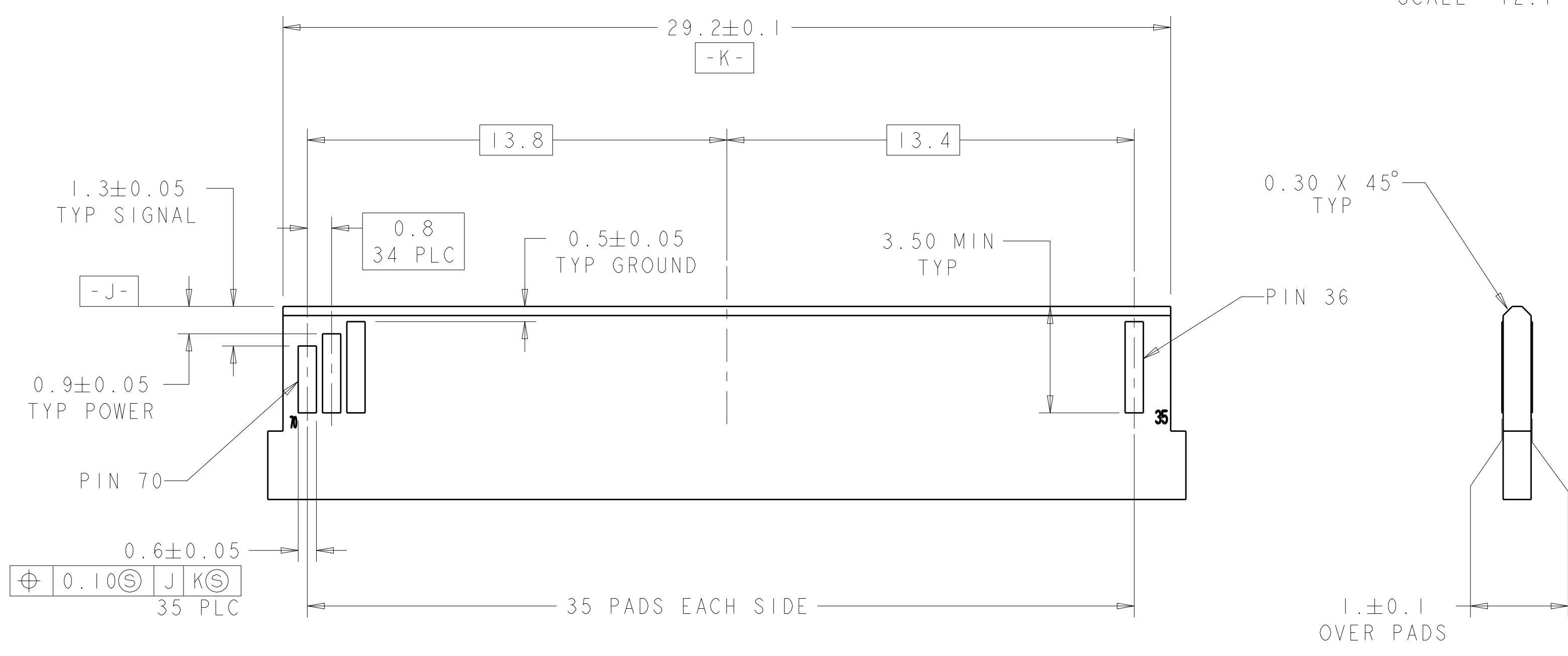
LOC	DIST	REV	DATE	BY	APPD
ES	00				

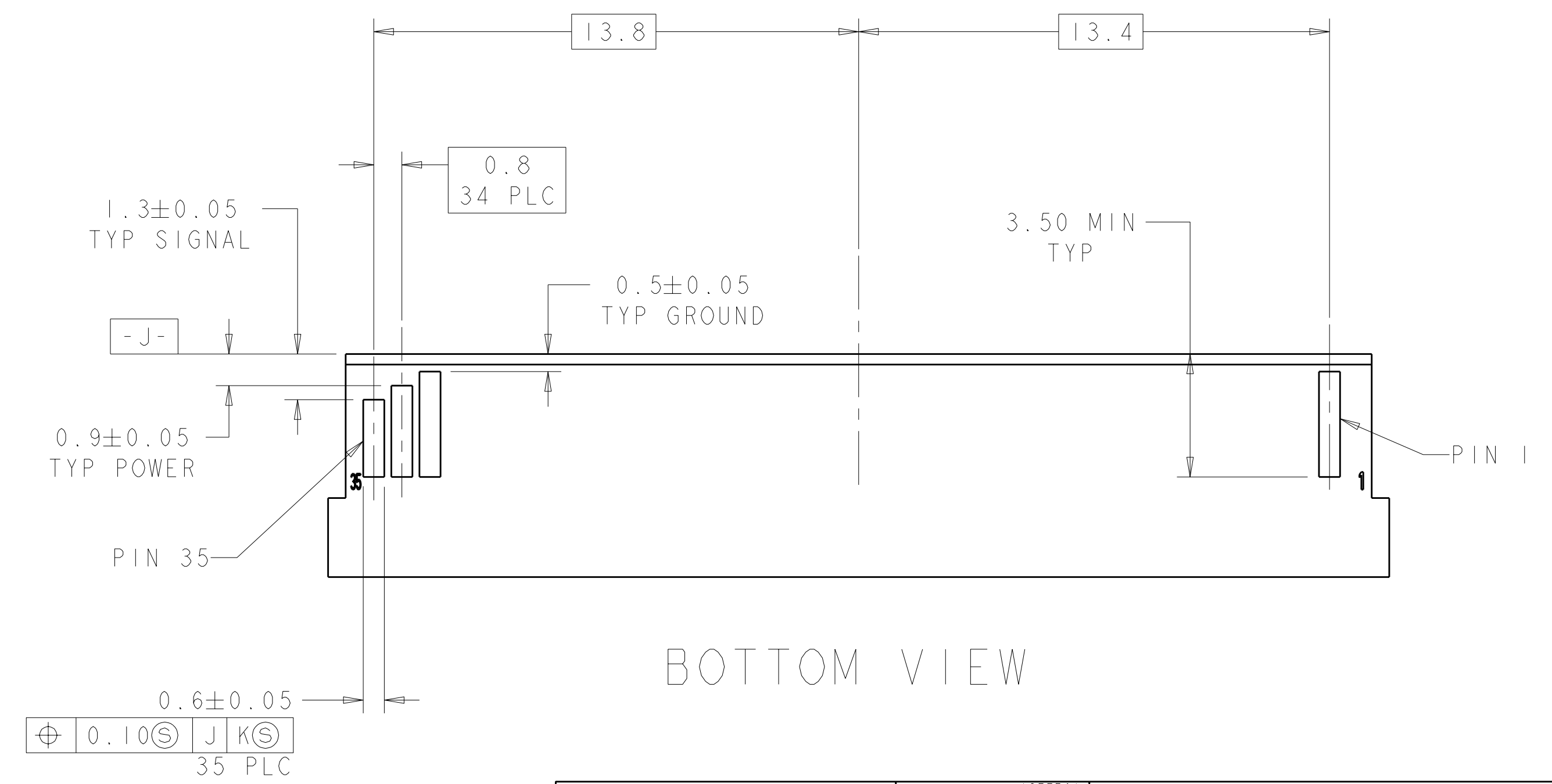
REVISIONS		DATE	BY	APPD
1	SEE SHEET 1			



RECOMMENDED PCB LAYOUT DETAIL  
CONNECTOR MOUNTING SIDE  
SCALE 12:1



TOP VIEW



BOTTOM VIEW

RECOMMENDED LAYOUT DETAIL  
MATING PCB

THIS DRAWING IS A CONTROLLED DOCUMENT.		DWN: D. BROCKWAY 12FEB01		REV: J. KOPPENHEFFER 08JUN01	
DIMENSIONS: mm		TOLERANCES UNLESS OTHERWISE SPECIFIED:		MATERIAL: SEE TABLE	
9 PLC	±	PRODUCT SPEC	108-1949	SIZE	A100779
8 PLC	±0.10	APPLICATION SPEC	114-13017	CAGE CODE	1367337
5 PLC	±	WEIGHT		SCALE	8:1
4 PLC	±	CUSTOMER DRAWING		SHEET	2 OF 2
ANGLES	±			REV	H4



PT CONNECTOR ASSEMBLY, 70 POSITION, RTANG, 0.8MM