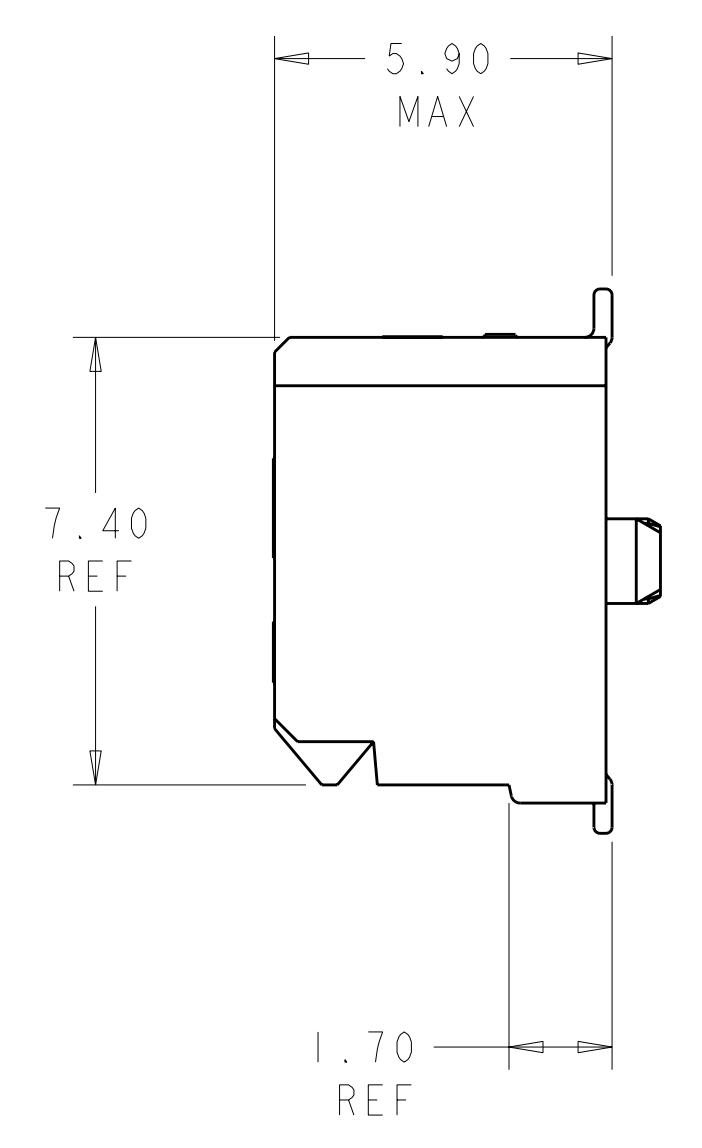
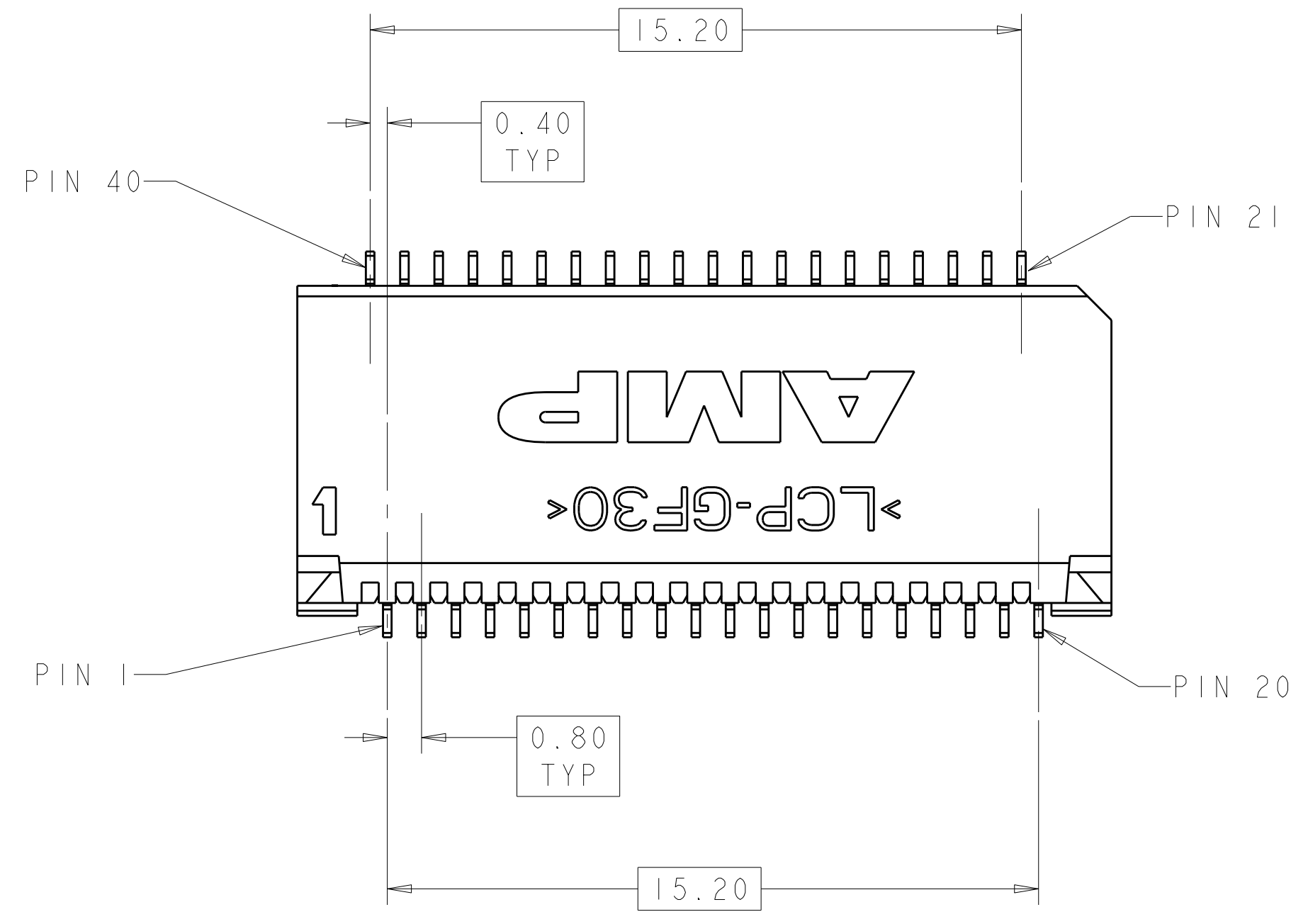
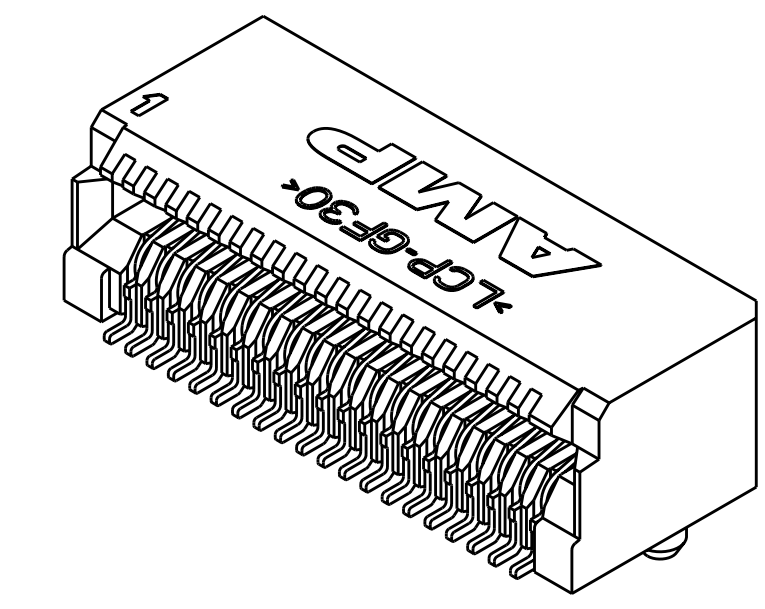


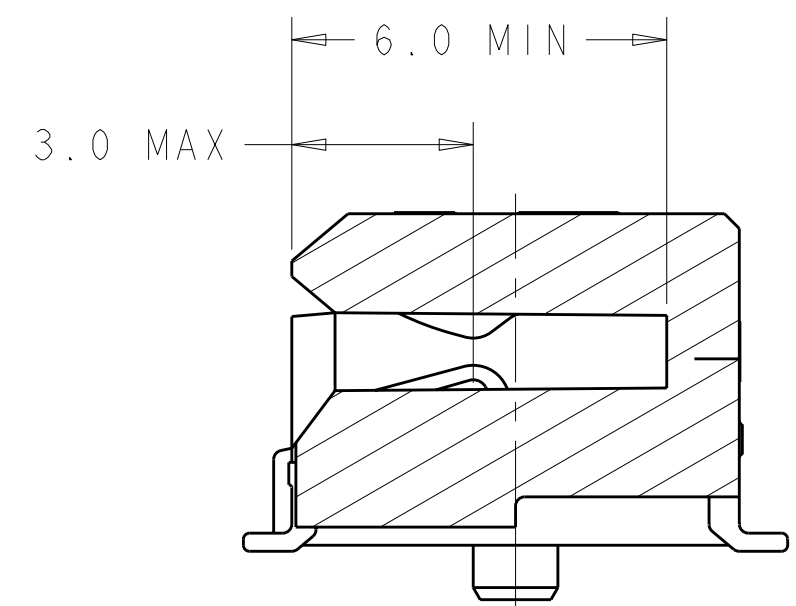
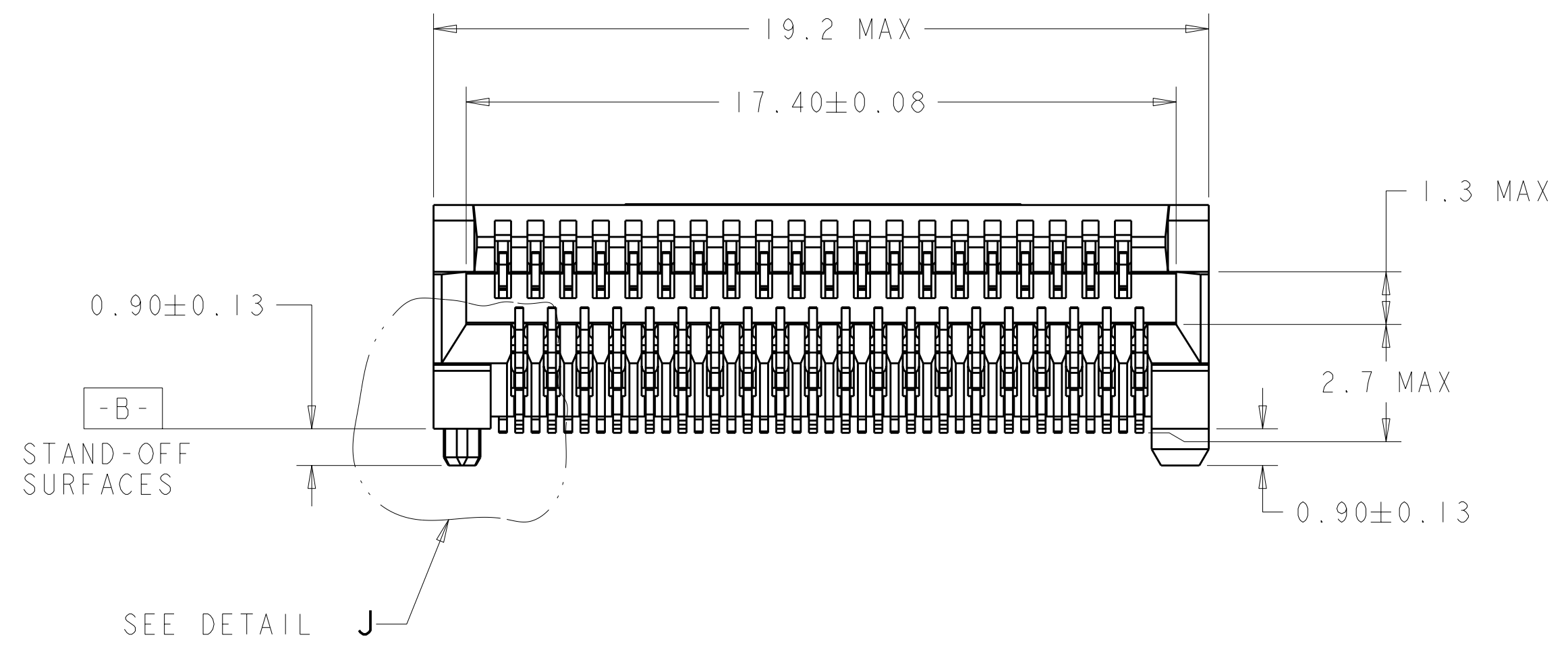
LOC	DIST	REV	DATE	BY	APPD
ES	00				
REVISIONS					
C		REVISED PER EC 0513-0307-05	22FEB06	BM	SS
D		REVISED PER EC 0513-0220-05	22FEB06	BM	SS
E		REVISED PER ECO-06-011603	15NOV06	BM	SS
F		REVISED PER ECR-07-025522	25OCT07	LL	SY



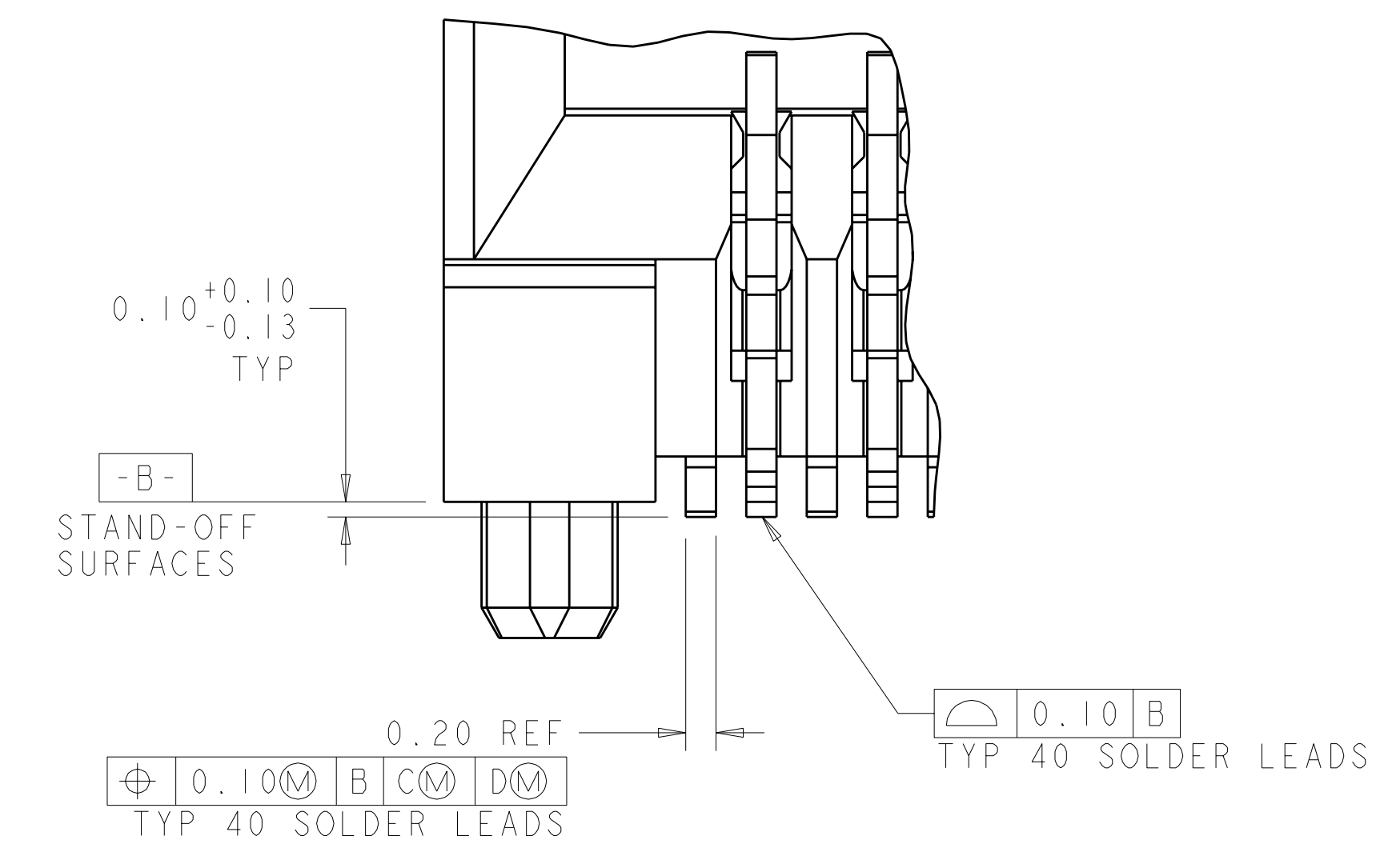
- △ HOUSING: HIGH TEMPERATURE LCP, UL 94V-0 RATED, BLACK.
CONTACT: PHOSPHOR BRONZE.
- △ CONTACTS: 0.00038 MIN GOLD IN CONTACT AREA, 0.00013 MIN GOLD ON SOLDER AREA, OVER 0.0038 MIN NICKEL UNDERPLATE ON ENTIRE CONTACT.
- 3. PACKAGED PIECES PER REEL.
- △4 GROUND, POWER AND SIGNAL PAD ARRANGEMENT TO BE DETERMINED BY CUSTOMER.
- △5 DATUMS AND BASIC DIMENSIONS ESTABLISHED BY CUSTOMER.
- △6 CONTACTS: 0.00076 MIN GOLD IN CONTACT AREA, 0.00013 MIN GOLD ON SOLDER AREA, OVER 0.0038 MIN NICKEL UNDERPLATE ON ENTIRE CONTACT.



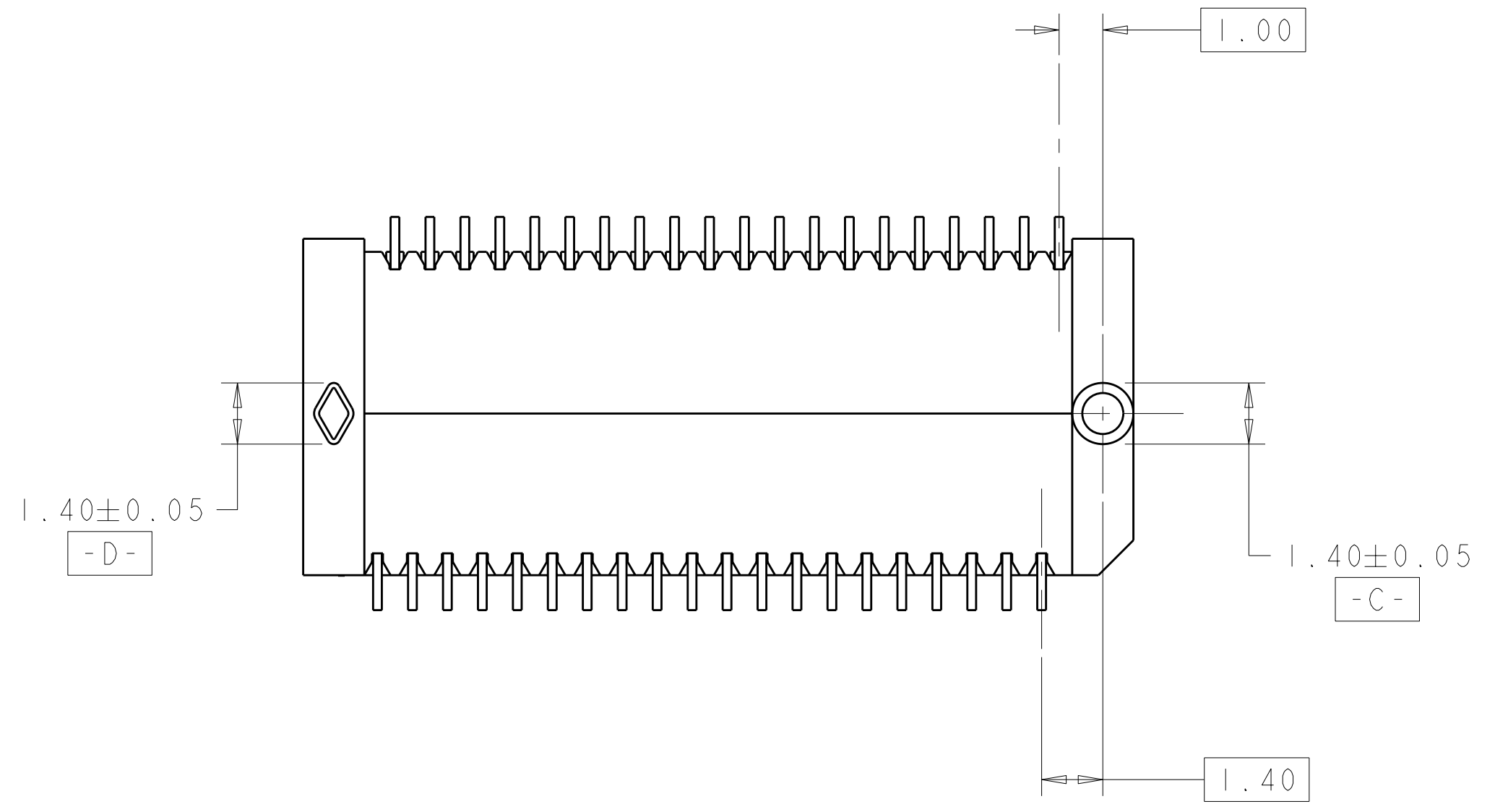
SCALE 5:1



SECTION Z-Z



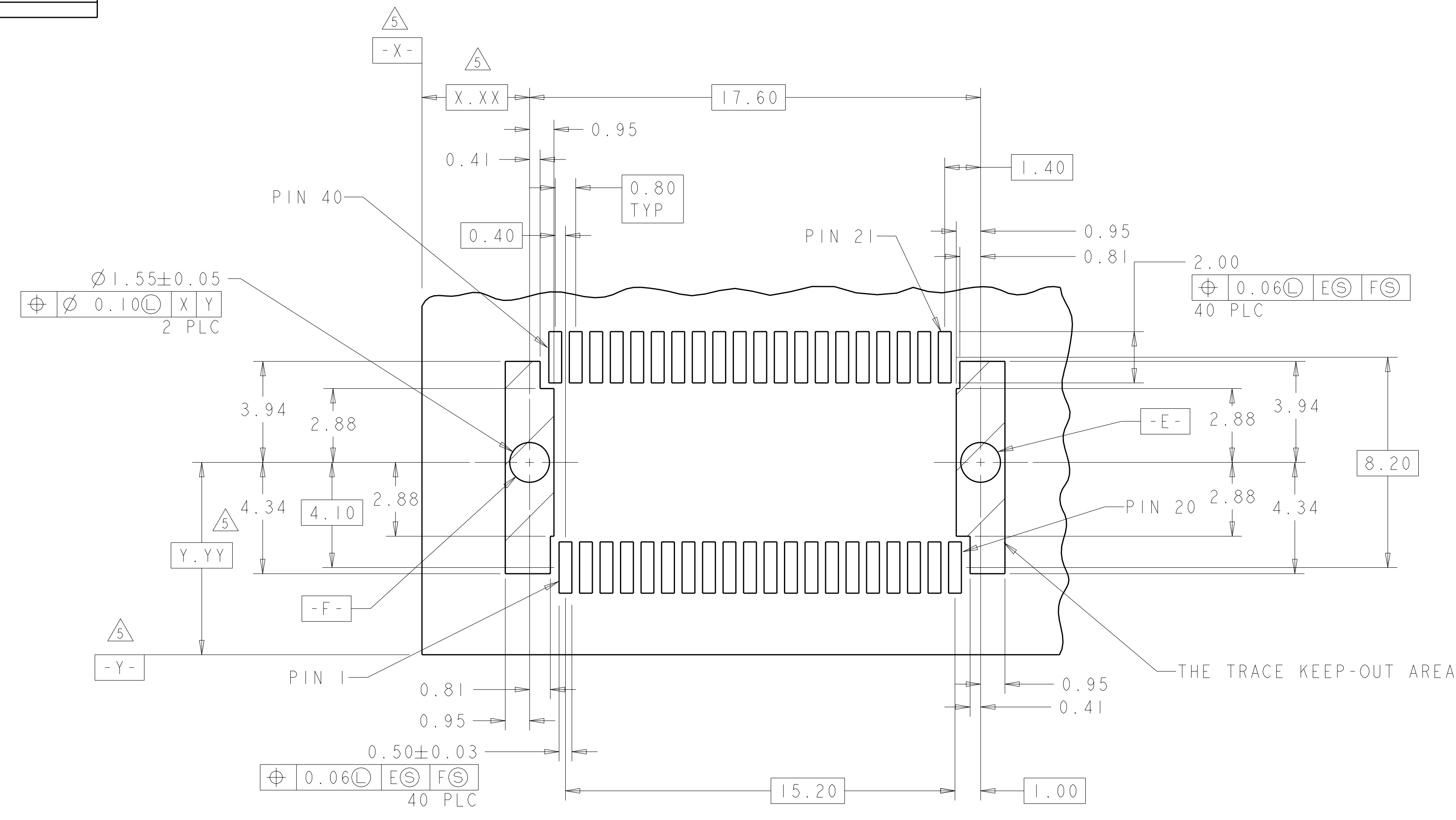
DETAIL J
SCALE 25:1



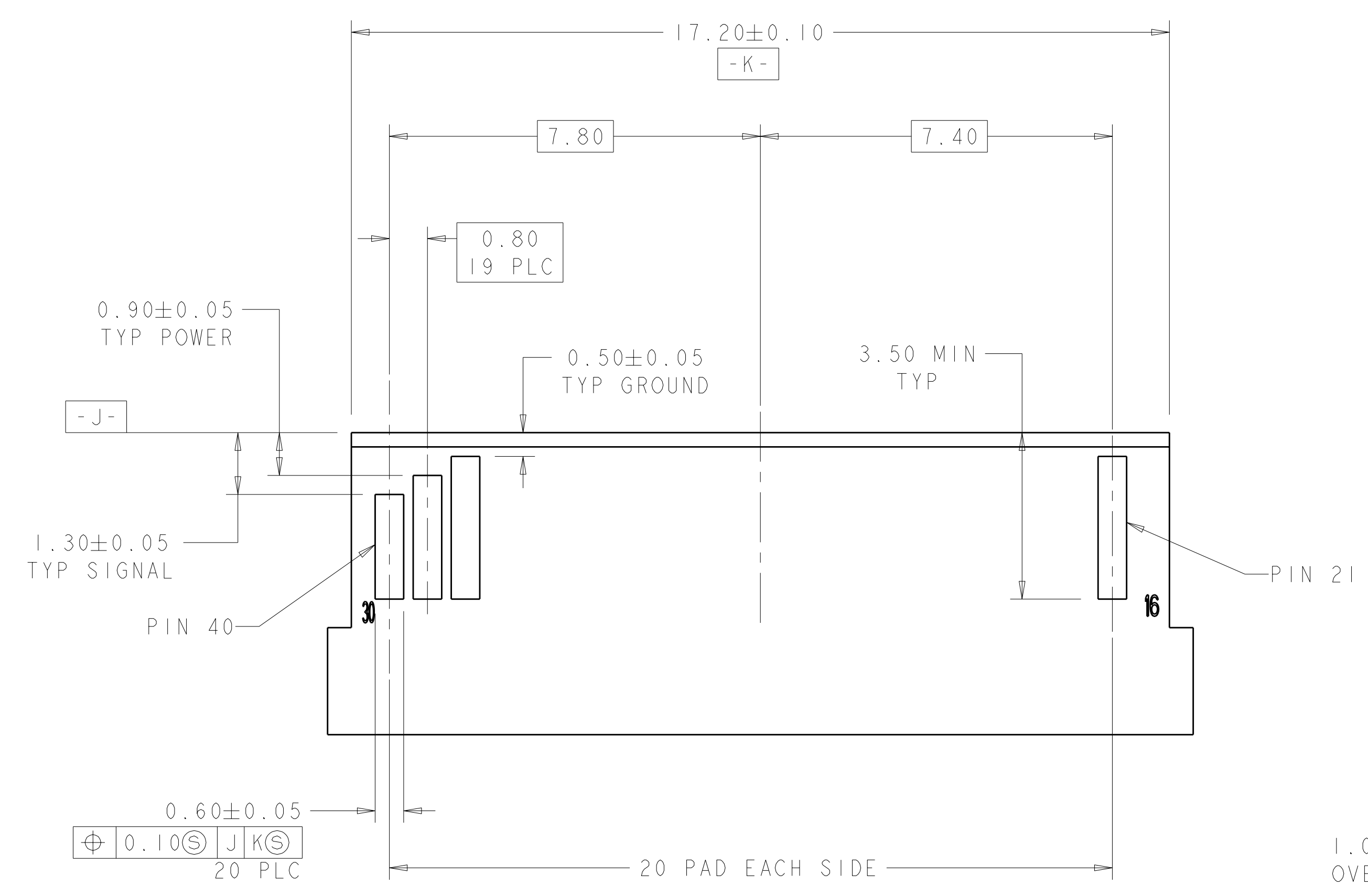
△6	1367384-2
△2	1367384-1
FINISH	PART NUMBER

DIMENSIONS: mm 9 PLC ± 1 PLC ± 2 PLC ±0.10 3 PLC ± 4 PLC ± ANGLES ±		TOLERANCES UNLESS OTHERWISE SPECIFIED: 9 PLC ± 1 PLC ± 2 PLC ±0.10 3 PLC ± 4 PLC ± ANGLES ±		DWN D. BROCKWAY I4MAR01 CHK J. KOPPENHEFFER I4MAR01 APVD J. KOPPENHEFFER I4MAR01 NAME PT CONNECTOR ASSEMBLY, 40 POSITION, RTANG, 0.8MM PRODUCT SPEC 108-1949 APPLICATION SPEC 114-13017 WEIGHT FINISH CUSTOMER DRAWING		Tyco Electronics Corporation Shanghai, P.R.China, 200233 SIZE CAGE CODE DRAWING NO RESTRICTED TO A100779C=1367384 SCALE 8:1 SHEET 1 OF 2 REV F	
--	--	---	--	--	--	--	--

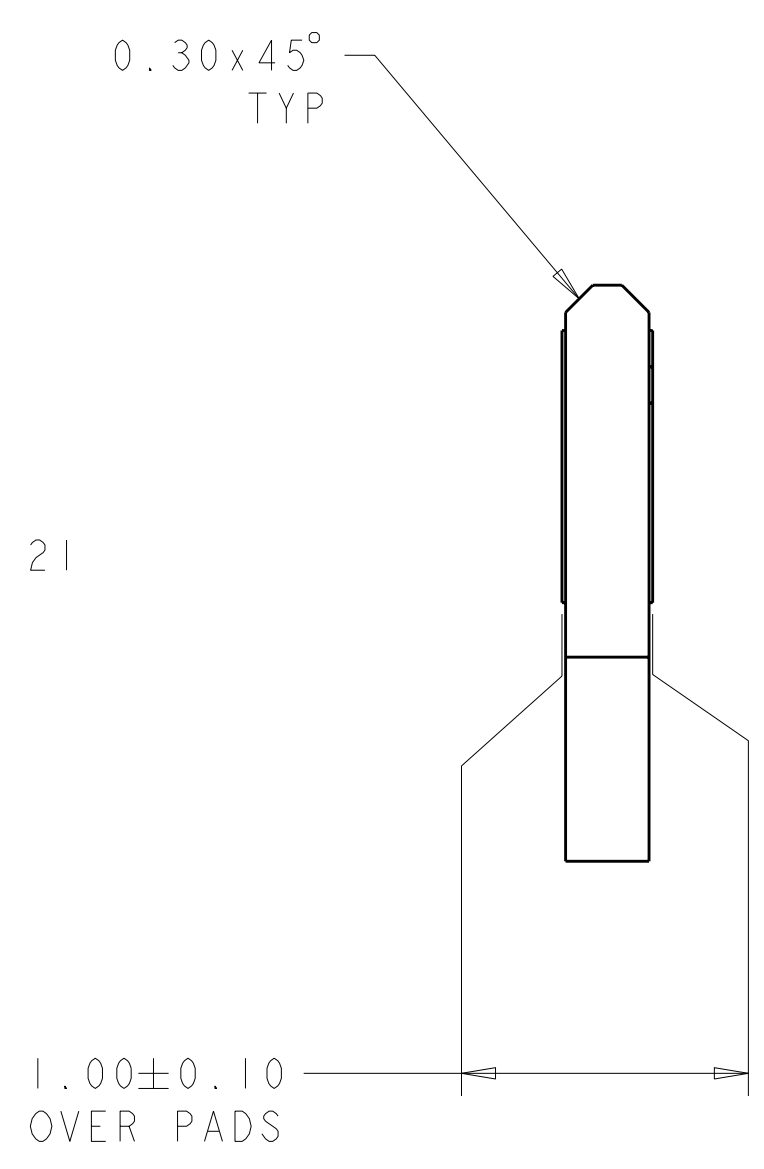
LOC	DIST	REV	DATE	BY	APPD
ES	00				
REVISIONS			DESCRIPTION	DATE	BY
			SEE SHEET 1		



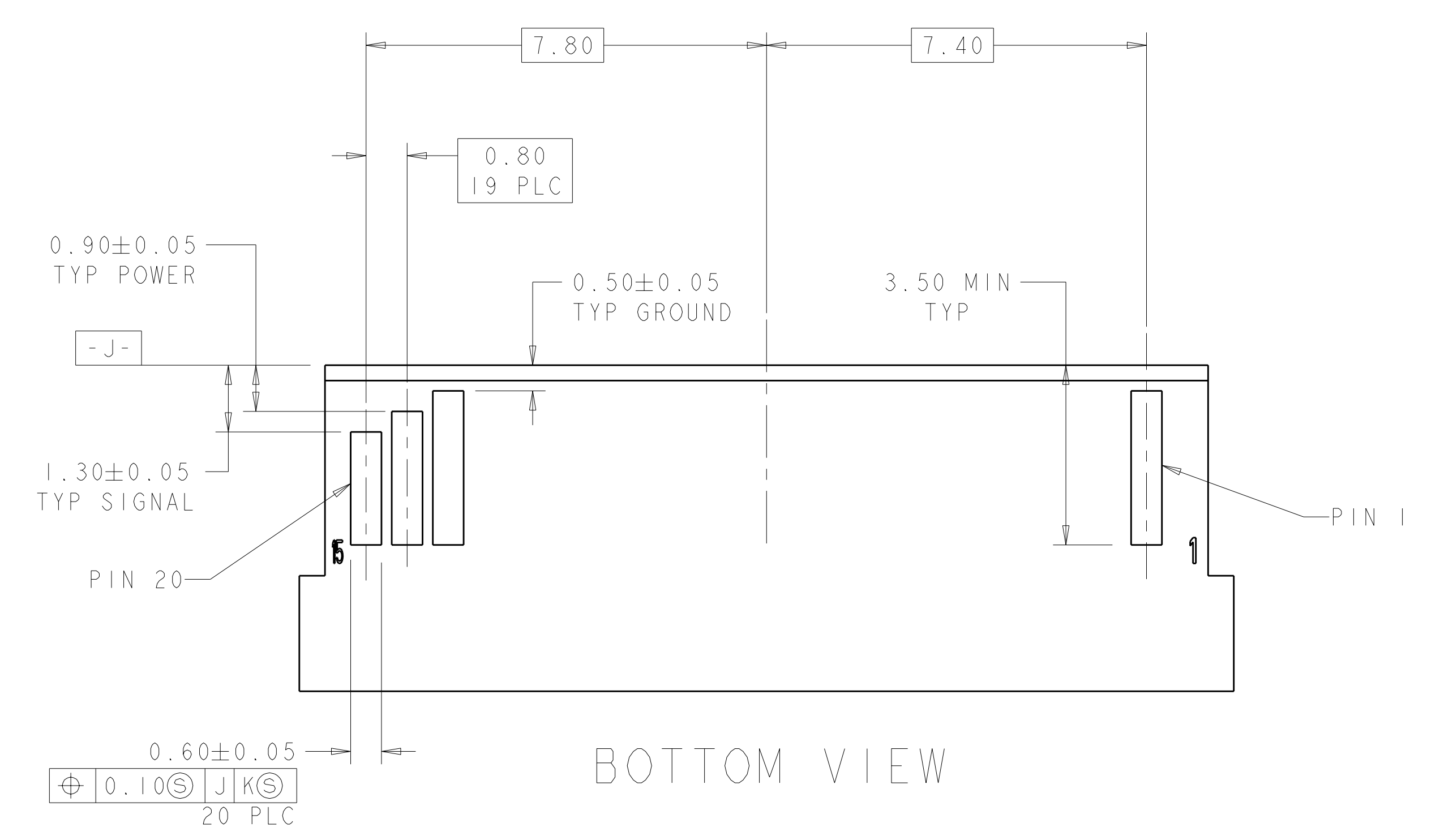
RECOMMENDED PCB LAYOUT DETAIL
 CONNECTOR MOUNTING SIDE
 SCALE 8:1



TOP VIEW



RECOMMENDED LAYOUT DETAIL
 MATING PCB
 SCALE 12:1



BOTTOM VIEW

DIMENSIONS: mm 		TOLERANCES UNLESS OTHERWISE SPECIFIED: 0 PLC ± 1 PLC ±0.10 2 PLC ± 3 PLC ± 4 PLC ± ANGLES ±		DWN D. BROCKWAY I4MAR01 CHK J. KOPPENHEFFER I4MAR01 APVD J. KOPPENHEFFER I4MAR01 NAME PT CONNECTOR ASSEMBLY, 40 POS, RIGHT ANGLE, 0.8mm PITCH PRODUCT SPEC 108-1949 APPLICATION SPEC 114-13017 WEIGHT CUSTOMER DRAWING		Tyco Electronics Corporation Shanghai, P.R. China, 200233 SIZE CAGE CODE DRAWING NO. RESTRICTED TO A1100779C=1367384 SCALE 8:1 SHEET 2 OF 2 REV F	
-----------------------	--	---	--	--	--	---	--