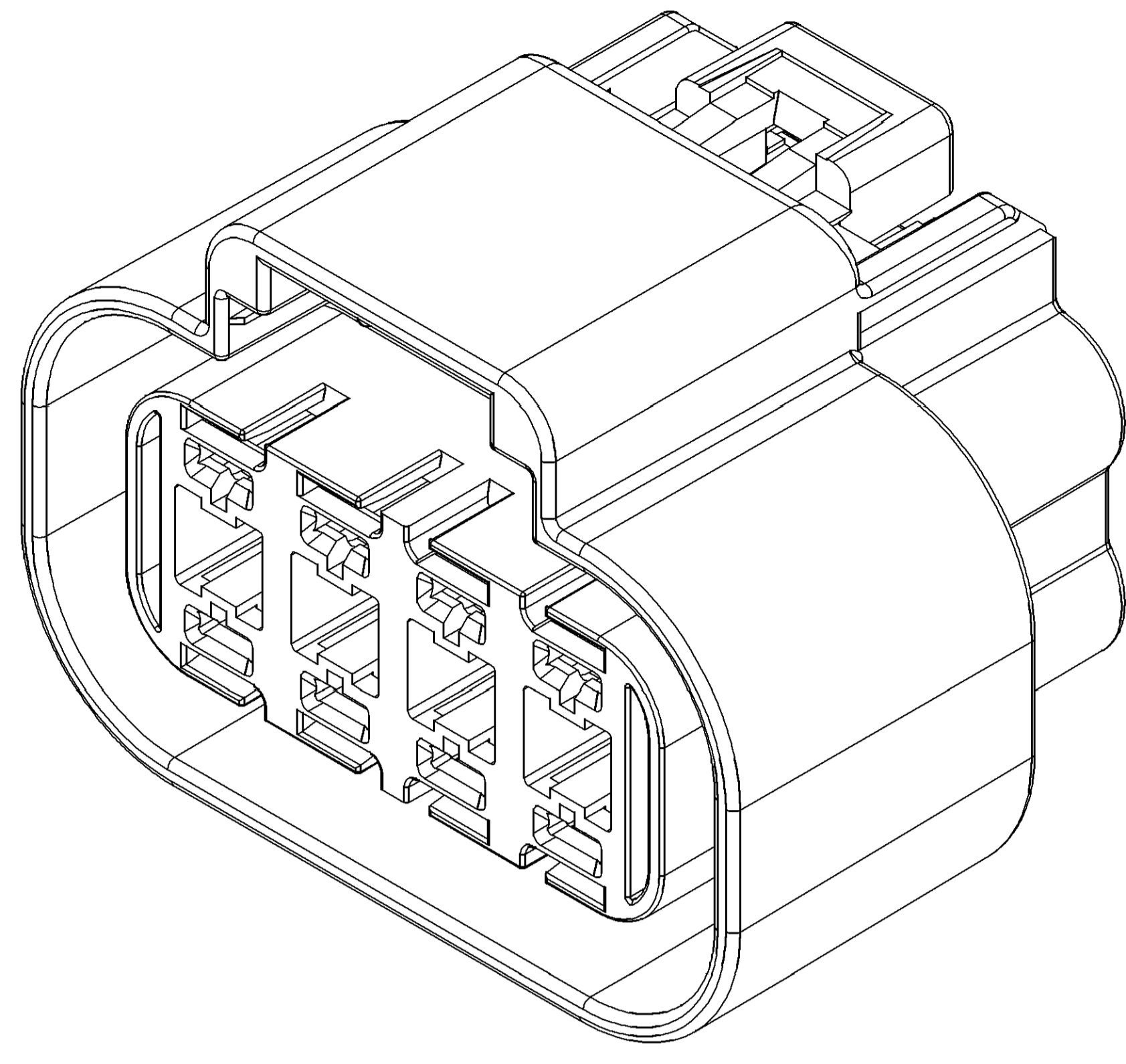
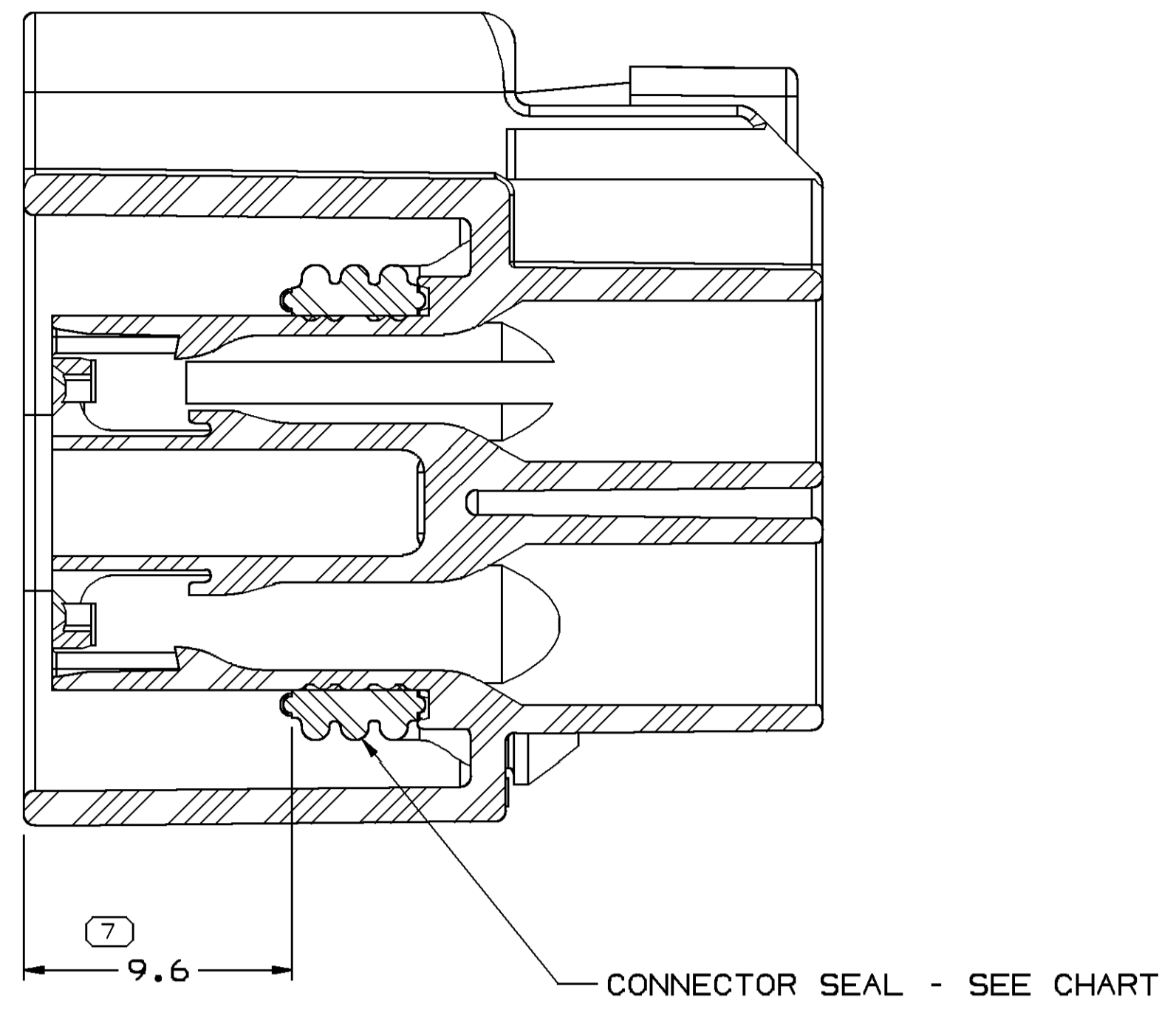
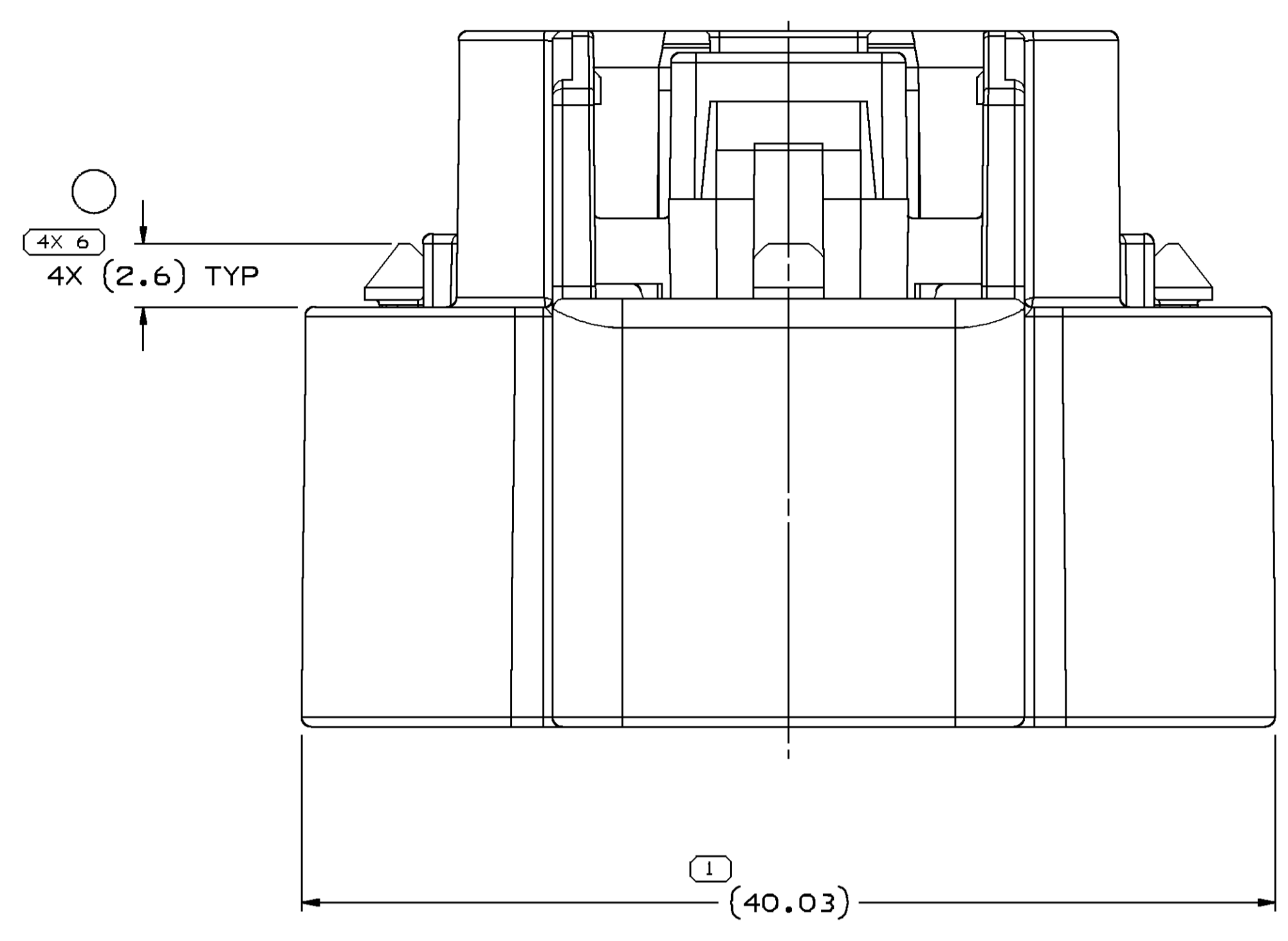
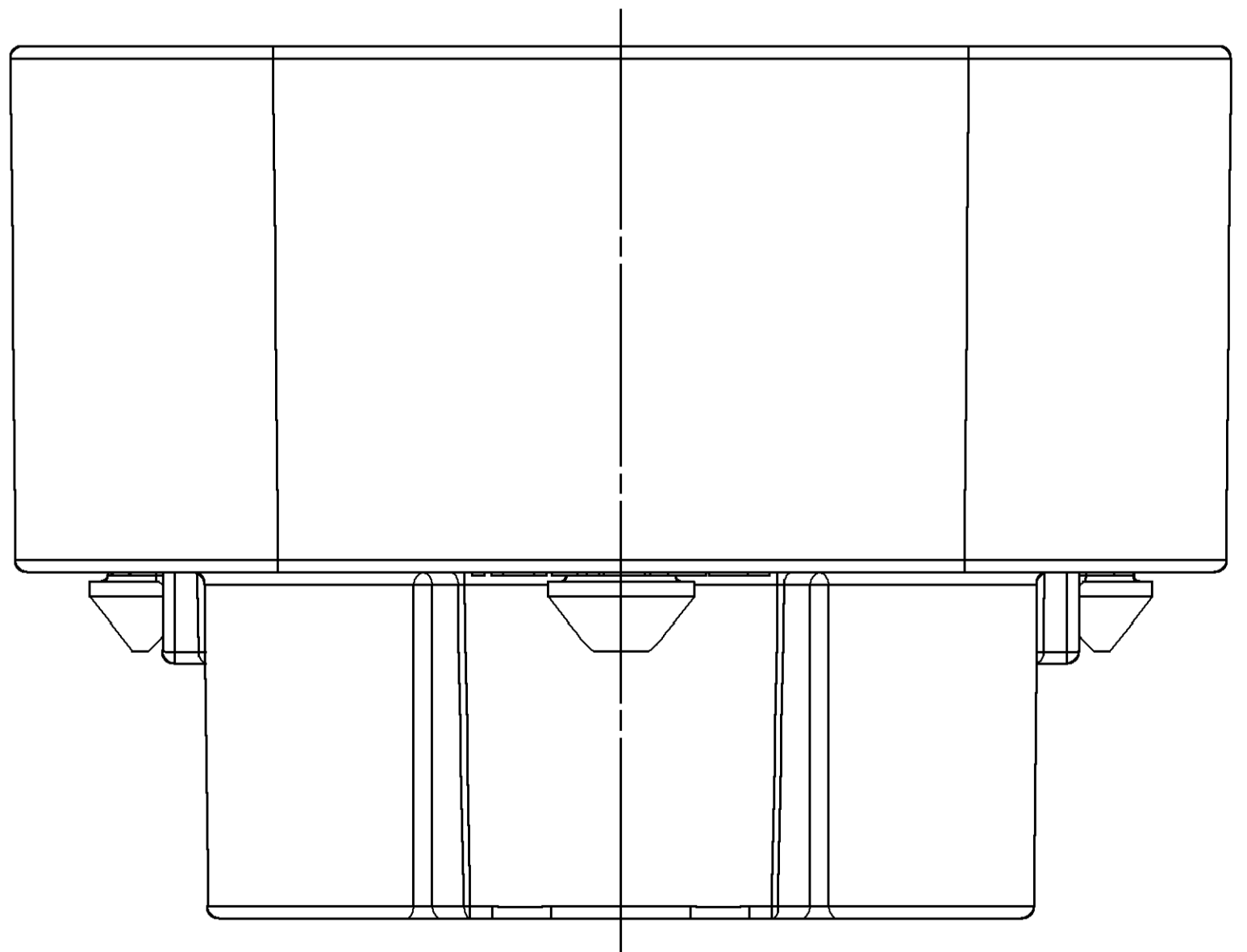
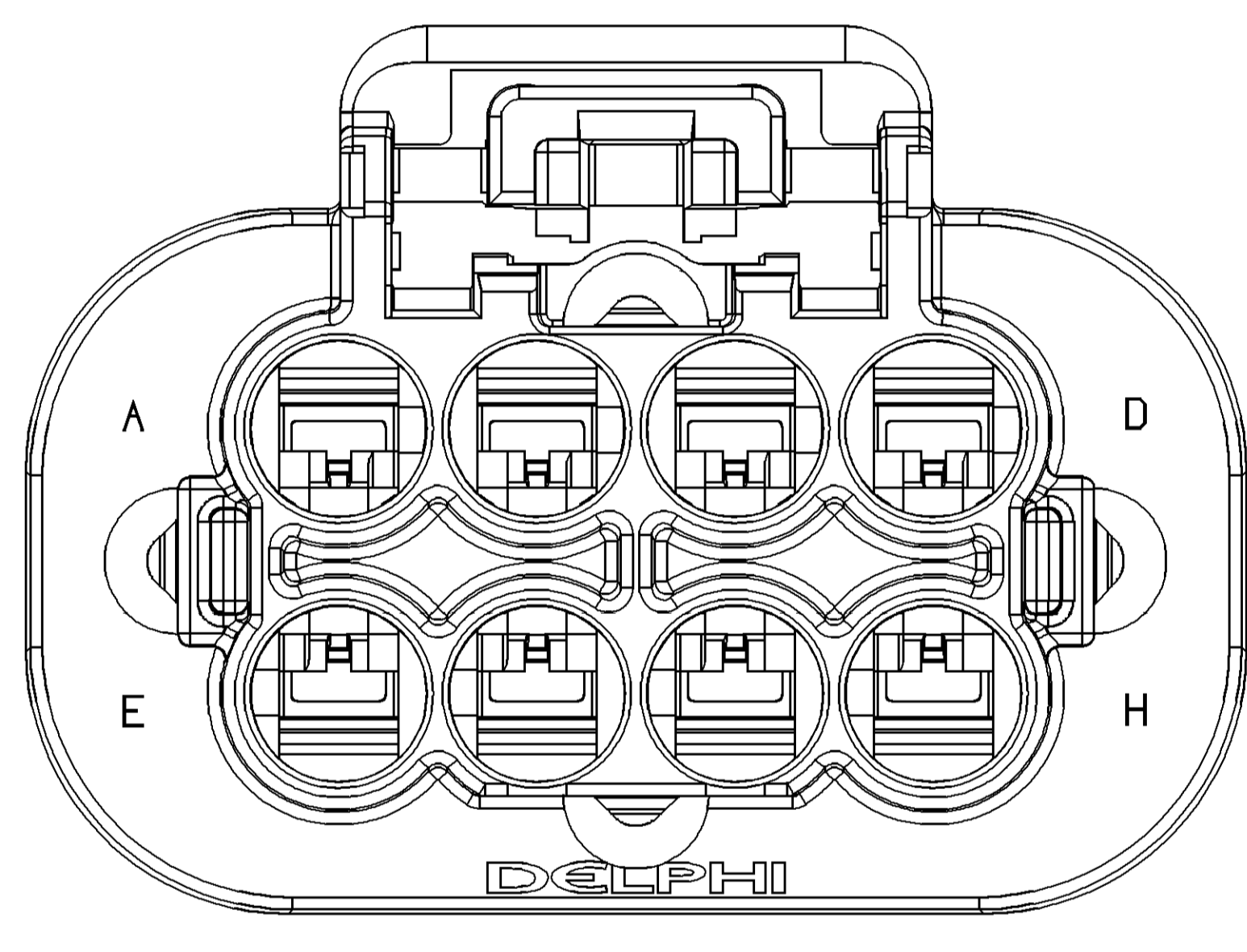
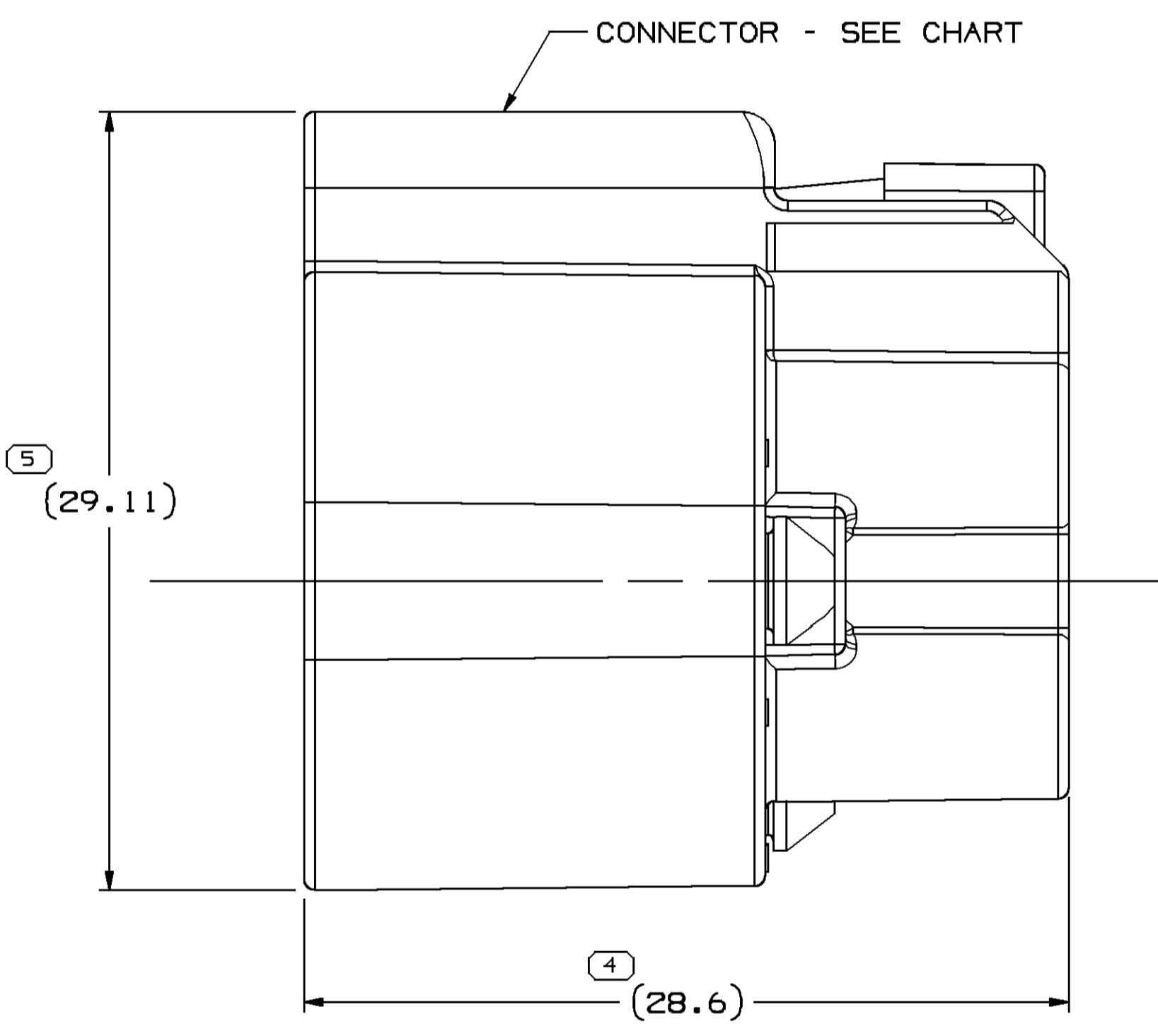
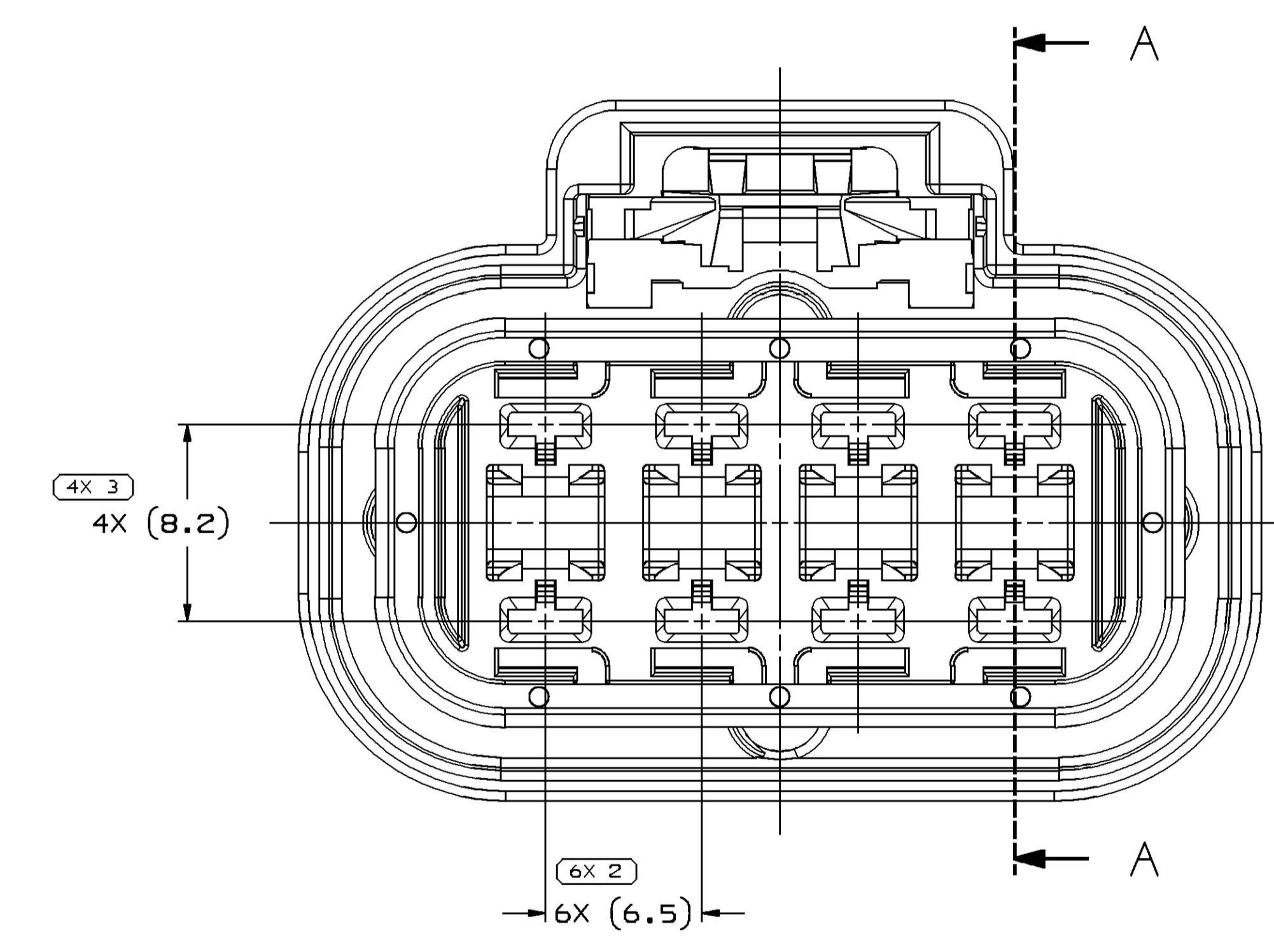


SYMBOL DEFINITION		TOTAL NO OF INSPECTIONS REQUIRED	MISSING SYMBOLS
A DIMENSION WITHOUT AN INSPECTION REPORT SYMBOL DOES NOT REQUIRE INSPECTION. IT MAY BE CONTROLLED ON THE INDIVIDUAL COMPONENT DRAWING.		18	NO MISSING SYMBOL NUMBER
		LAST NO. USED	7

DWG STATUS				REVISION HISTORY		AUTH	DR	APVD	APVD
DATE	STG	REV	W/P	CHG	ZONE				
31MR08	R	01	-	-		WAS PE177429; REVISED AND RELEASED	404204	ES	ES BNC
27AU09	R	02	-	-		ADDED NOTES (2 PLCS) & REVISED GRAPHICS	408772	JBD	AUG MAL
14DE09	R	03	-	-		ADDED DIM'S 6 & 7, REVISED CONN SEAL	409589	JOA	FKV MAL
19MY10	R	04	-	-		UPDATED CONNECTOR & CONN SEAL AND DISTR CODE WAS LIMITED	410864	ESC	ESC MAL
22NO10	R	05	-	-		DIM 2X (2.8) WAS 2X (6.9)	412657	MAL	MAL MLP
15DE10	R	06	-	-		DIM 2X (2.6) WAS 2X (2.8)	412881	LMC	LMC MLP
26AP11	R	06	AA	-		DIM 4X (2.6) TYP WAS 2X (2.6)	414001	ARC	ARC MLP



SECTION A - A



NOTES

- UNLESS OTHERWISE SPECIFIED AND/OR INDICATED:
DIMENSIONS ARE TO FACE OF VIEW SHOWN AND AUTOMATICALLY ROUNDED BY COMPUTER FOR INSPECTION (SEE MATH MODEL FOR PRECISE DIMENSIONS). FOR ALL OTHER DIMENSIONS NOT SHOWN BUT REQUIRED FOR TOOL BUILD, SEE MATH MODEL FOR PRECISE TOOL PATH DATA.
- THIS PRODUCT IS NOT CATEGORIZED AS AN APPEARANCE ITEM, MINOR IMPERFECTIONS INCLUDING, BUT NOT LIMITED TO, FLOW MARKS, COLOR BLEMISHES, GATE VESTIGE, AND SOFT FLASH THAT DO NOT AFFECT THE FIT, FORM, OR FUNCTION OF THE PART ARE PERMISSIBLE PER NAP 4.10-18.
- FOR APPLICATION DATA SEE THE APPLICATION DRAWING.
- TO ASSURE CORRECT TERMINAL POSITION, AN ELECTRICAL TEST HOLDER APPROVED BY BOTH THE DELPHI PACKARD NORTH AMERICA PRODUCT LINE ENGINEER AND ASSEMBLY TOOLING BUSINESS UNIT MUST BE USED. FAILURE TO USE AN APPROVED TEST HOLDER MAY RESULT IN UNSEATED TERMINALS.
- PART IS DESIGNED FOR INLINE USE ONLY.

1367B365	1367B366
CONNECTOR	CONNECTOR SEAL

DIMENSIONAL RANGE (MM)		CHART	EST
FROM	> 0	> 20	> 70
TO	20	70	100
TOLERANCE UNLESS OTHERWISE SPECIFIED		±0.1	±0.2
ANGULAR TOLERANCE		±2°	±1.2°

DELPHI
DELPHI PACKARD ELECTRICAL/ELECTRONIC ARCHITECTURE
WARREN, OH

DR	DATE
APV01 E. SHASTEEN	31MR08
APV02 E. SHASTEEN	31MR08
APV03 BART CALDWELL	31MR08
APV04	

UNLESS OTHERWISE SPECIFIED
THIS DOCUMENT IS IN ACCORDANCE WITH ASME Y14.5M-1994 AS MODIFIED BY THE 2003 SUPPLEMENT AND TELEPHANING ADDENDUM-2001. SEPARATE PATTERNS OF FEATURES MAY BE SHOWN SEPARATELY, REGARDLESS OF DATUM REFERENCES.

ALL DIMENSIONS ARE IN MILLIMETERS

REFERENCE

THIRD ANGLE PROJECTION

DO NOT SCALE USE MATH DATA

DRAWING NUMBER
13678364

SIZE A0 SCALE 5:1 FRAM NO 1 OF 1 SHEET NO 1 OF 1 REV W/P 06 AA