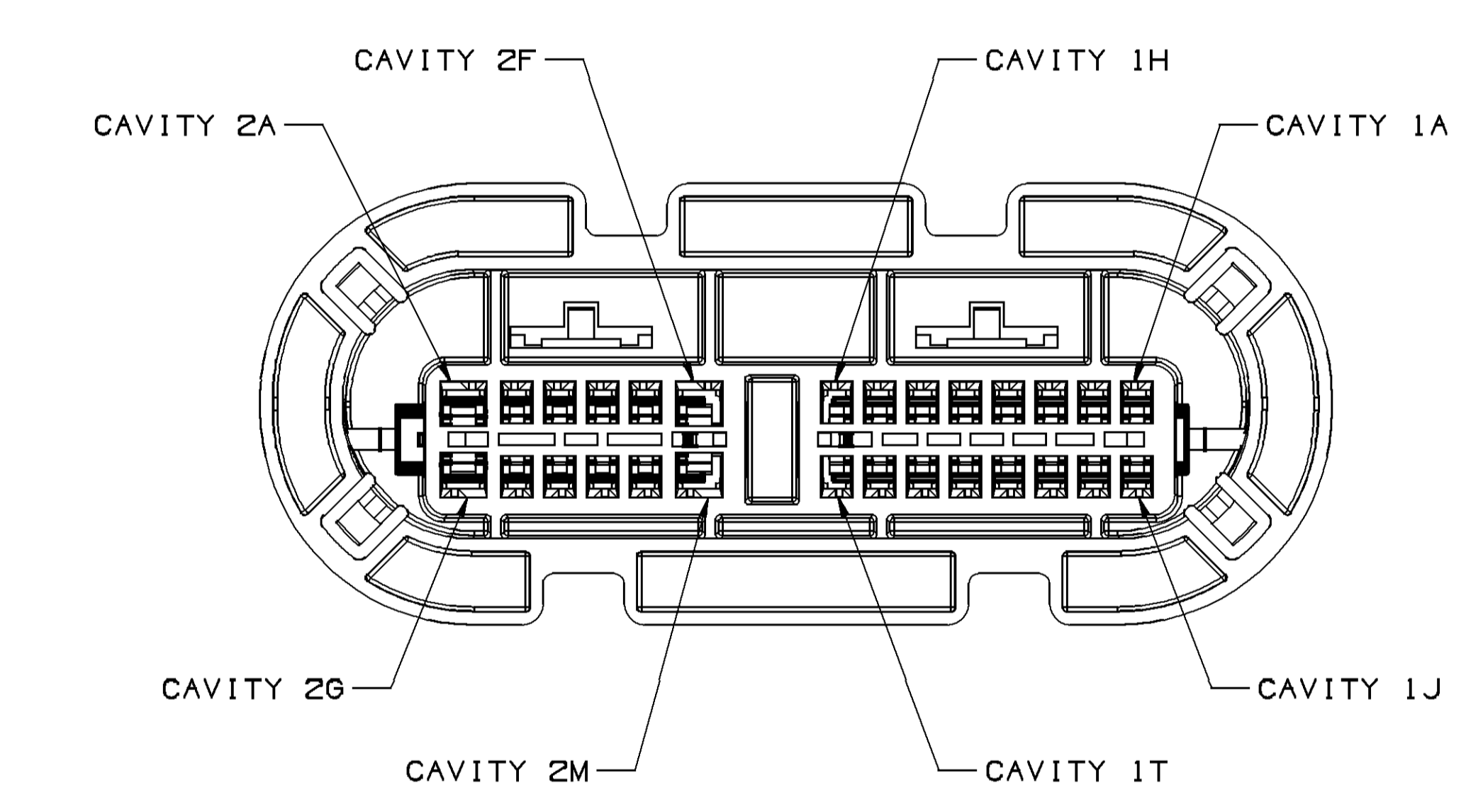
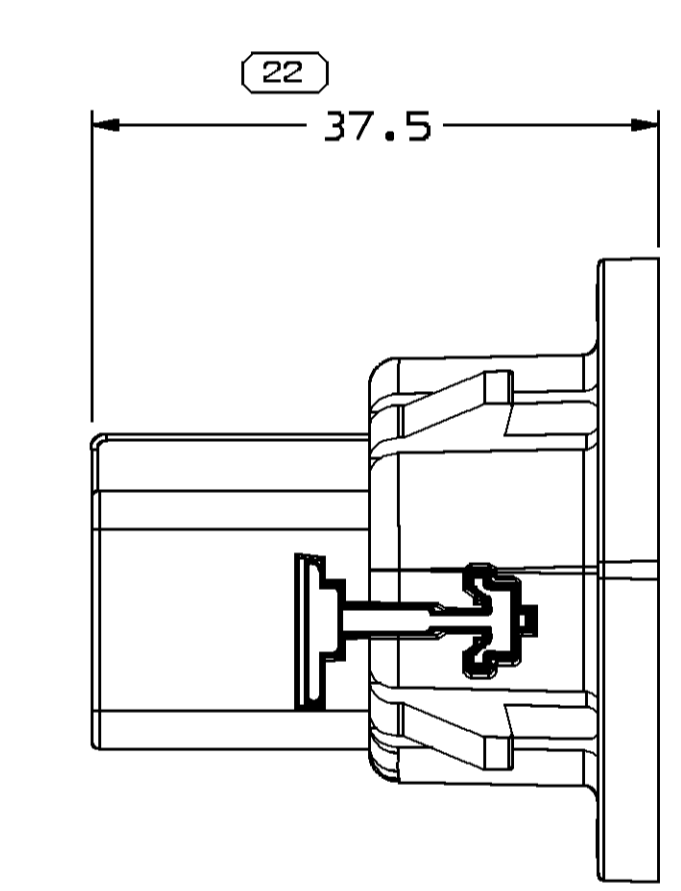
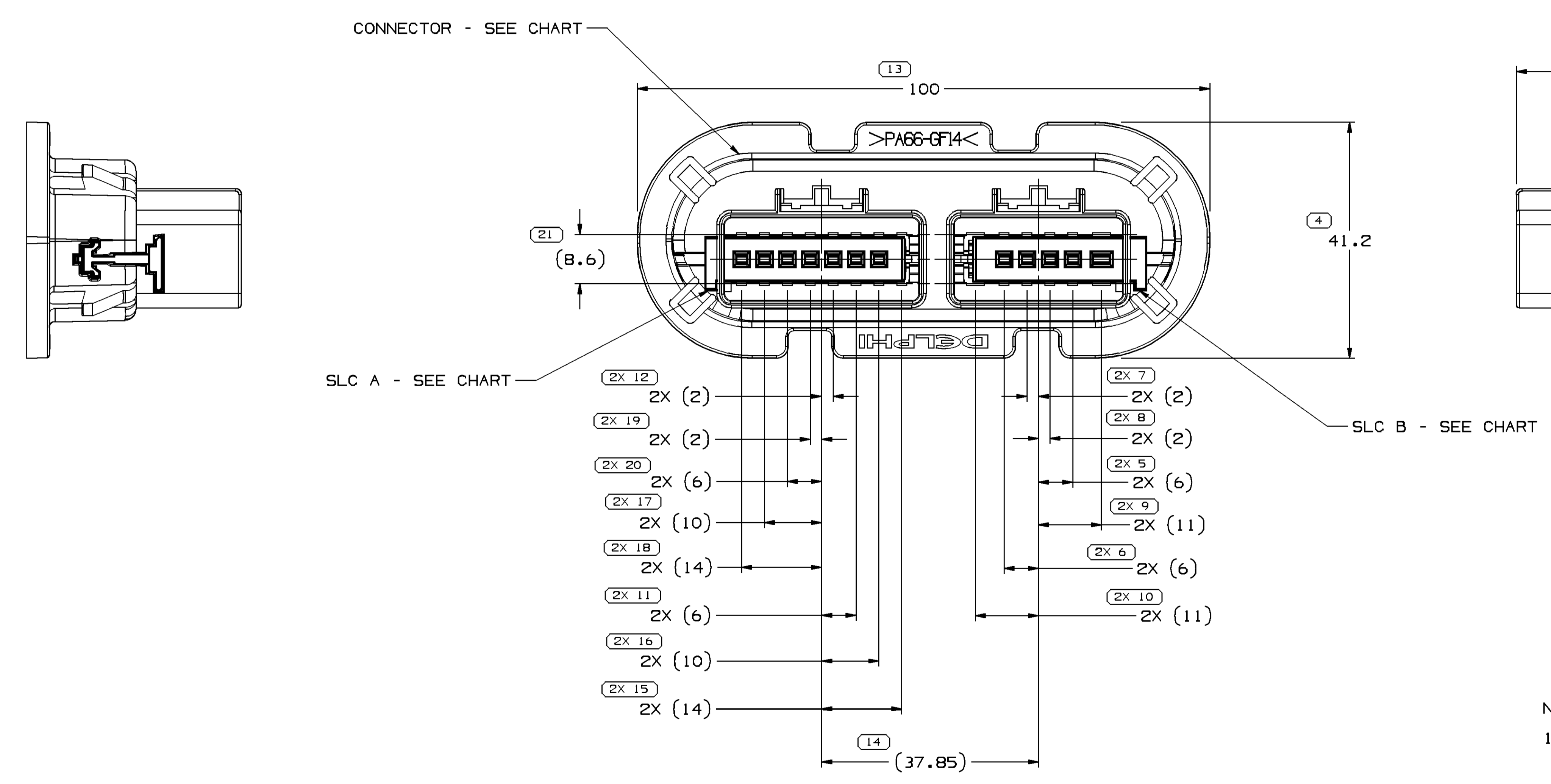
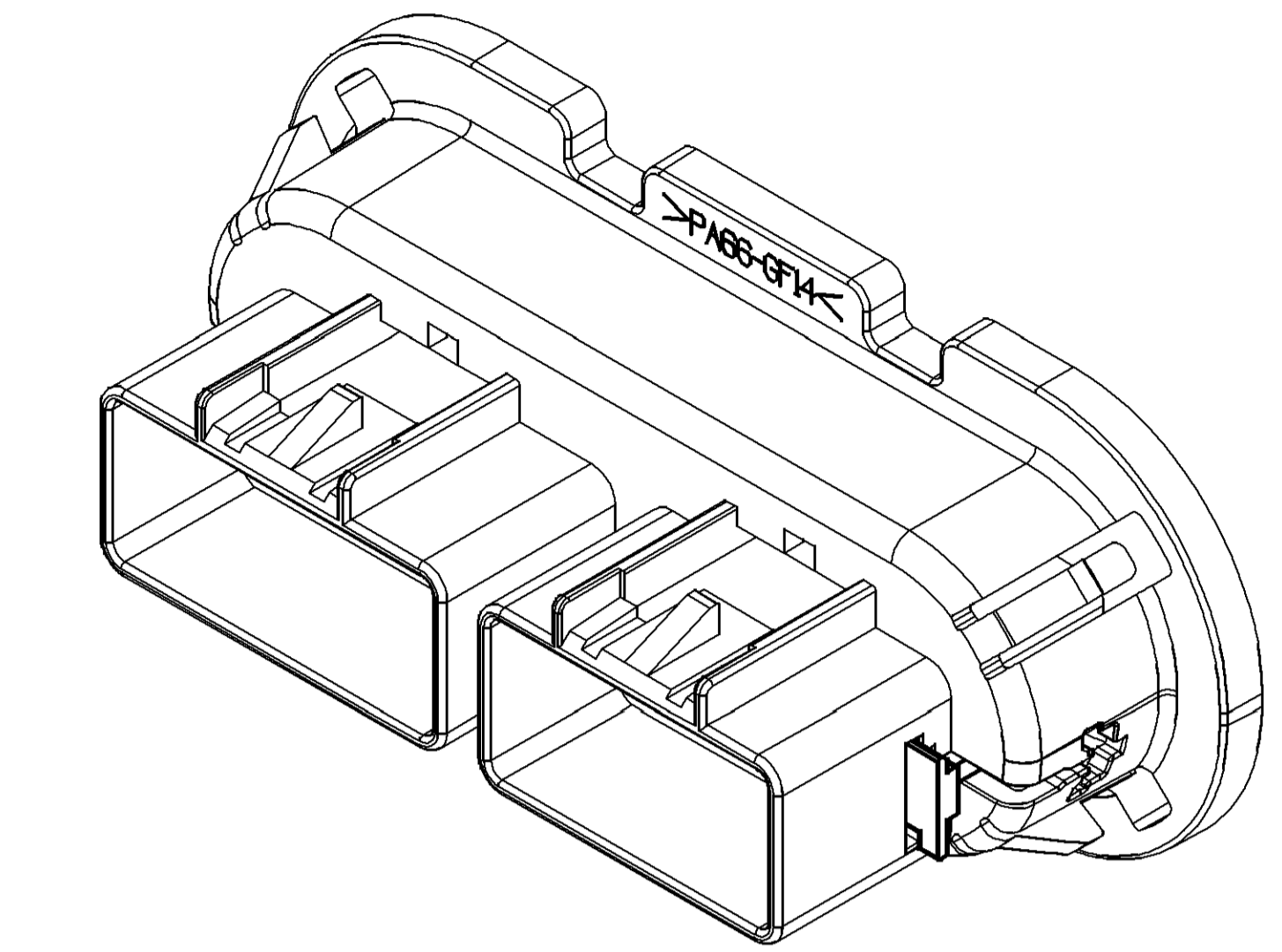
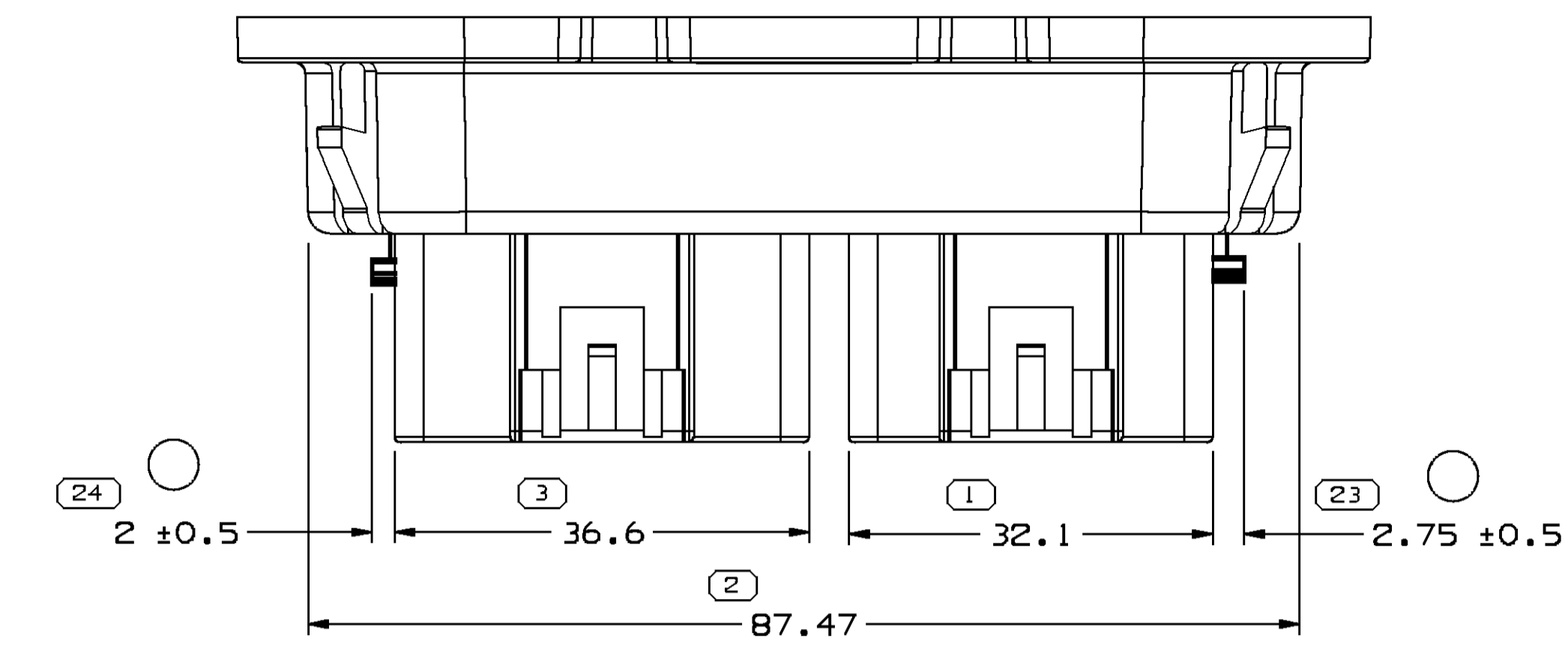


SYMBOL DEFINITION		MISSING SYMBOLS	
A DIMENSION WITHOUT AN INSPECTION REPORT SYMBOL DOES NOT REQUIRE INSPECTION. IT MAY BE CONTROLLED ON THE INDIVIDUAL COMPONENT DRAWING.	TOTAL NO OF INSPECTIONS REQUIRED	NO MISSING SYMBOL NUMBER	
	38		
	LAST NO. USED		
	24		

DWS STATUS				REVISION HISTORY				AUTH		DR		APVD	
DATE	STG	REV	IVR	CHG	ZONE								
23JUN08	R	01	-	-	-	RELEASED		405117	EFS	JAA	EJB		
12JAN10	R	01	AA	-	-	REMOVED DIM 4.63 & 5.38 AND ADDED DIM 2 +/- 0.5 & 2.75 +/- 0.5		409738	JAR	DGL	MAL		



- NOTES**
- UNLESS OTHERWISE SPECIFIED AND/OR INDICATED:  
DIMENSIONS ARE TO FACE OF VIEW SHOWN AND AUTOMATICALLY ROUNDED BY COMPUTER FOR INSPECTION (SEE MATH MODEL FOR PRECISE DIMENSIONS). FOR ALL OTHER DIMENSIONS NOT SHOWN BUT REQUIRED FOR TOOL BUILD, SEE MATH MODEL FOR PRECISE TOOL PATH DATA.
  - THIS PRODUCT IS NOT CATEGORIZED AS AN APPEARANCE ITEM. MINOR IMPERFECTIONS INCLUDING, BUT NOT LIMITED TO, FLOW MARKS, COLOR BLEMISHES, GATE VESTIGE, AND SOFT FLASH THAT DO NOT AFFECT THE FIT, FORM, OR FUNCTION OF THE PART ARE PERMISSIBLE PER DPNP-4.7-CS-01.
  - FOR APPLICATION DATA SEE THE APPLICATION DRAWING.

PART NO	CONN	SLC A	SLC B
13718672	13718669	15332183	15336210

DIMENSIONAL RANGE (MM)	CHART SET
FROM > 0	> 20
> 20	> 30
> 30	> 40
> 40	> 50
> 50	> 60
> 60	> 70
> 70	> 80
> 80	> 90
> 90	> 100
> 100	> 150
> 150	> 200
> 200	> 250
> 250	> 300
> 300	> 400
> 400	> 500
> 500	> 600
> 600	> 700
> 700	> 800
> 800	> 900
> 900	> 1000

**DELPHI**  
DELPHI PACKARD ELECTRICAL/ELECTRONIC ARCHITECTURE  
WARREN, OH

DRG TYPE	PART DRAWING																		
STYLE																			
VOLUME (OMP)	DISTR CODE																		
UNLESS OTHERWISE SPECIFIED																			
THIS DOCUMENT IS IN ACCORDANCE WITH ASME Y14.5M-1994 AS MODIFIED BY THE 2003 SUPPLEMENT AND TELEPHONING ADDENDUM-2001. SEPARATE PATTERNS OF FEATURES MAY BE SHOWN SEPARATELY, REGARDLESS OF DATUM REFERENCES.																			
ALL DIMENSIONS ARE IN MILLIMETERS																			
REFERENCE																			
<table border="1"> <tr> <th>PROCESS SENSITIVE DIMENSION</th> <th>INDICATE REFERENCE DIMENSIONS AND NO TOLERANCE LIMITS ARE ESTABLISHED</th> </tr> <tr> <td>(22)</td> <td></td> </tr> </table>		PROCESS SENSITIVE DIMENSION	INDICATE REFERENCE DIMENSIONS AND NO TOLERANCE LIMITS ARE ESTABLISHED	(22)															
PROCESS SENSITIVE DIMENSION	INDICATE REFERENCE DIMENSIONS AND NO TOLERANCE LIMITS ARE ESTABLISHED																		
(22)																			
THIRD ANGLE PROJECTION	DO NOT SCALE USE MATH DATA																		
<table border="1"> <tr> <th>DRAWING NAME</th> <td>ASM CONN 28 M GT 150 280</td> </tr> <tr> <th>DRAWING NUMBER</th> <td>13718672</td> </tr> <tr> <th>SIZE</th> <td>A0</td> </tr> <tr> <th>SCALE</th> <td>2:1</td> </tr> <tr> <th>FRAME NO</th> <td>1 OF 1</td> </tr> <tr> <th>SHEET NO</th> <td>1 OF 1</td> </tr> <tr> <th>STG</th> <td>R</td> </tr> <tr> <th>REV</th> <td>01</td> </tr> <tr> <th>IVR</th> <td>AA</td> </tr> </table>		DRAWING NAME	ASM CONN 28 M GT 150 280	DRAWING NUMBER	13718672	SIZE	A0	SCALE	2:1	FRAME NO	1 OF 1	SHEET NO	1 OF 1	STG	R	REV	01	IVR	AA
DRAWING NAME	ASM CONN 28 M GT 150 280																		
DRAWING NUMBER	13718672																		
SIZE	A0																		
SCALE	2:1																		
FRAME NO	1 OF 1																		
SHEET NO	1 OF 1																		
STG	R																		
REV	01																		
IVR	AA																		