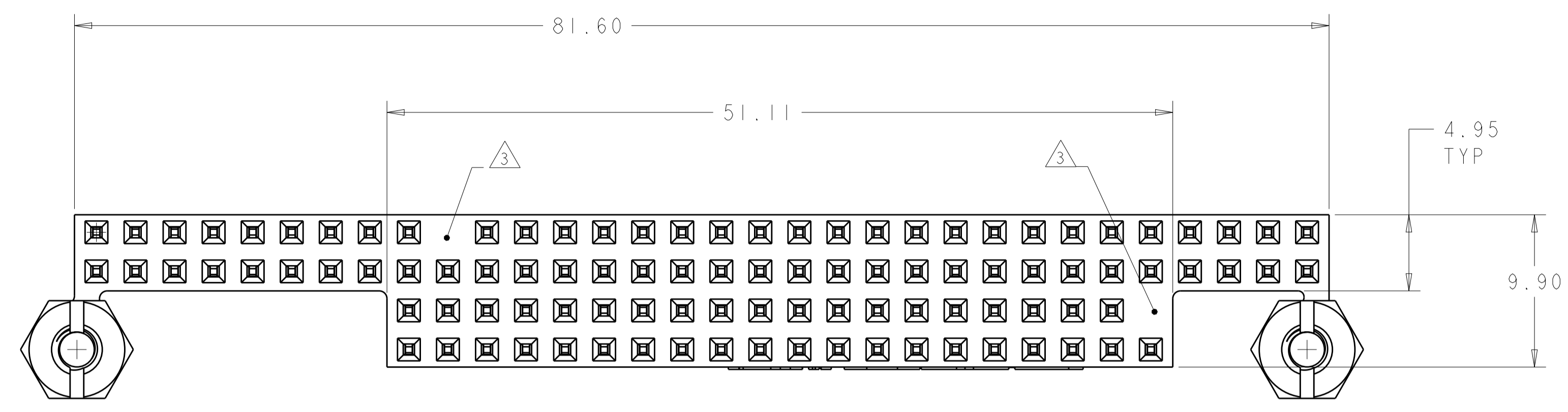
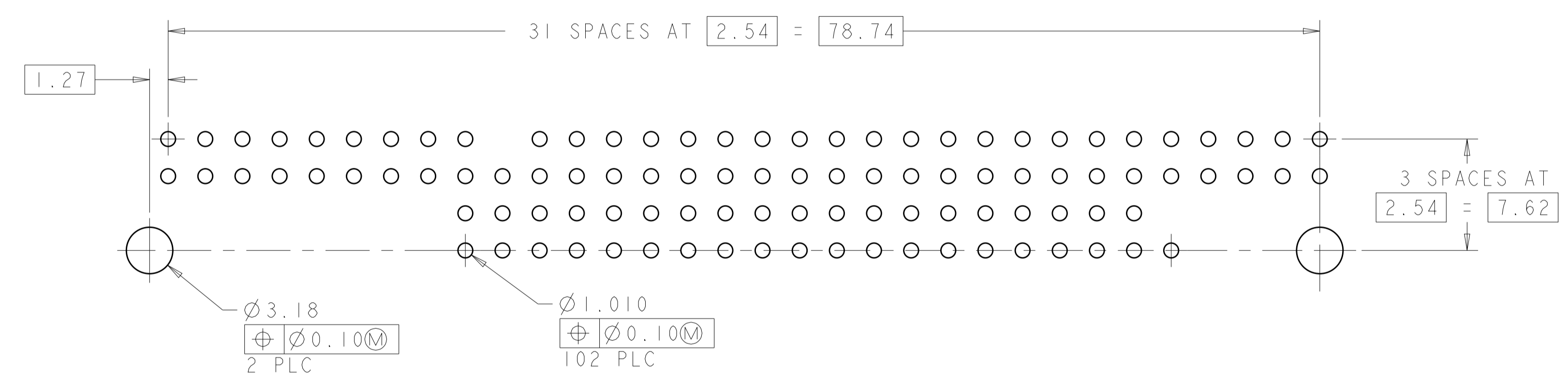
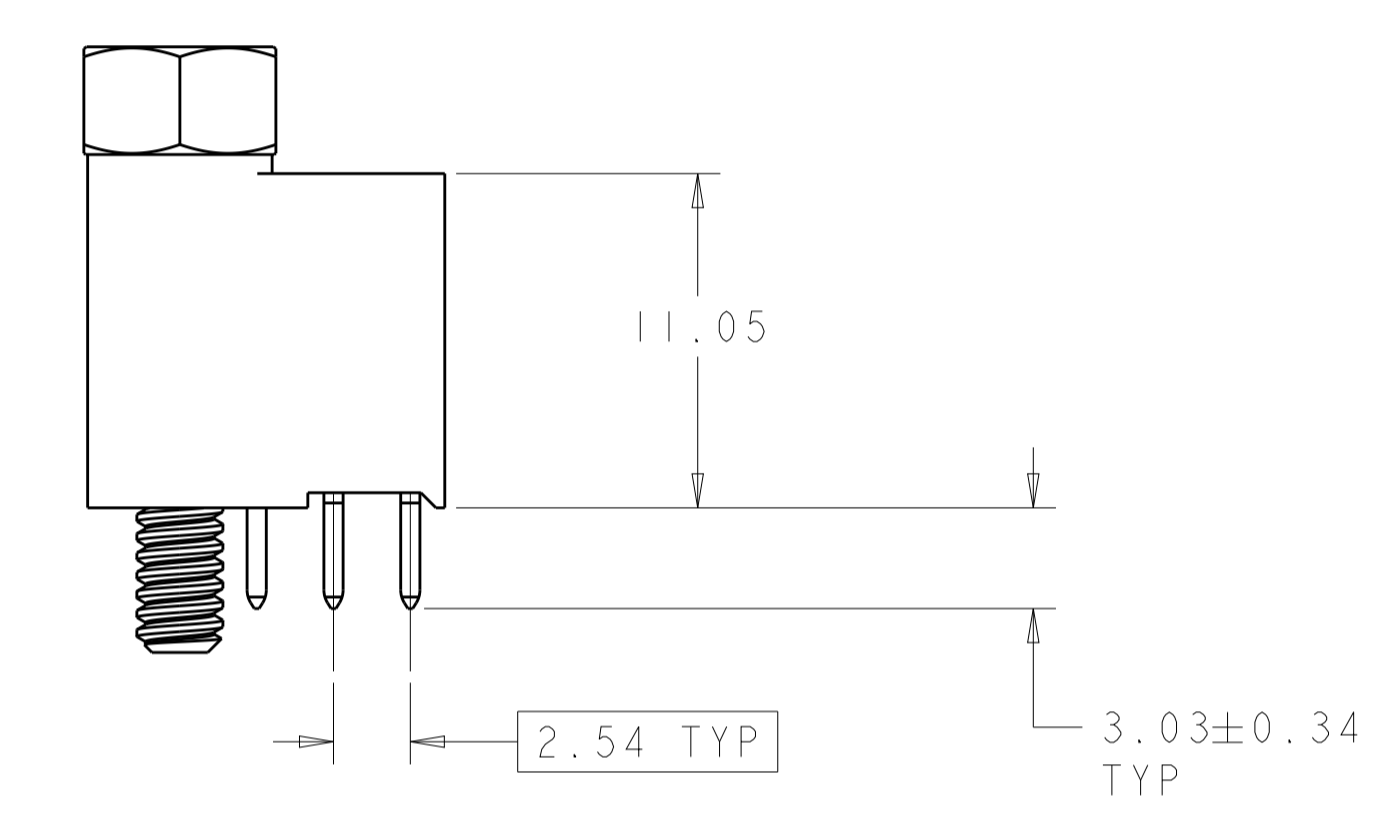
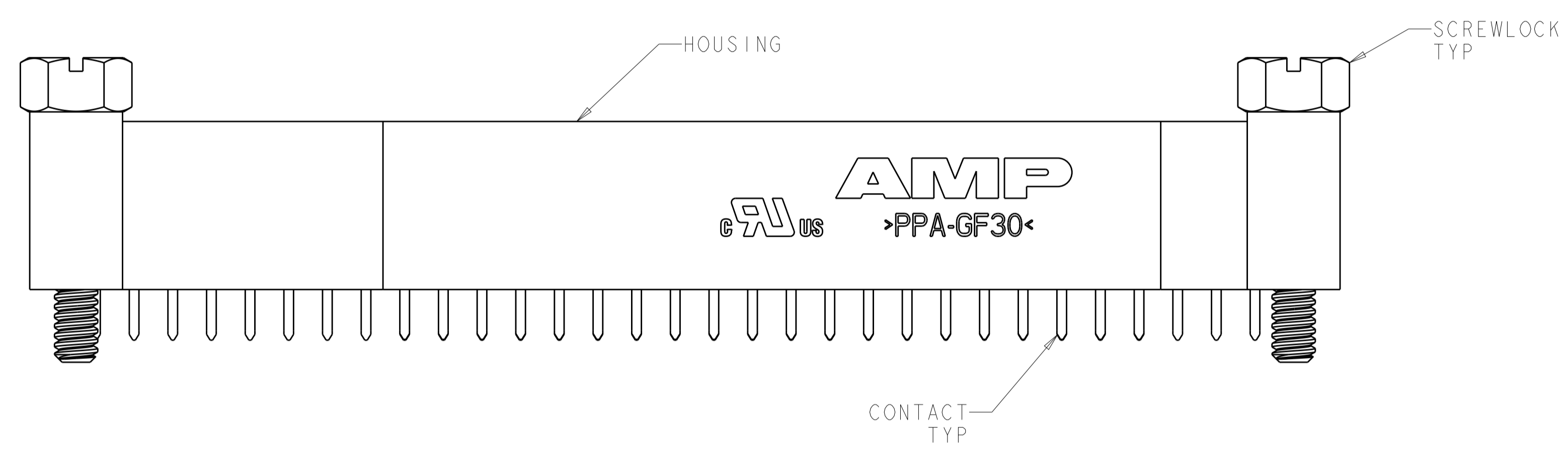


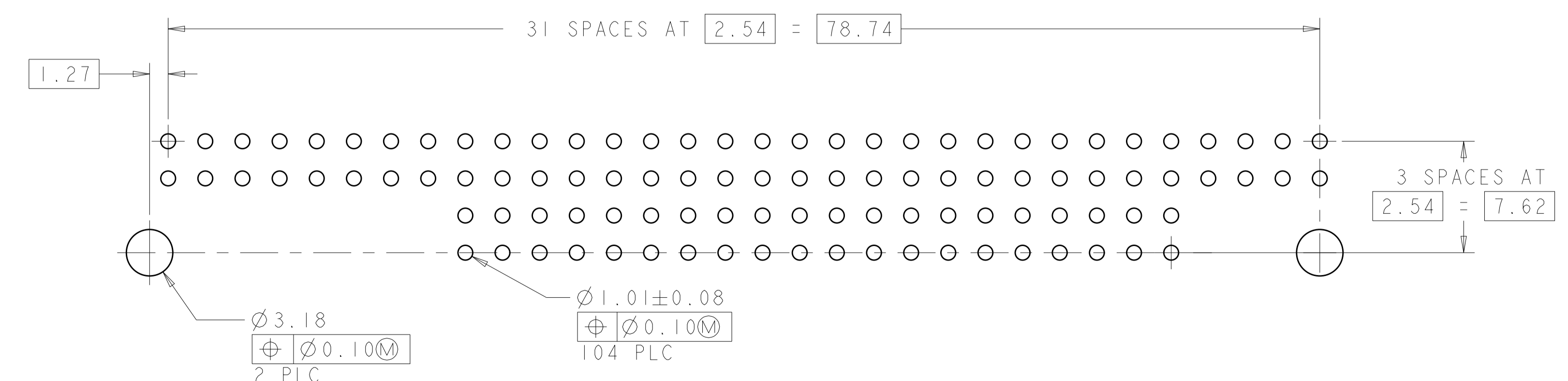
REVISIONS				
P.	LTN	DESCRIPTION	DATE	APVD
	D2	REVISED PER ECO-16-002589	25FEB2016	NK JO



- △ HOUSING: HIGH TEMPERATURE, GLASS FILLED NYLON, COLOR- BLACK.
 CONTACTS: PHOSPHOR BRONZE.
 SCREWLOCKS: STEEL.
- △ CONTACTS: 0.000381 MIN GOLD ON MATING RECEPTACLE END,
 0.00254 BRIGHT TIN-LEAD ON REMAINDER, ALL OVER
 0.001270 NICKEL.
 SCREWLOCKS: CLEAR CHROMATE OVER ZINC.
- △ NO CONTACT IN THIS POSITION, FOR PART NUMBER 1375961-1 & -3 ONLY.
- △ CONTACTS: 0.000381 MIN GOLD ON MATING RECEPTACLE END,
 0.00254-0.00508 MATTE TIN ON REMAINDER,
 ALL OVER 0.001270 NICKEL.
 SCREWLOCKS: CLEAR CHROMATE OVER ZINC.
- △ ROHS 2002/95/EC COMPLIANT PART TO BE USED WITH
 ROHS 2002/95/EC COMPLIANT PCB'S.



RECOMMENDED PCB LAYOUT
 FOR 1375961-1 & -3



RECOMMENDED PCB LAYOUT
 FOR 1375961-2 & -4

FINISH	KEYED CIRCUITS	PART NO	
△5	△4	NO	1375961-4
△5	△4	△3 YES	1375961-3
	△2	NO	1375961-2
	△2	△3 YES	1375961-1

THIS DRAWING IS A CONTROLLED DOCUMENT.		DWN: W.G. LENKER 02JUN2000	TE Connectivity
DIMENSIONS: mm		CHK: L. BREKOSKY 15JAN2001	
TOLERANCES UNLESS OTHERWISE SPECIFIED: 0 PLC ± 1 PLC ±0.13 2 PLC ± 3 PLC ± 4 PLC ± ANGLES ±		PRODUCT SPEC: 108-1956 APPLICATION SPEC: 114-13021 WEIGHT:	NAME: ASSEMBLY, PC/104, NON-STACKTHROUGH CONTACTS, 2 STANDOFFS, SOLDER SIZE: A1 CAGE CODE: 100779 DRAWING NO: 1375961
MATERIAL: △		FINISH: △4 △2	CUSTOMER DRAWING SCALE: 4:1 SHEET 1 OF 1 REV: D2