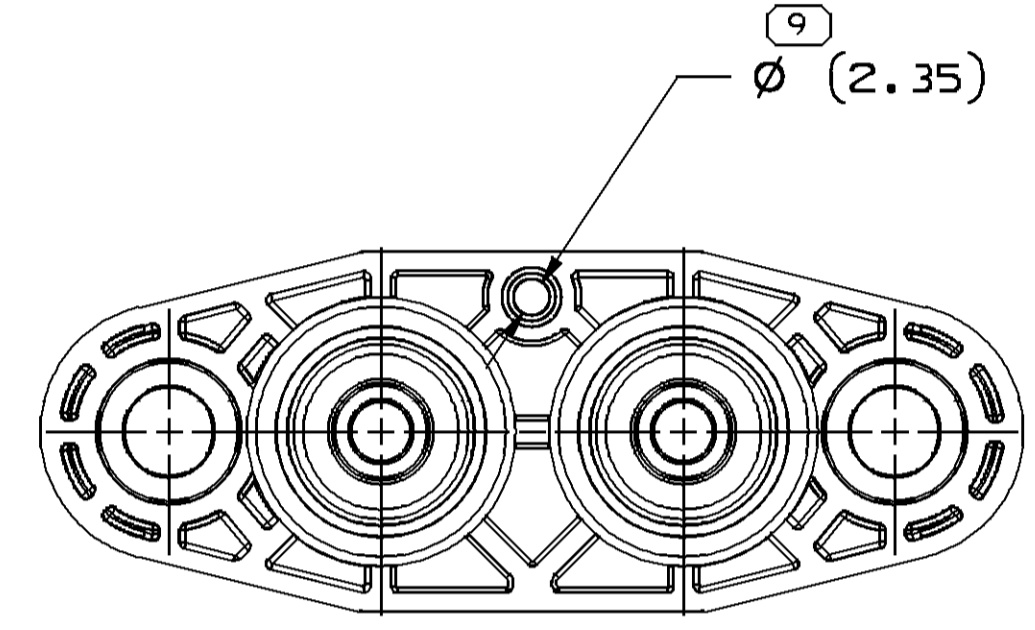
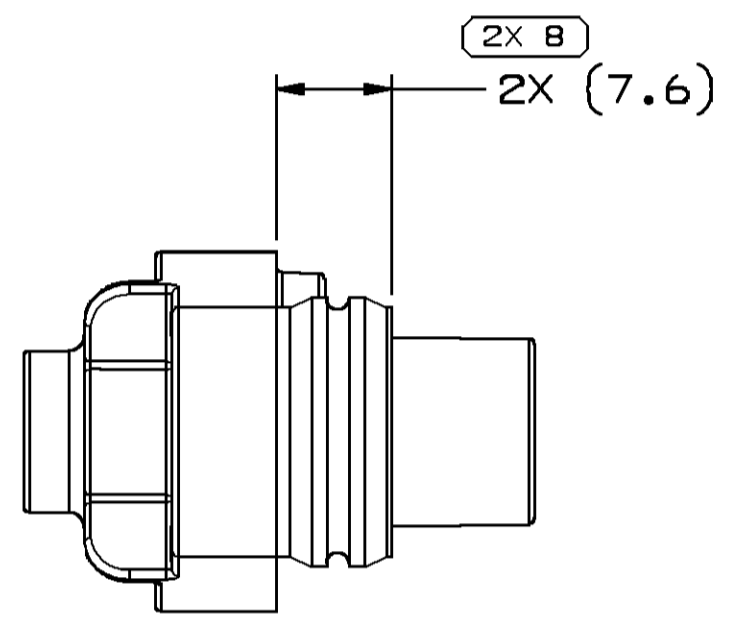
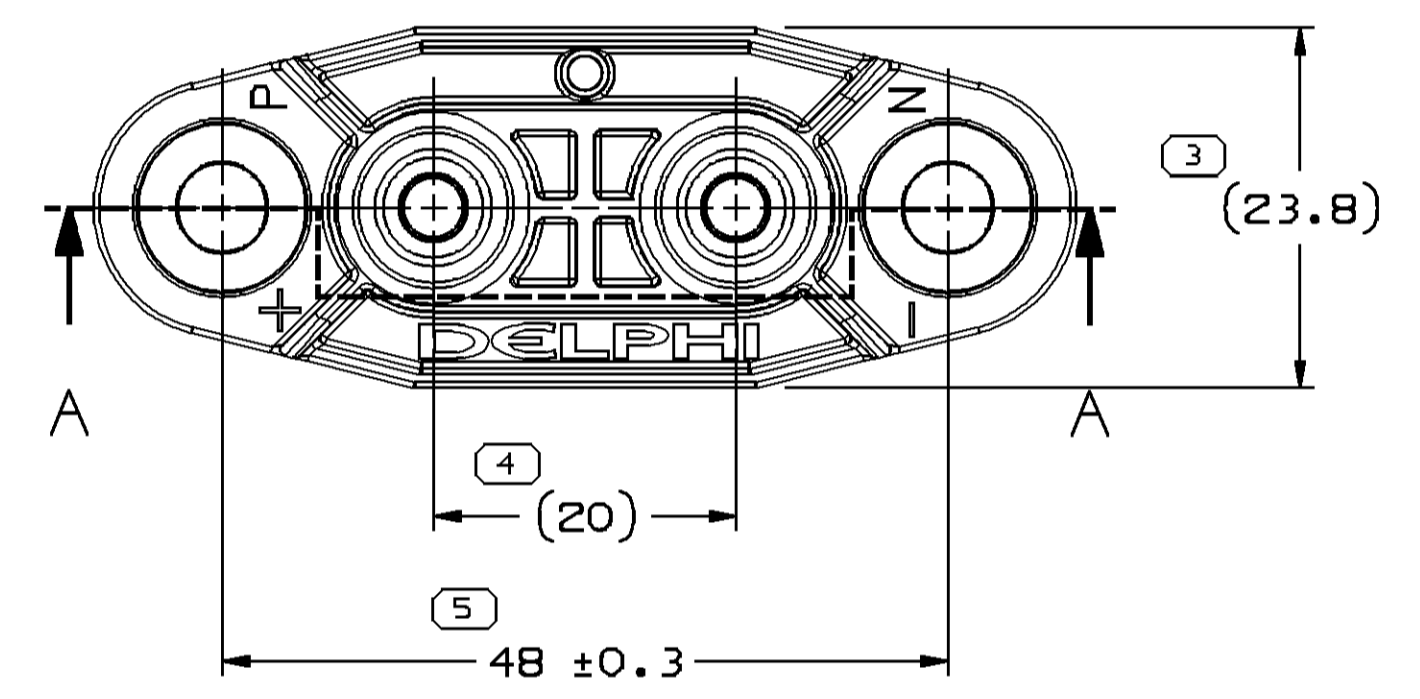
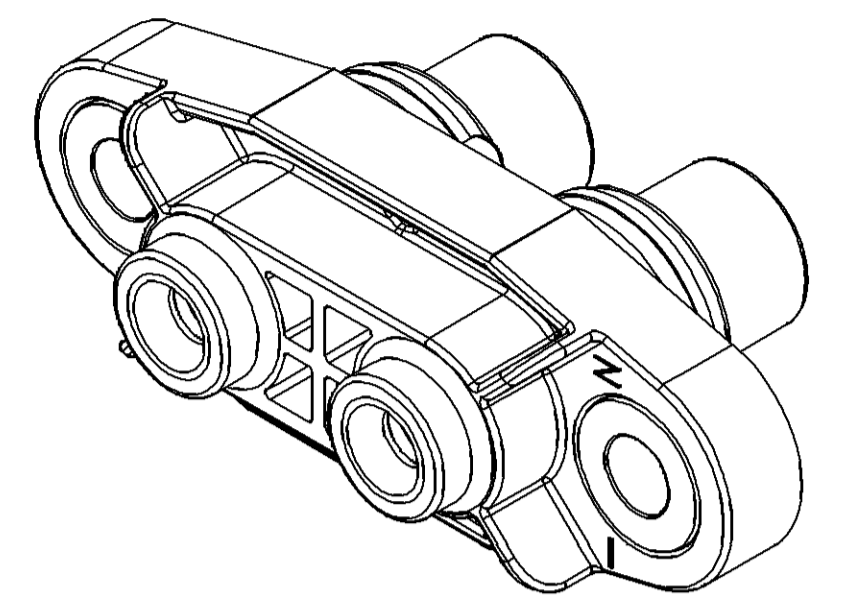
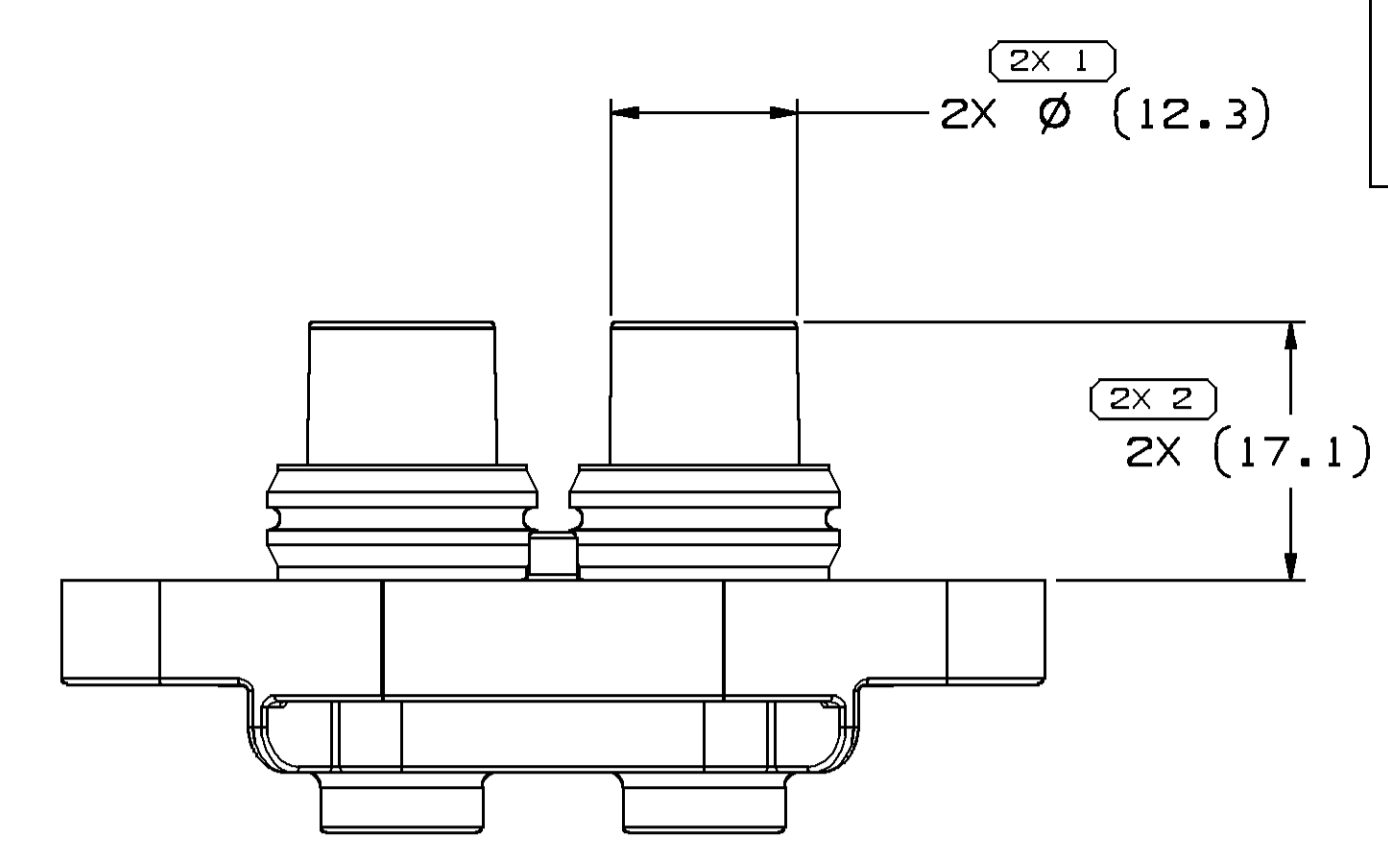
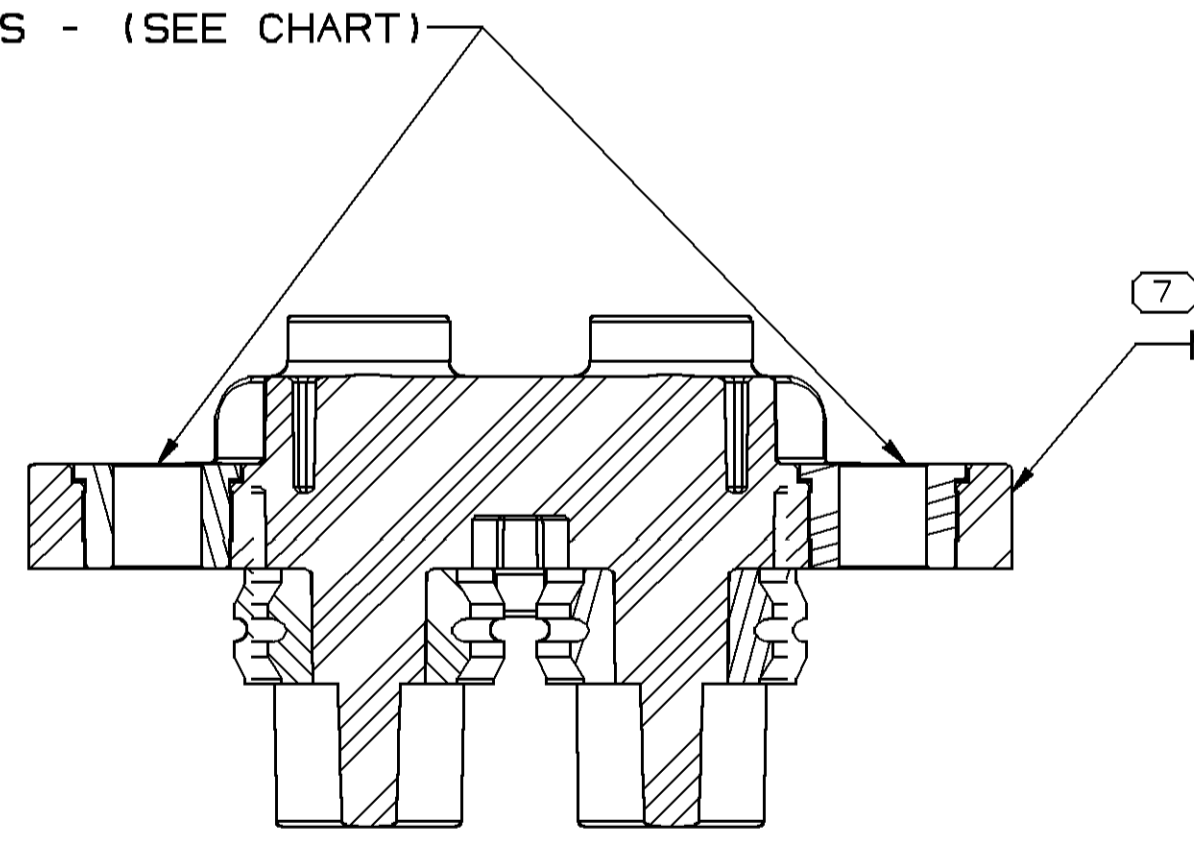


SYMBOL DEFINITION		MISSING SYMBOLS	
A DIMENSION WITHOUT AN INSPECTION REPORT SYMBOL DOES NOT REQUIRE INSPECTION. IT MAY BE CONTROLLED ON THE INDIVIDUAL COMPONENT DRAWING.	TOTAL NO OF INSPECTIONS REQUIRED	NO MISSING SYMBOL NUMBER	13
	LAST NO. USED		9

DWG STATUS					REVISION HISTORY				AUTH	DR	APVD1	APVD2
DATE	STG	REV	N/P	CHG	ZONE							
08SE09	R	01	-	-		RELEASED		408854	ECB	AUG	CSD	
02DE09	R	02	-	-		REVISED GRAPHICS		409582	ECB	AUG	CSD	
18JA10	R	02	AA	-		REVISED GRAPHICS		409746	JRL	JRL	CSD	
01MR10	R	02	AB	-		REVISION 02AA WAS 03 FOR AUTH NUMBER 409746 AND REVISED GRAPHICS		410136	DGL	DGL	CSD	
05AP11	R	03	-	-		UPDATED MOUNTING FLANGE COMOLD & REFERENCE MATING COMPONENTS NOTE		413852	AHY	JAA	CSD	



2X 6  
2X PRESS FIT BUSHINGS - (SEE CHART)



7 MOUNTING FLANGE COMOLD ASSEMBLY - (SEE CHART)

NOTES

- UNLESS OTHERWISE SPECIFIED AND/OR INDICATED:  
DIMENSIONS ARE TO FACE OF VIEW SHOWN AND AUTOMATICALLY ROUNDED BY COMPUTER FOR INSPECTION (SEE MATH MODEL FOR PRECISE DIMENSIONS). FOR ALL OTHER DIMENSIONS NOT SHOWN BUT REQUIRED FOR TOOL BUILD, SEE MATH MODEL FOR PRECISE TOOL PATH DATA.
- THIS PRODUCT IS NOT CATEGORIZED AS AN APPEARANCE ITEM, MINOR IMPERFECTIONS INCLUDING, BUT NOT LIMITED TO, FLOW MARKS, COLOR BLEMISHES, GATE VESTIGE, AND SOFT FLASH THAT DO NOT AFFECT THE FIT, FORM, OR FUNCTION OF THE PART ARE PERMISSIBLE PER DPNP-4.7-CS-01.
- REFERENCE MATING COMPONENTS OR EQUIVALENT:  
MATING DETAIL PRINT - 13773157  
TERM FERRULE COAX - 13770903 (2 PLCS)
- THIS COMPONENT ACCEPTS COAX CABLE WITH AN OUTER DIAMETER OF 5.38MM - 5.64MM
- WHEN INSTALLING COMPONENT ON WIRE, DOW 550 PROCESSING AGENT MAY BE APPLIED TO THE OD OF THE WIRE TO REDUCE SEAL TO WIRE SLIDING FORCES.

SECTION A - A

13786044	13773154	13773156
PART NO	MOUNTING FLANGE COMOLD ASM	PRESS FIT BUSHING - 2 PLCS

5 PROCESS SENSITIVE DIMENSION		CHART E1	
DIMENSIONS ENCLOSED IN ( ) INDICATE REFERENCE DIMENSIONS AND NO TOLERANCE LIMITS ARE ESTABLISHED	FROM	TO	TOLERANCE UNLESS OTHERWISE SPECIFIED
	> 0	> 30	±0.15
	> 20	70	±0.2
	> 30	100	±0.3
	> 70	150	±0.4
	> 100	200	±0.5
	> 150	250	±0.6
	> 200	300	±0.8
	> 250	300	±1
	> 300	400	±1.2
ANGULAR TOLERANCE ±2°			

DWG TYPE		PART DRAWING	
STYLE			
VOLUME (C/P)	DISTR CODE		
	D		
UNLESS OTHERWISE SPECIFIED			
THIS DOCUMENT IS IN ACCORDANCE WITH ASME Y14.5M-1994 AS AMENDED BY THE GM GLOBAL DIMENSIONING AND TOLERANCING ADDENDUM-2001. SEPARATE PATTERNS OF FEATURES MAY BE GAGED SEPARATELY REGARDLESS OF DATUM REFERENCES.			
ALL DIMENSIONS ARE IN MILLIMETERS			
REFERENCE			

THIRD ANGLE PROJECTION	DO NOT SCALE
USE MATH DATA	

**DELPHI**  
DELPHI PACKARD ELECTRICAL/ELECTRONIC ARCHITECTURE  
WARREN, OH

DR	DATE
APVD1 E.A. CACHO	08SE09
APVD2 A UGALDE G	10SE09
APVD3 CHRIS S. DEPROFIO	11SE09
APVD4	
APVD5	

SUBSTANCES OF CONCERN AND RECYCLED CONTENT PER DELPHI 10949001

MATERIAL SEE DRAWING

DRAWING NAME  
ASM MOUN FLANGE

DRAWING NUMBER  
13786044

SIZE	SCALE	FRAME NO	SHEET NO	STG	REV	N/P
A1	2:1	1 OF 1	1 OF 1	R	03	-