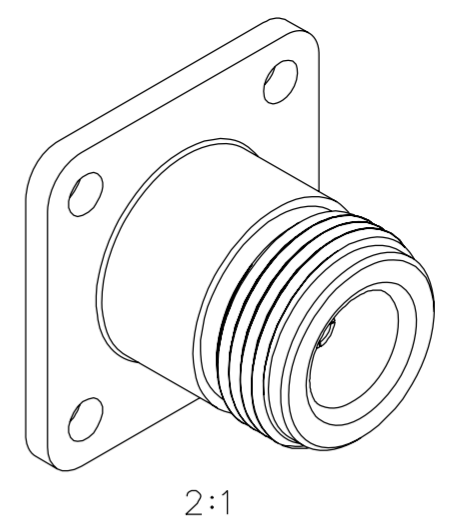
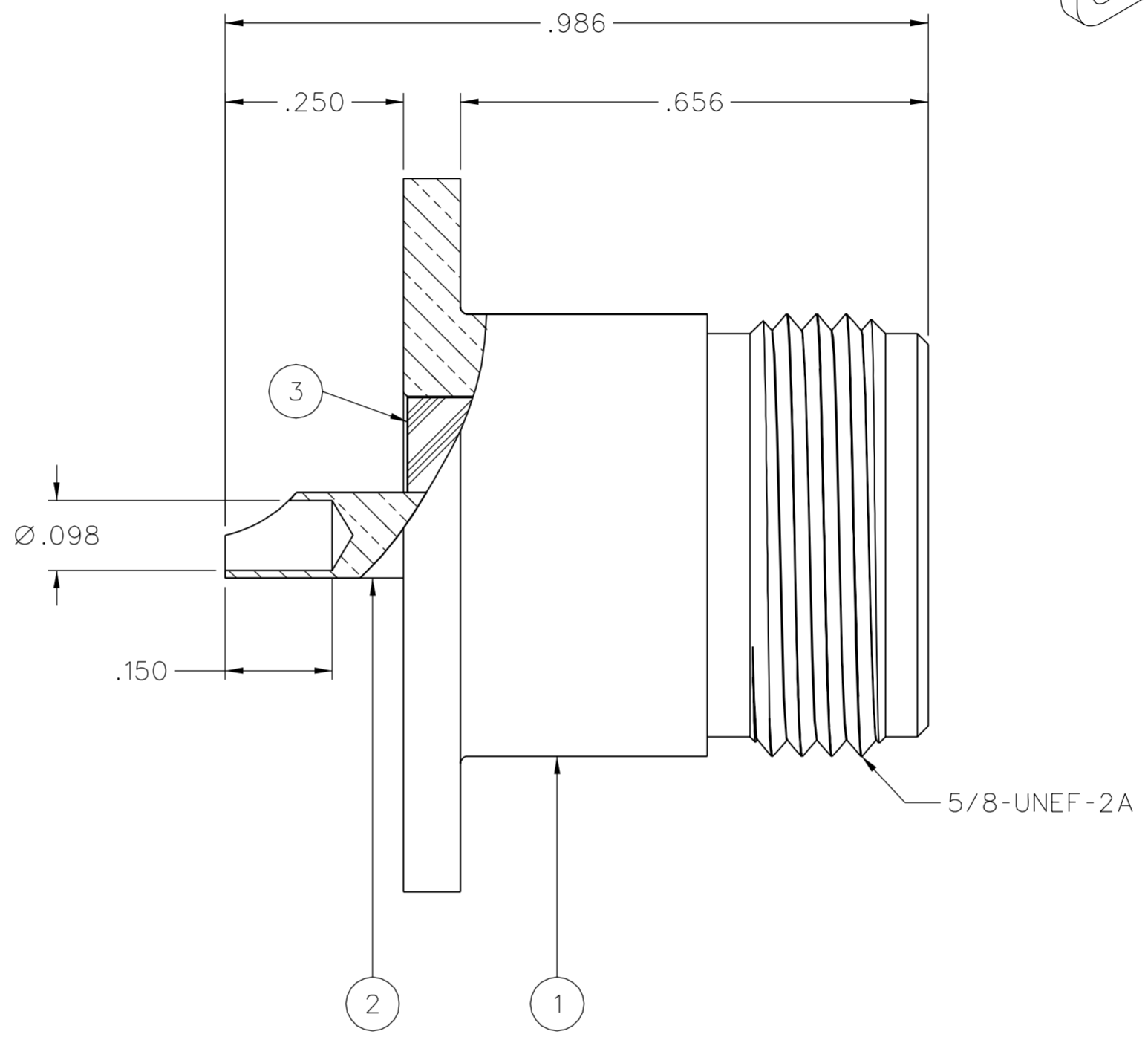
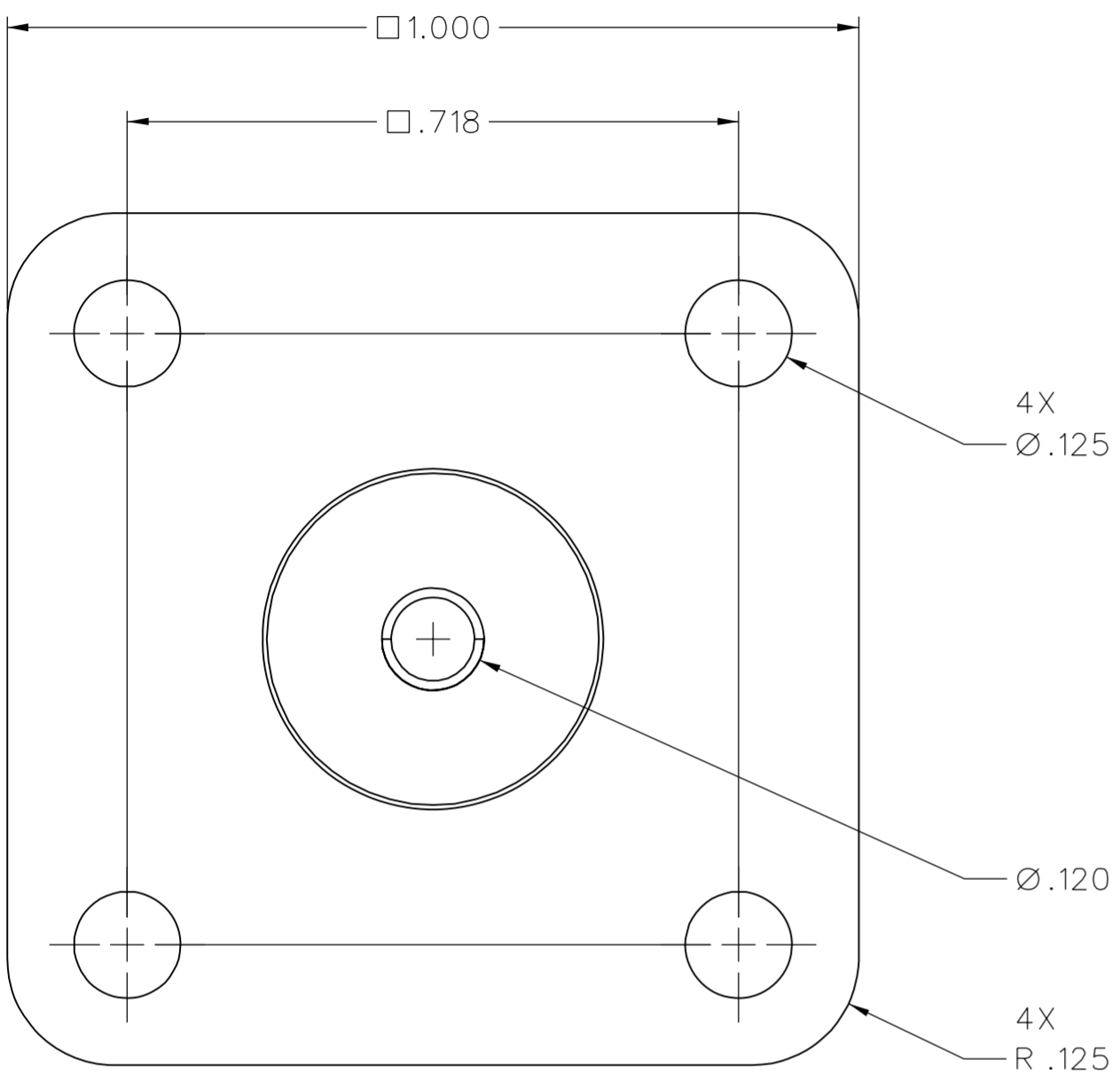


PART NUMBER	ITEM ① BODY	ITEM ② CONTACT	ITEM ③ FRONT INSULATOR
138-4701-606	BRASS NICKEL PL .0001 MIN OVER COPPER PL .00005 MIN	BERYLLIUM COPPER GOLD PL .00005 MIN OVER NICKEL PL .00005 MIN OVER COPPER PL .00005 MIN	TEFLON
138-4701-607	BRASS TRI-ALLOY PL .0001 MIN	BERYLLIUM COPPER GOLD PL .00005 MIN OVER NICKEL PL .00005 MIN OVER COPPER PL .00005 MIN	TEFLON



DRAWING NO. C - 138-4701-601/610					
0 REVISIONS					
ENGINEERING RELEASE					
1	2-27-06	P A T	J R K	M J U	5-23-06 ECN 50311

NOTES:

1. SPECIFICATIONS:
- IMPEDANCE: 50 OHMS
  - FREQUENCY RANGE: 0-11 GHz
  - VSWR: NOT APPLICABLE
  - WORKING VOLTAGE: 1000 VRMS MAX AT SEA LEVEL
  - DIELECTRIC WITHSTANDING VOLTAGE: 2500 VRMS MIN AT SEA LEVEL
  - INSULATION RESISTANCE: 5000 MEGOHM MIN
  - CONTACT RESISTANCE:
    - CENTER CONTACT - INITIAL 1.0 MILLIOHM MAX, AFTER ENVIRONMENTAL 1.5 MILLIOHM MAX
    - OUTER CONDUCTOR - INITIAL 0.2 MILLIOHM MAX, AFTER ENVIRONMENTAL NOT APPLICABLE
  - CORONA LEVEL: 500 VOLTS MIN AT 70,000 FEET
  - INSERTION LOSS: NOT APPLICABLE
  - RF LEAKAGE: NOT APPLICABLE
  - RF HIGH POTENTIAL WITHSTANDING VOLTAGE: 1000 VRMS AT 4 AND 7 MHz
  - THIRD ORDER INTERMODULATION PRODUCT (IMP3): TYPICALLY < -90 dBm  
(TESTED PER IEC GUIDELINES WITH 20W CW INPUTS AT 1930-1990 MHz)

MECHANICAL:

- ENGAGE/DISENGAGE TORQUE: 6 IN-LBS MAX
- MATING TORQUE: 7-10 IN-LBS
- COUPLING PROOF TORQUE: NOT APPLICABLE
- COUPLING NUT RETENTION: NOT APPLICABLE
- CONTACT RETENTION: 6 LBS MIN AXIAL FORCE  
4 INCH-OUNCE MIN TORQUE
- DURABILITY: 500 CYCLES MIN

ENVIRONMENTAL:

- (MEETS OR EXCEEDS THE APPLICABLE PARAGRAPH OF MIL-PRF-39012)
- THERMAL SHOCK: MIL-STD-202, METHOD 107, CONDITION B, EXCEPT 85°C HIGH TEMP
- OPERATING TEMPERATURE: -65°C TO 165°C
- CORROSION: MIL-STD-202, METHOD 101, CONDITION B
- SHOCK: MIL-STD-202, METHOD 213, CONDITION 1
- VIBRATION: MIL-STD-202, METHOD 204, CONDITION B
- MOISTURE RESISTANCE: MIL-STD-202, METHOD 106

CUSTOMER DRAWING

THIS DRAWING TO BE INTERPRETED PER ASME Y 14.5M - 1994

"μ STATION"

COMPANY CONFIDENTIAL

TOLERANCE UNLESS OTHERWISE SPECIFIED		DRAWN BY	DATE
DECIMALS	mm	JRK	3-24-06
.XX	_____	CHECKED BY	DATE
.XXX REF	_____	PDW	5-22-06
MATL	_____	APPROVED BY	DATE
FINISH	_____	JRK/MJU	5-22-06
U/M	INCH	RELEASE DATE	5-23-06
	SCALE	5:1	

	<b>Cinch Connectivity Solutions</b> P.O. Box 1732 Waseca, MN 56093 1-800-247-8256	
	TITLE ASSEMBLY, TYPE N, FLANGE MOUNT JACK	
SHEET	DRAWING NO.	
2 OF 2	C - 138-4701-601/610	