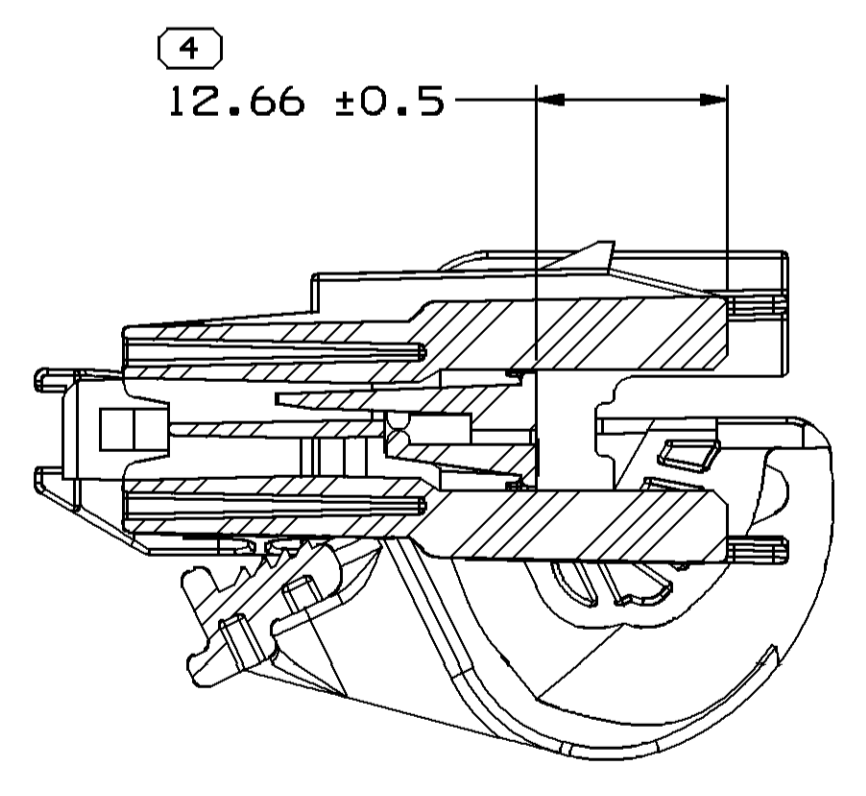
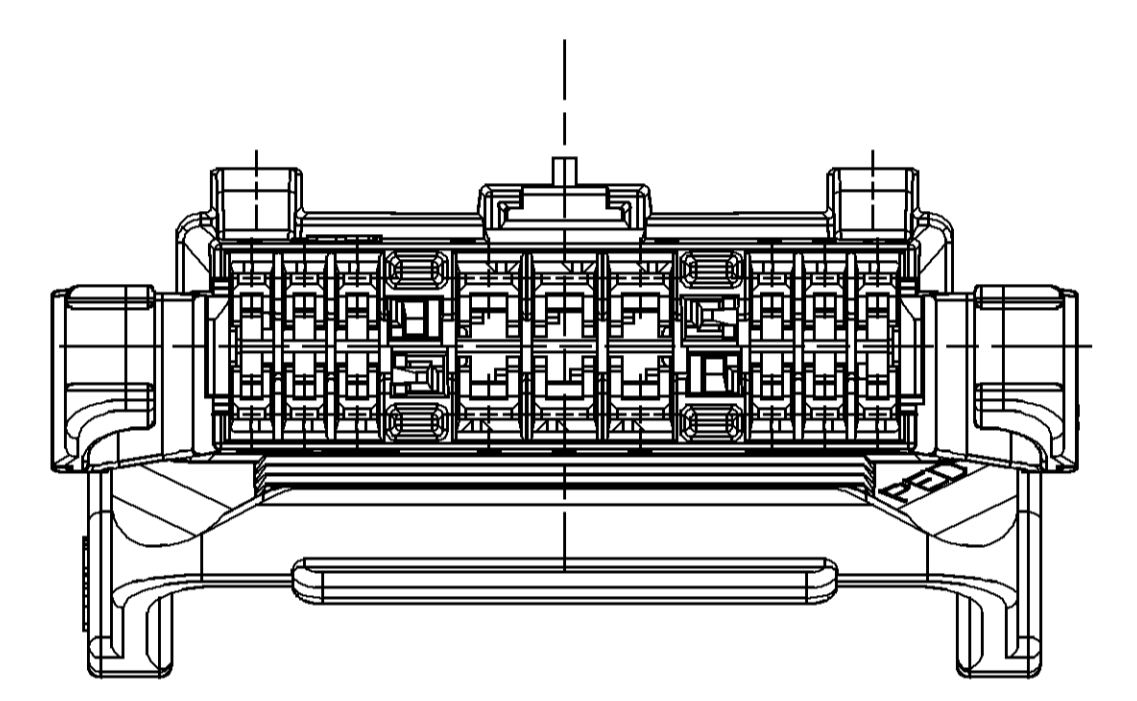
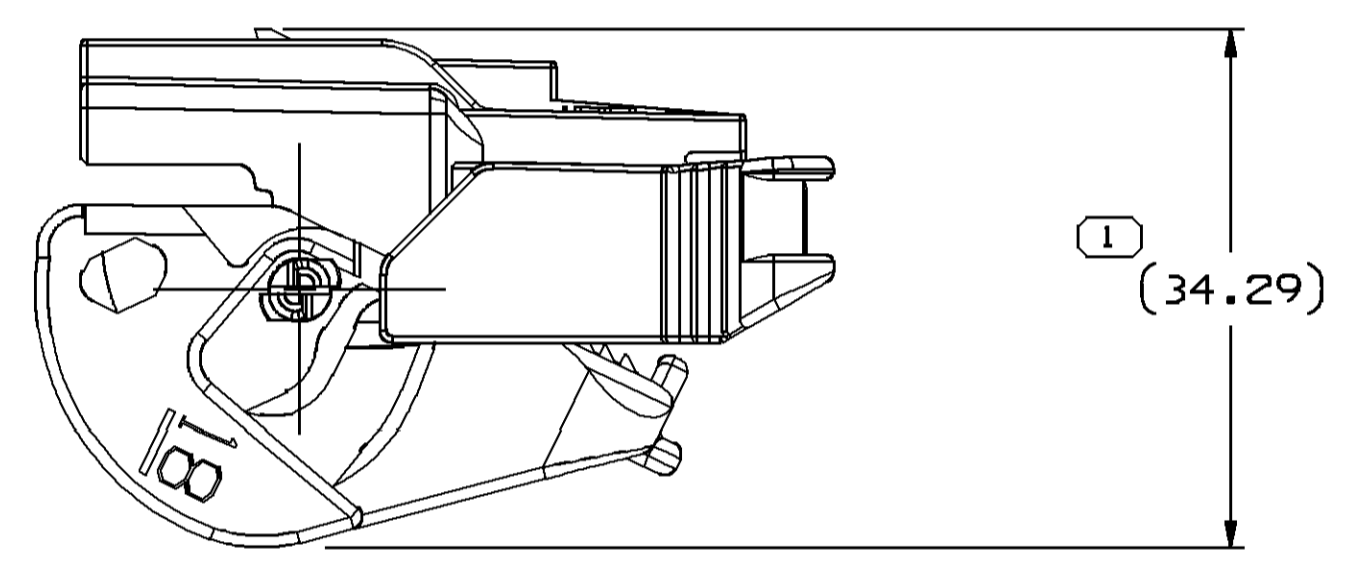
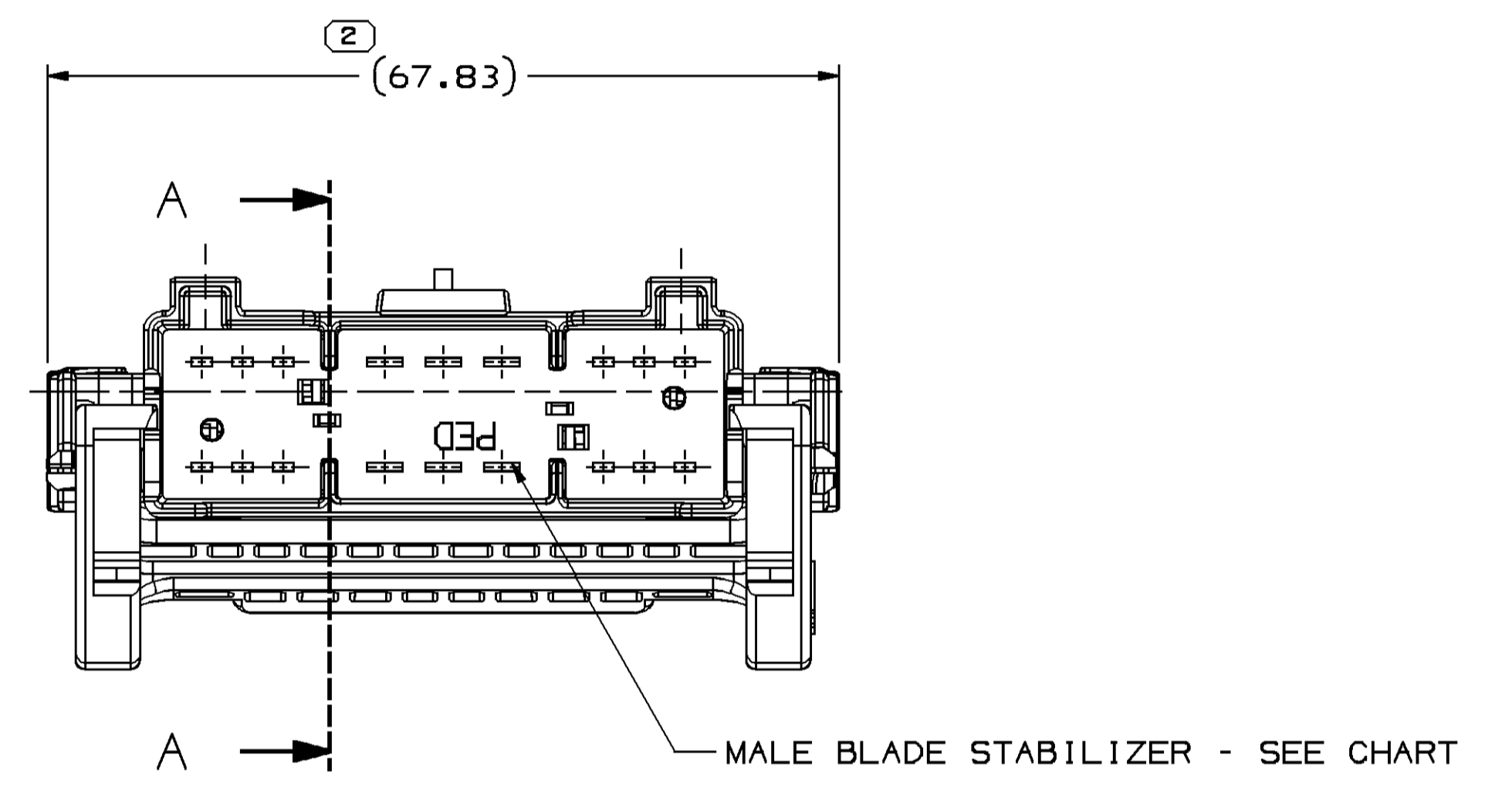
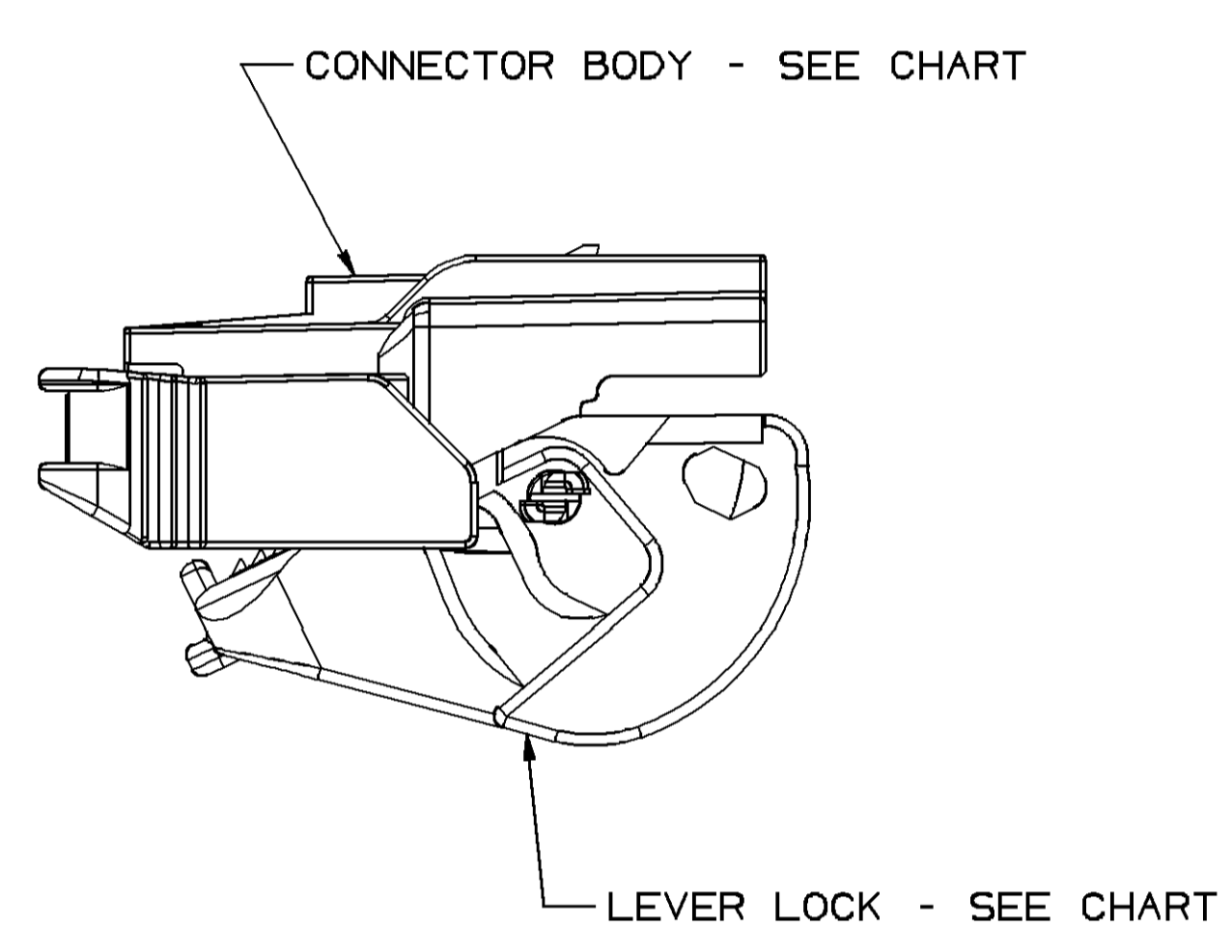
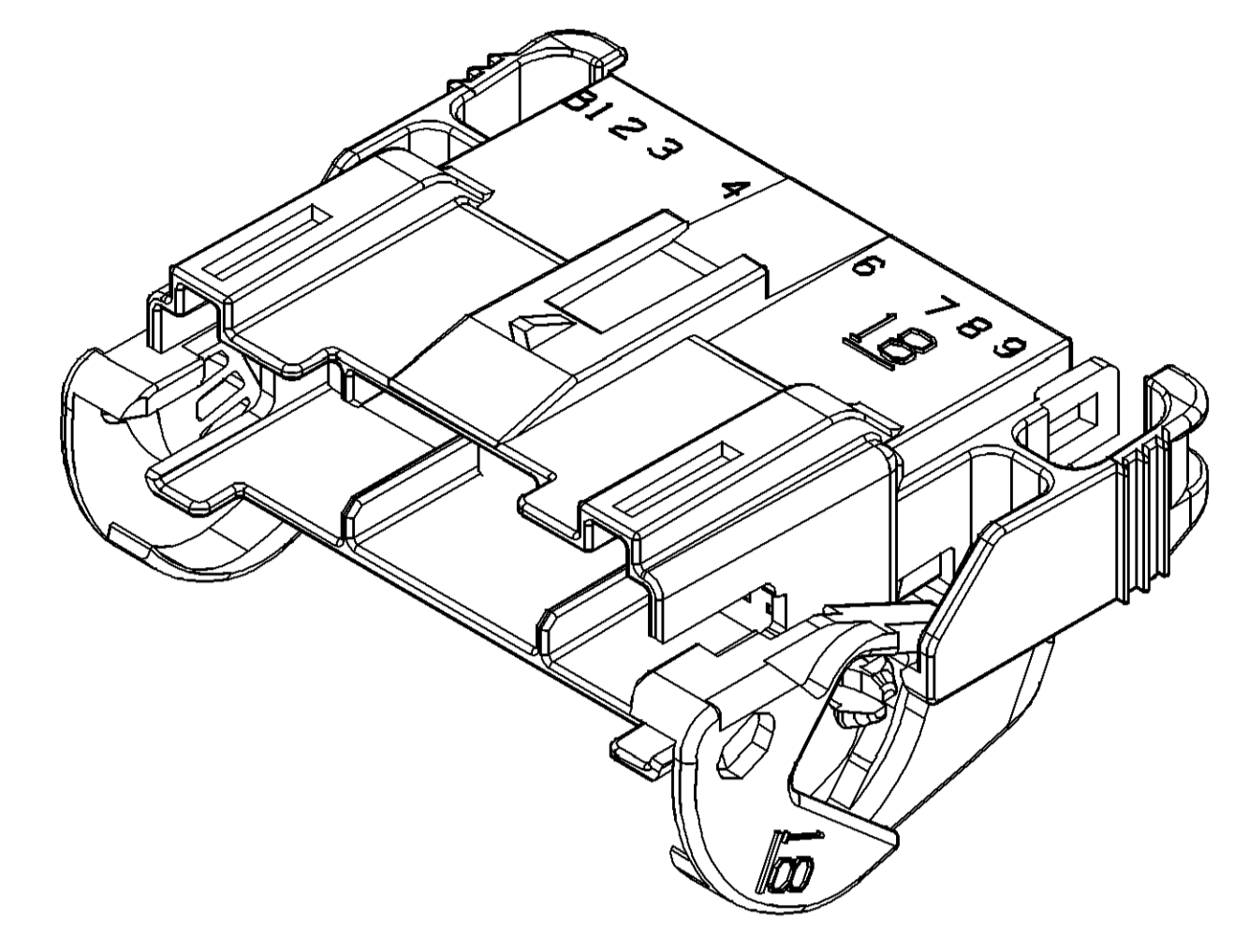
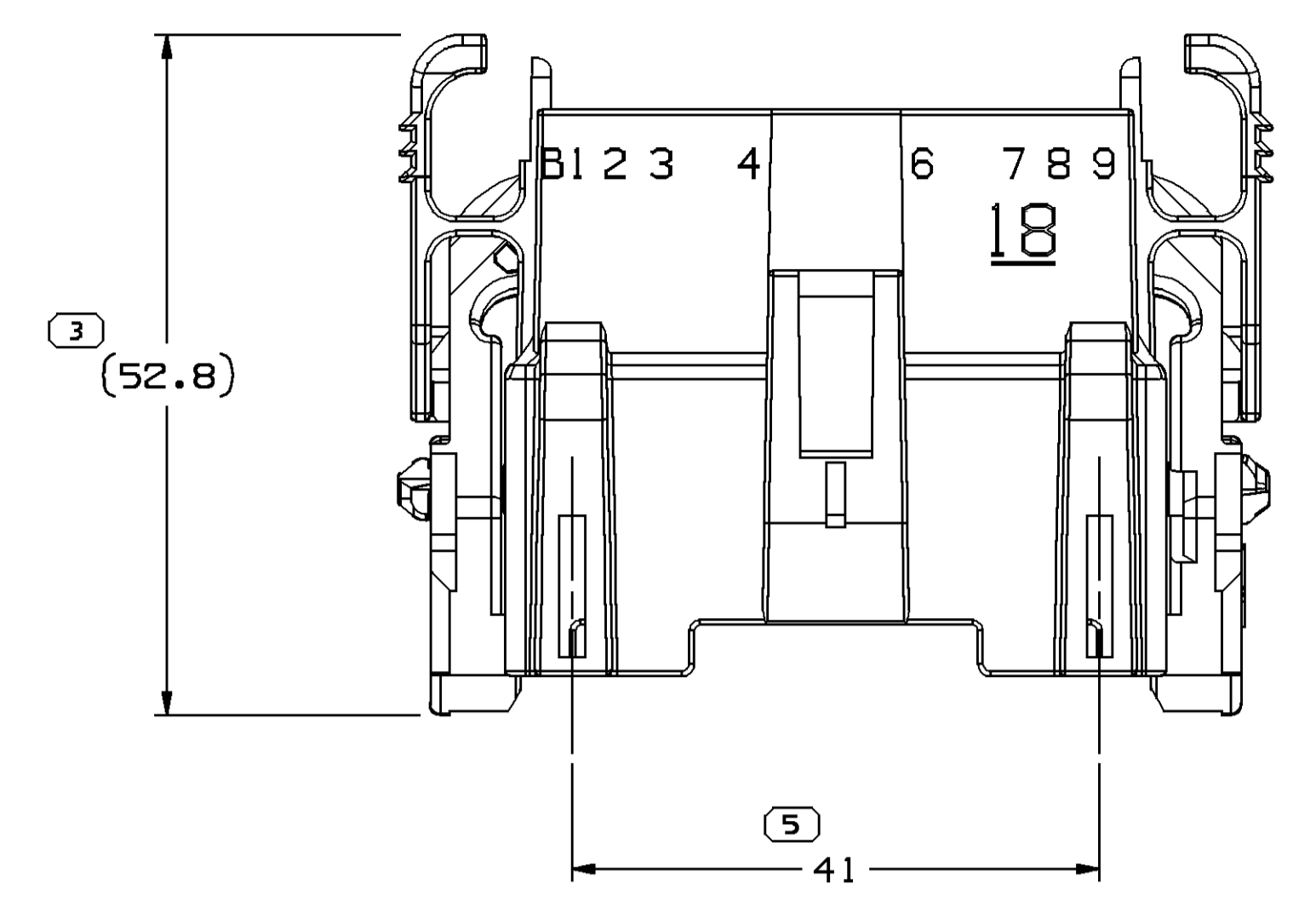
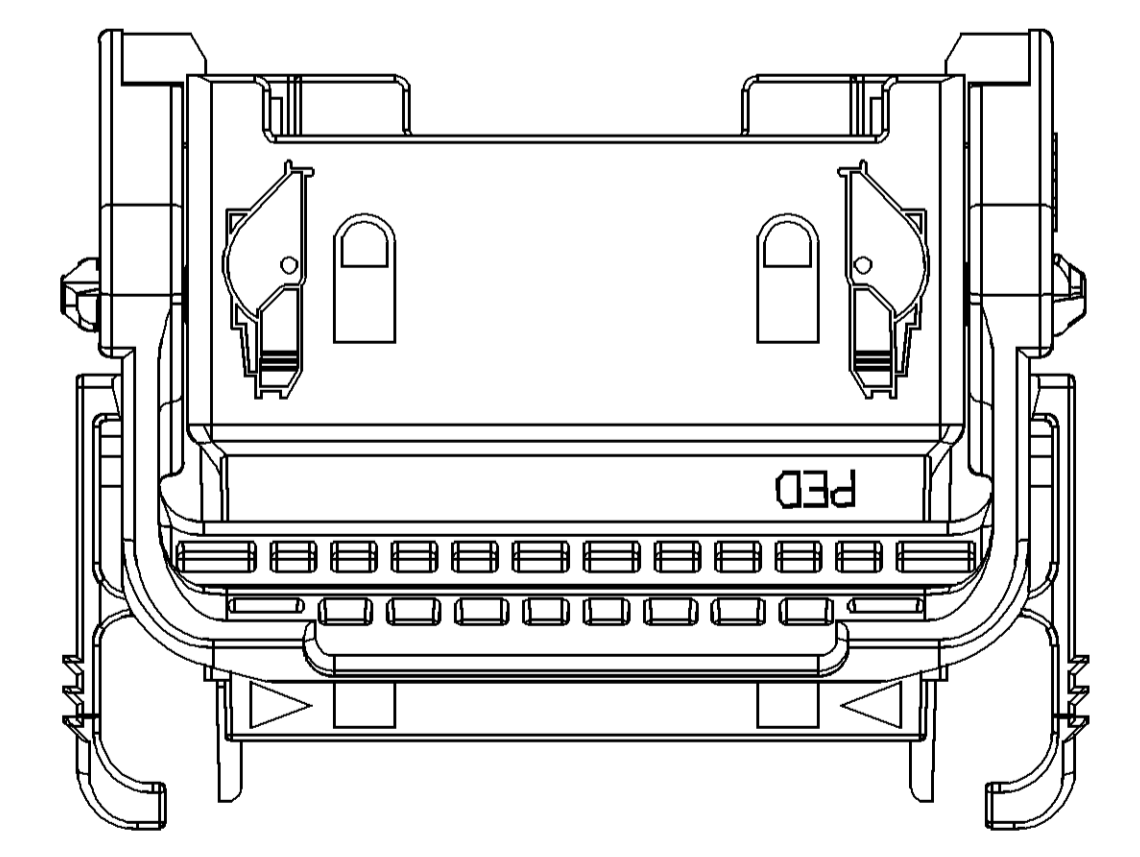


SYMBOL DEFINITION		MISSING SYMBOLS	
A DIMENSION WITHOUT AN INSPECTION REPORT SYMBOL DOES NOT REQUIRE INSPECTION. IT MAY BE CONTROLLED ON THE INDIVIDUAL COMPONENT DRAWING.	TOTAL NO OF INSPECTIONS REQUIRED	5	NO MISSING SYMBOL NUMBER
	LAST NO. USED	5	

DWS STATUS					REVISION HISTORY			AUTH	DR	APVD	APVD
DATE	STG	REV	N/P	CHG	ZONE						
01DE10	R	01	-	-		RELEASED		412686	BLG	BLG	MLP
11FE11	R	02	-	-		REVISED GRAPHICS		413298	JRL	JRL	MLP



SECTION A - A
 DIMENSION 4 LOCATING MALE BLADE STABILIZER IN PRE-STAGED POSITION
 MEASUREMENT TO BE TAKEN AT CROSS SECTION



- NOTES
- UNLESS OTHERWISE SPECIFIED AND/OR INDICATED:
 DIMENSIONS ARE TO FACE OF VIEW SHOWN AND AUTOMATICALLY ROUNDED BY COMPUTER FOR INSPECTION (SEE MATH MODEL FOR PRECISE DIMENSIONS). FOR ALL OTHER DIMENSIONS NOT SHOWN BUT REQUIRED FOR TOOL BUILD, SEE MATH MODEL FOR PRECISE TOOL PATH DATA.
 - THIS PRODUCT IS NOT CATEGORIZED AS AN APPEARANCE ITEM, MINOR IMPERFECTIONS INCLUDING, BUT NOT LIMITED TO, FLOW MARKS, COLOR BLEMISHES, GATE VESTIGE, AND SOFT FLASH THAT DO NOT AFFECT THE FIT, FORM, OR FUNCTION OF THE PART ARE PERMISSIBLE PER DPNP-4.7-CS-01.
 - TO BE USED WITH APPROPRIATE DELPHI PACKARD ELECTRIC SYSTEMS DESIGNED HOLDERS.
 - TO BE PROCESSED USING DELPHI PACKARD ELECTRIC SYSTEMS BEST PRACTICE METHOD OR CUSTOMER ASSEMBLY INSTRUCTIONS.
 - FOR APPLICATION DATA SEE THE APPLICATION DRAWING.

PART DRAWING	
DRG TYPE	PART DRAWING
STYLE	
VOLUME (QWP)	DISTR CODE
UNLESS OTHERWISE SPECIFIED	
THIS DOCUMENT IS IN ACCORDANCE WITH ASME Y14.5M-1994 AS MODIFIED BY THE 2003 SUPPLEMENT AND TELEPHANING ADDENDUM-2001. SEPARATE PATTERNS OF FEATURES MAY BE SHOWN SEPARATELY, REGARDLESS OF DATA REFERENCES.	
ALL DIMENSIONS ARE IN MILLIMETERS	
REFERENCE	

DELPHI
 DELPHI PACKARD ELECTRICAL/ELECTRONIC ARCHITECTURE
 WARREN, OH

DR	DATE
APV01 G. LOPEZ G.	01DE10
APV02 G. LOPEZ G.	01DE10
APV03 MATTHEW L. PENN	03DE10
APV04	
APV05	

SUBSTANCES OF CONCERN AND RECYCLED CONTENT PER DELPHI (0944900)

MATERIAL SEE DRAWING

DRAWING NAME
 ASM CONN 18 M 6T 150 280

DRAWING NUMBER
 13839176

SIZE A0 SCALE 2:1 FRAME NO 1 OF 1 SHEET NO 1 OF 1 REV N/P R 02 -

PART NO	REV	N/P	STATUS	CONNECTOR BODY	LOCK CAM LEVER	MALE BLADE STABILIZER
13839176	02	-	-	15336468	13839166	15418982

DIMENSIONAL RANGE (MM)		CHART SET	
FROM	> 0	> 20	> 30
TO	20	30	40
TOLERANCE UNLESS OTHERWISE SPECIFIED		ANGULAR TOLERANCE ±2°	
±0.15	±0.2	±0.3	±0.4
±0.5	±0.6	±0.8	±1
±1.2			