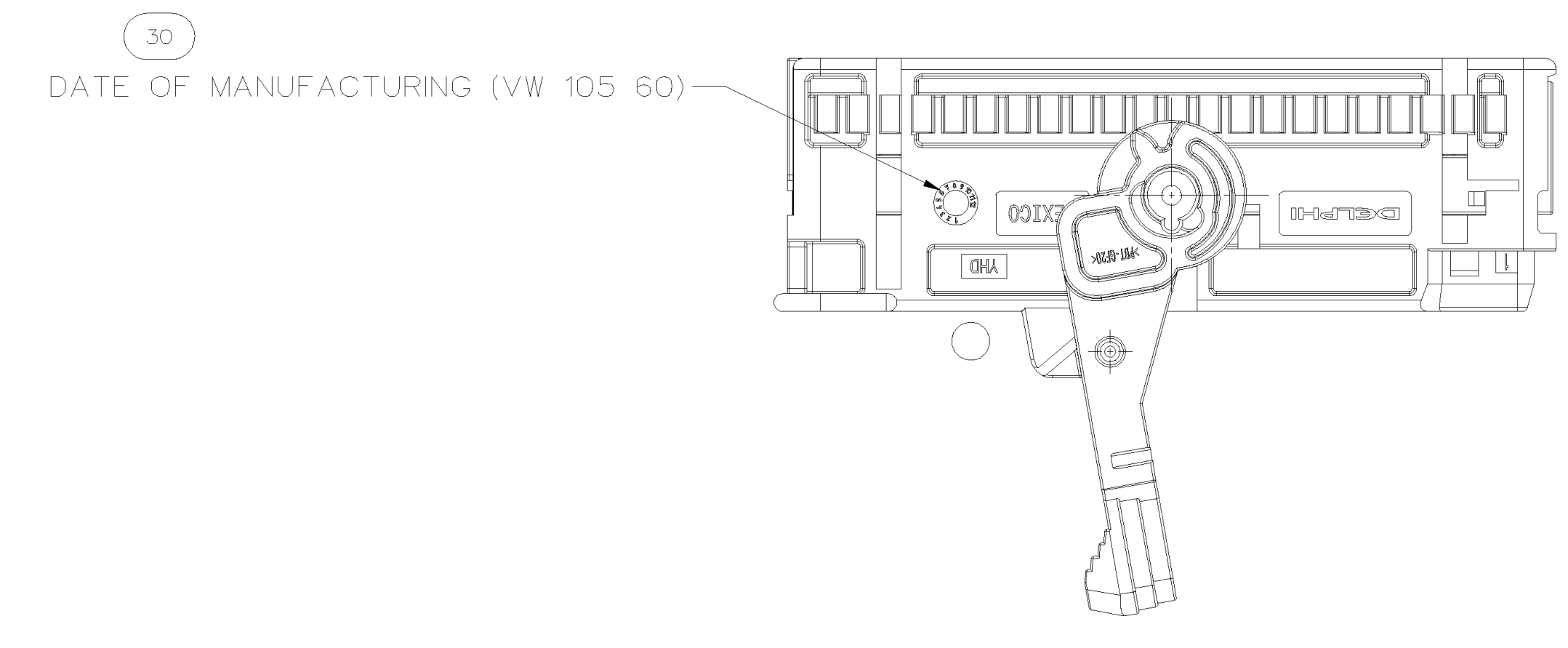
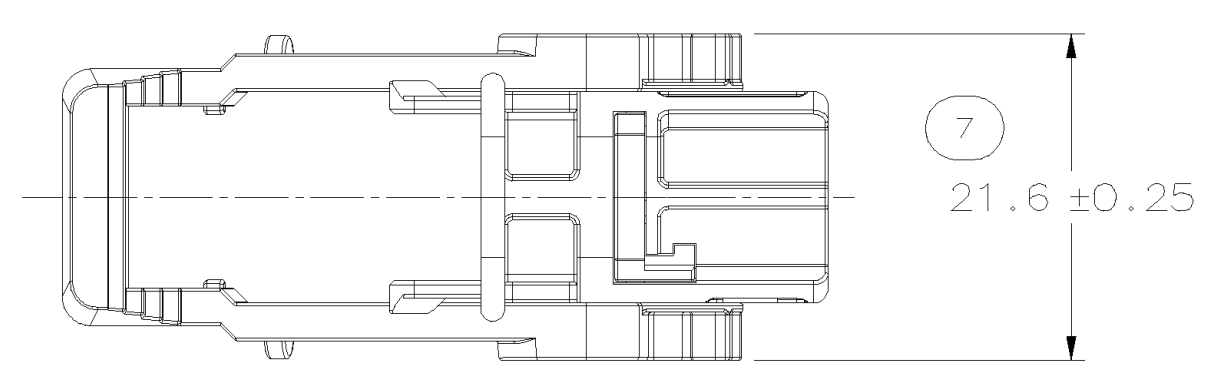
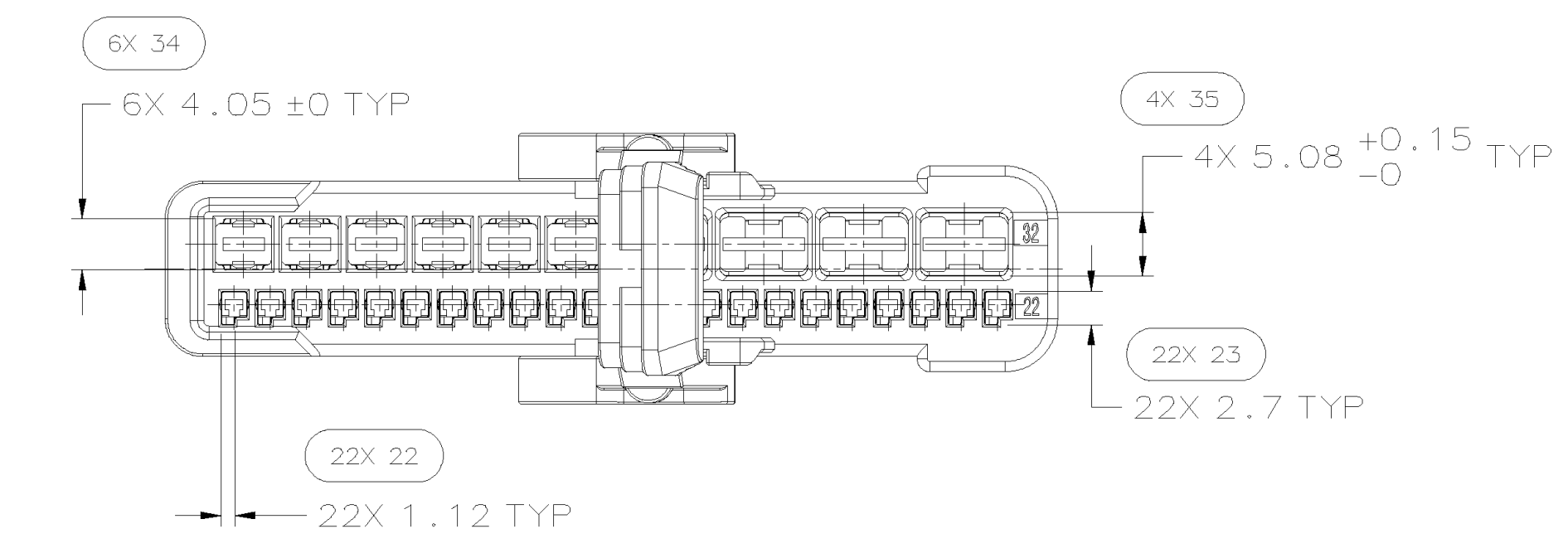
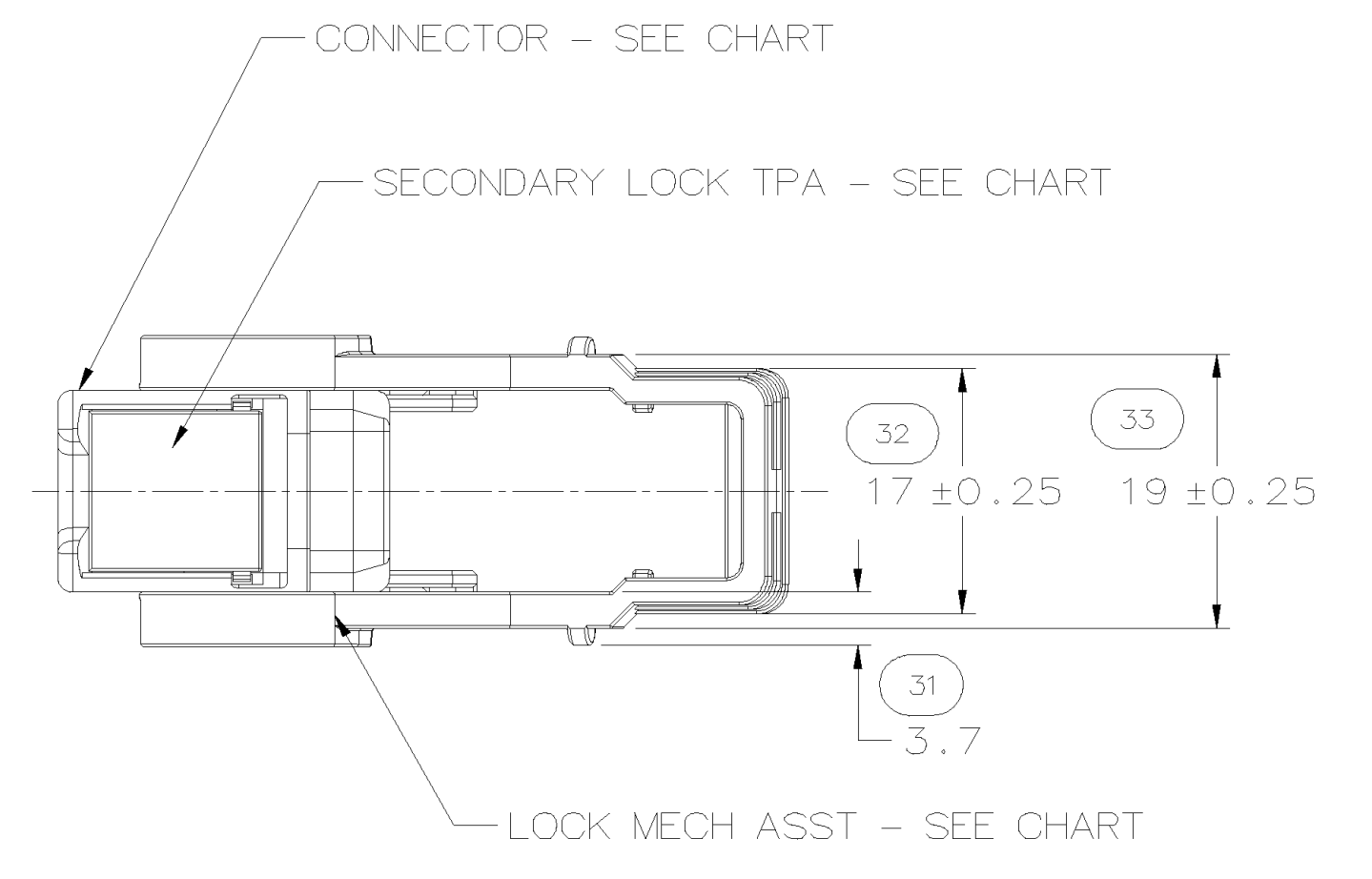
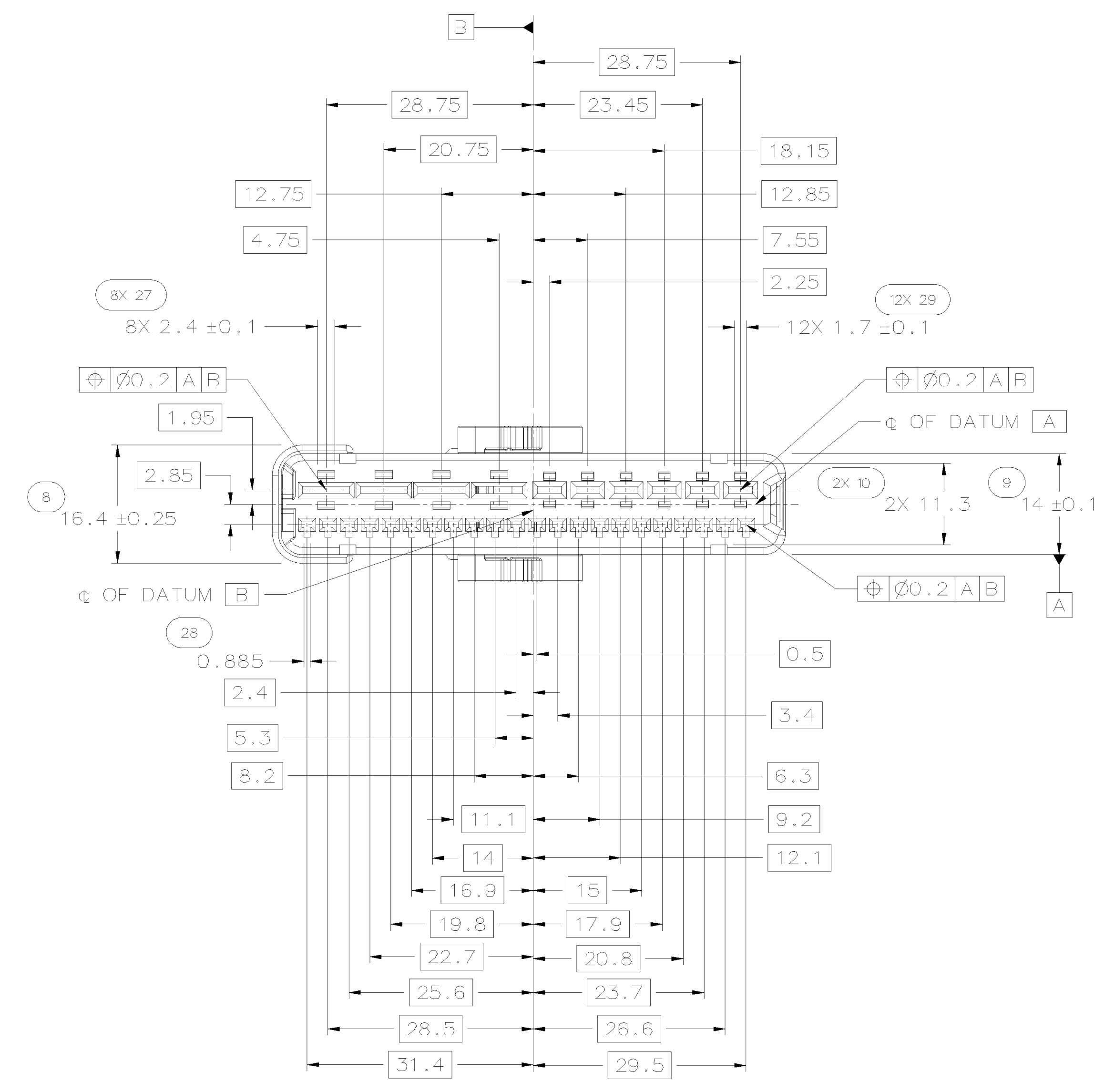
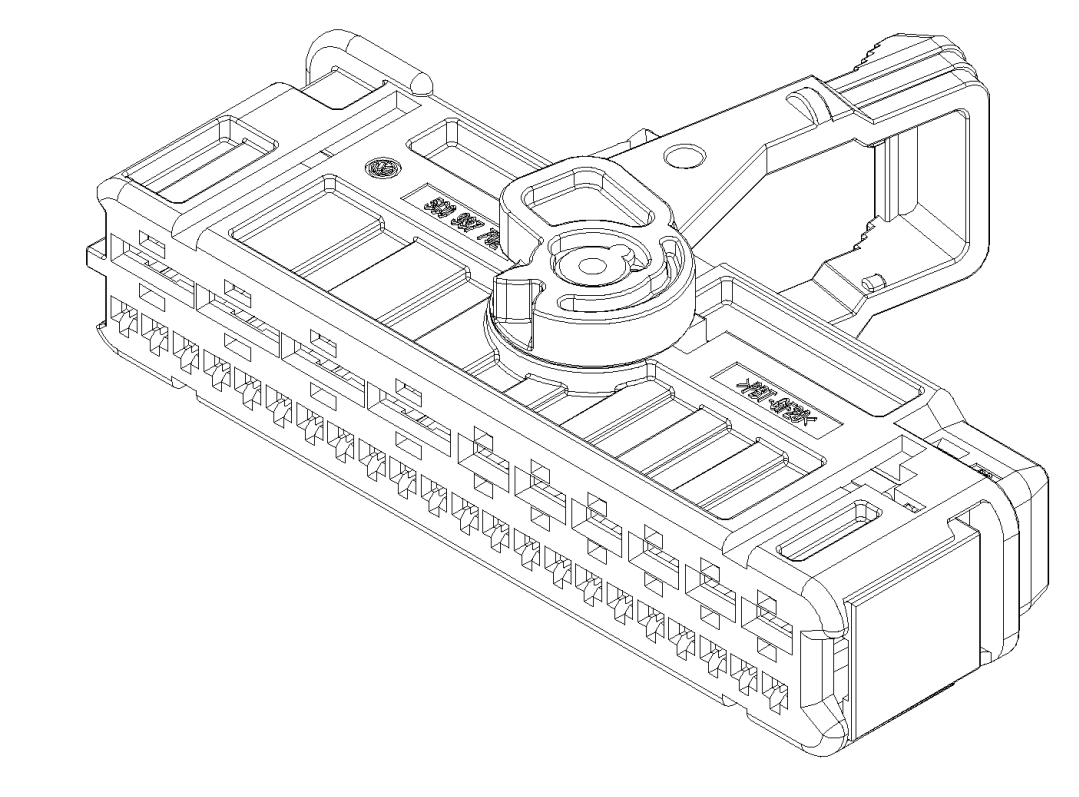
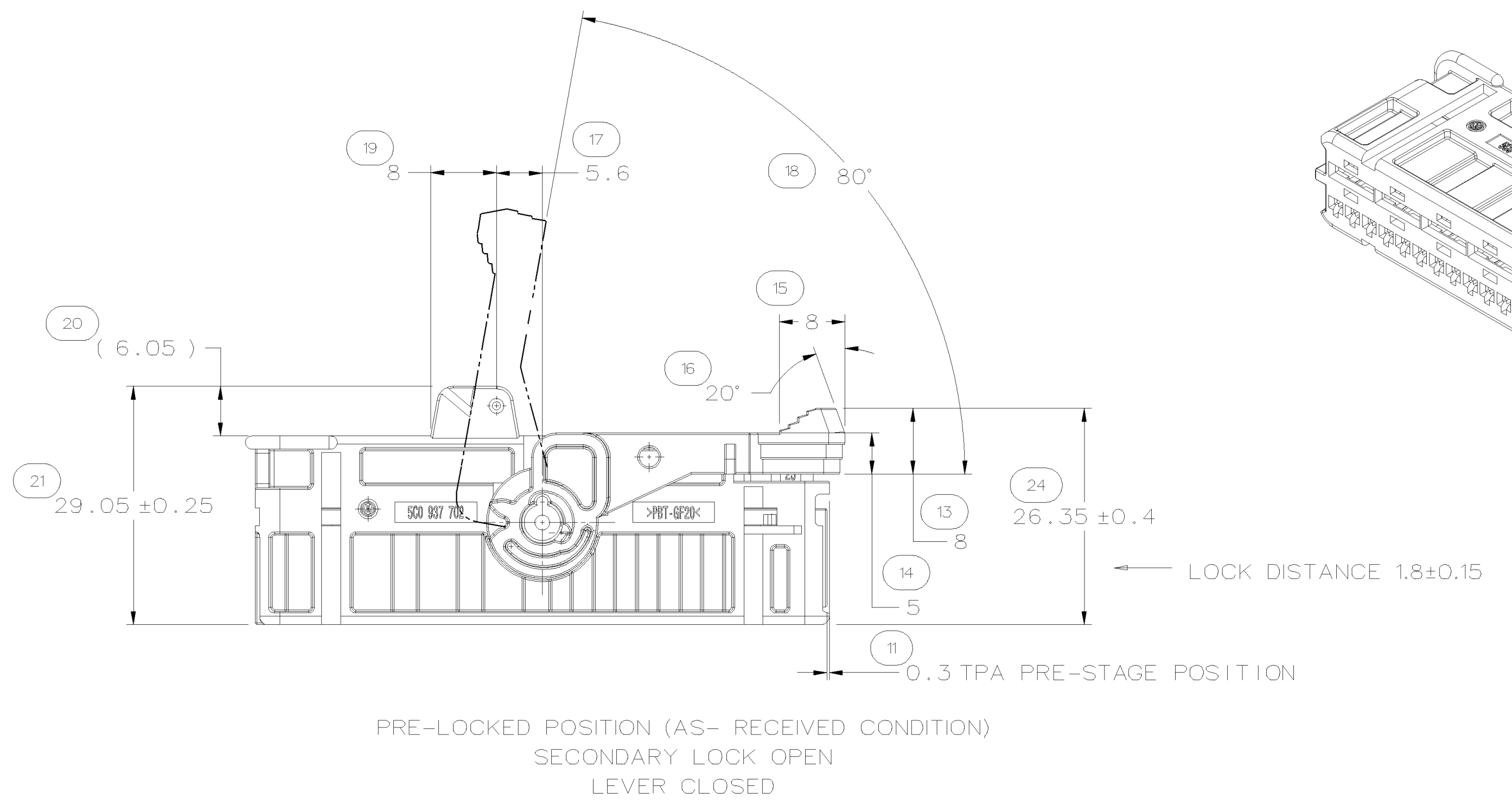
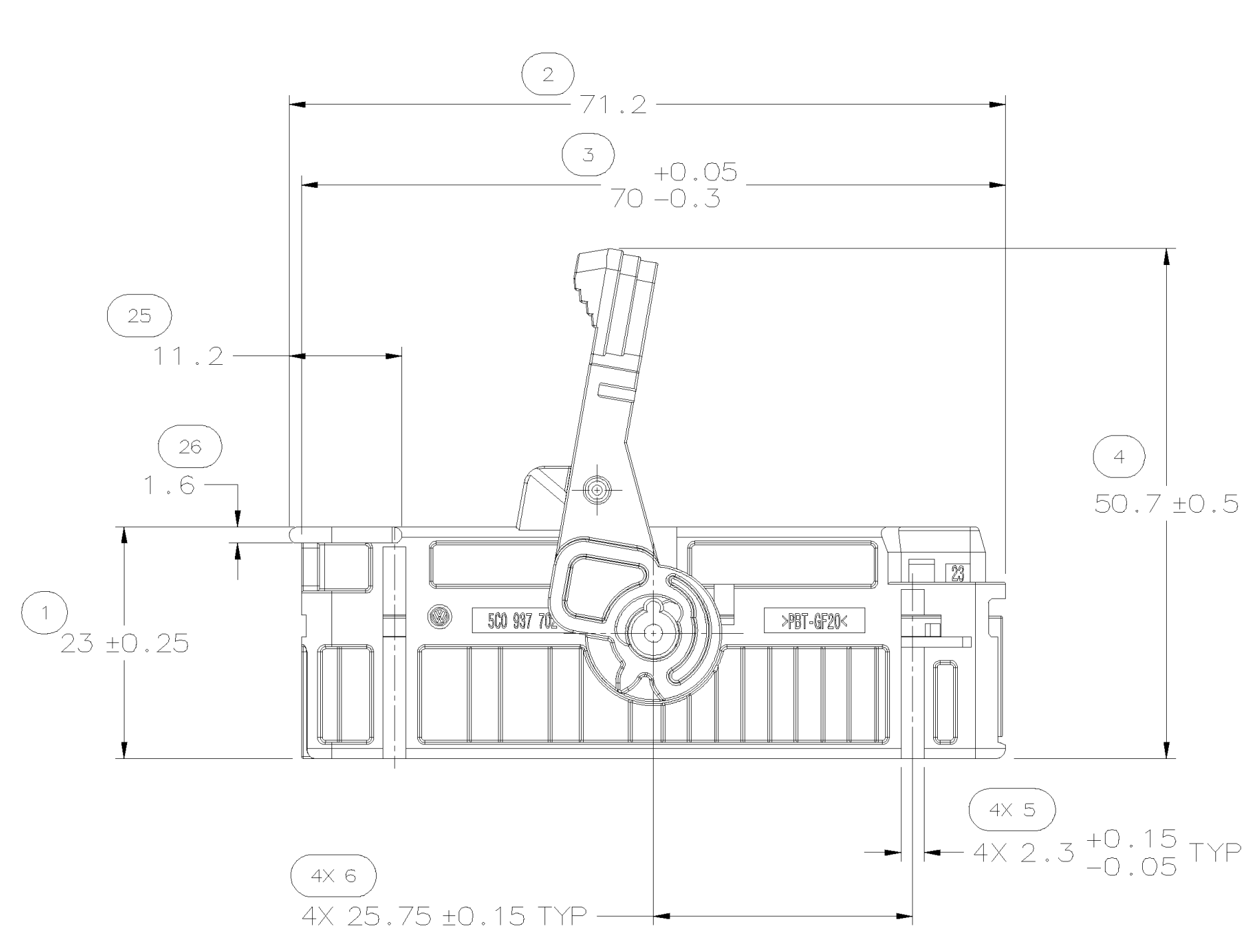


SYMBOL DEFINITION		TOTAL NO. OF INSPECTIONS REQUIRED.	MISSING SYMBOL
A DIMENSION WITHOUT AN INSPECTION REPORT SYMBOL DOES NOT REQUIRE INSPECTION. IT MAY BE CONTROLLED ON THE INDIVIDUAL COMPONENT DRAWING.		109	12
		LAST NO. USED	35

DRG STATUS						REVISION HISTORY				AUTH	DR	APVD	DATE
DATE	STG	REV	N/P	CHG	ZONE								
05NOV10	R	01	-	-		RELEASED				412262	EVV	EVV	JTG
01MRT11	R	02	-	-		UPDATED CONN AND LOCK MECH ASST				413345	JTV	JTV	JTG
08JUN11	R	03	-	-		ADDED DMS (22 PLCS), REVISED TOL (2 PLCS), ADDED PRE-LOCKED POSITION VIEW, REVISED SECONDARY LOCK. PSD #AS #5 AND 4X 25.75 ±0.15 TYP WAS 4X 24.6 ±0.15 TYP				414174	JTV	JTV	JTG
29JAN15	R	03	AA	-		UPDATED CONN (ADDED MANUFACTURE'S CODE)				428695	JTV	JTV	JGR



NOTES

- UNLESS OTHERWISE SPECIFIED AND/OR INDICATED:  
DIMENSIONS ARE TO FACE OF VIEW SHOWN AND AUTOMATICALLY ROUNDED BY COMPUTER FOR INSPECTION (SEE MATH MODEL FOR PRECISE DIMENSIONS). FOR ALL OTHER DIMENSIONS NOT SHOWN BUT REQUIRED FOR TOOL BUILD, SEE MATH MODEL FOR PRECISE TOOL PATH DATA.
- MATERIAL RECYCLING CODE PER ISO 11469. (1.5)X(0.1) CHARACTERS AS SHOWN TO BE LOCATED ON ANY EXTERIOR SURFACE.
- THIS PRODUCT IS NOT CATEGORIZED AS AN APPEARANCE ITEM, MINOR IMPERFECTIONS INCLUDING, BUT NOT LIMITED TO, FLOW MARKS, COLOR BLEMISHES, GATE VESTIGE, AND SOFT FLASH THAT DO NOT AFFECT THE FIT, FORM, OR FUNCTION OF THE PART ARE PERMISSIBLE PER DRNP-4.7-CS-01.
- (1.0) X (0.1) DELPHI CORPORATE BRAND TO BE LOCATED ON ANY EXTERIOR SURFACE, PREFERABLY VISIBLE AT FINAL ASSEMBLY.
- FOR APPLICATION DATA SEE THE APPLICATION DRAWING.
- THIS PRODUCT IS CONFORMANCE WITH THE VW TL1010 SPEC

13842549	13842554	13842556	13801838
PART NO	CONN	SECONDARY LOCK	LOCK MECH ASST

DIMENSIONAL RANGE (MM)		CHART 11	
FROM	TO	±0.15	±0.3
0	20	±0.15	±0.3
>20	30	±0.3	±0.6
>30	70	±0.4	±0.8
>70	100	±0.5	±1.0
>100	150	±0.6	±1.2
>150	200	±0.8	±1.5
>200	250	±1.0	±2.0
>250	300	±1.2	±2.5
>300	400	±1.5	±3.0

DRG TYPE: PART DRAWING	
STYLE:	
VOLUME (CM³): N/A	DISTR CODE: D
UNLESS OTHERWISE SPECIFIED	
THIS DOCUMENT IS IN ACCORDANCE WITH ASME Y14.5M-1994 AS AMENDED BY THE GM GLOBAL DIMENSIONING AND TOLERANCING ADDENDUM-2001. SEPARATE PATTERNS OF FEATURES MAY BE GAGED SEPARATELY REGARDLESS OF DATUM REFERENCES. ALL DIMENSIONS ARE IN MILLIMETERS.	
THIRD ANGLE PROJECTION	
DO NOT SCALE USE MATH DATA	

**DELPHI**  
DELPHI PACKARD ELECTRICAL/ELECTRONIC ARCHITECTURE  
WARREN, OH

DR	DATE
APV01 ELIAS VAZQUEZ V.	05NO10
APV02 ELIAS VAZQUEZ V.	05NO10
APV03 JORGE TORRES G.	08NO10
APV04	
APV05	SUBSTITUTES OF CONCRETE AND RECYCLED CONTENT PER DELPHI 10249001

MATERIAL: SEE DRAWING

DRAWING NAME: ASM CONN 32 F

DRAWING NUMBER: 13842549

SEE A0	SCALE: 2:1	FRAME NO: 1 OF 1	SHEET NO: 1 OF 1	STG: R	REV: 03	N/P: AA
--------	------------	------------------	------------------	--------	---------	---------